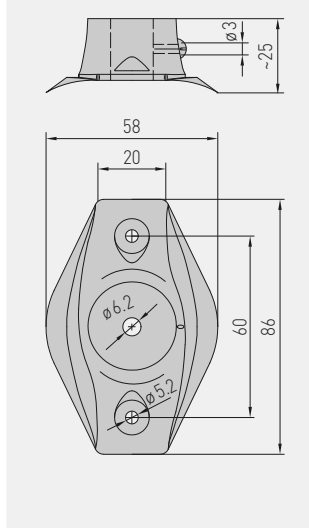


Mounting flange, plastic

Dimensional drawing **MF-06-K**

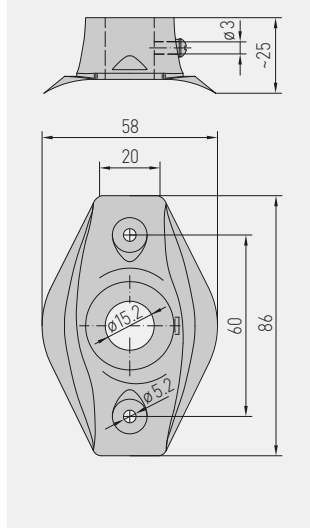


**MF-06-K**

Mounting flange, plastic



Dimensional drawing **MF-15-K**

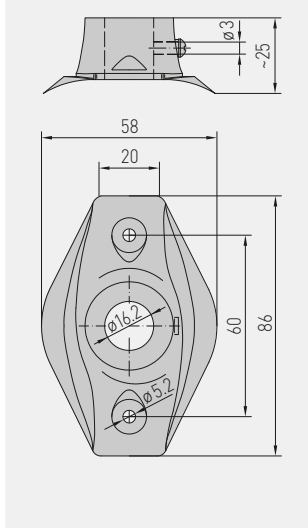


**MF-15-K**

Mounting flange, plastic



Dimensional drawing **MF-16-K**

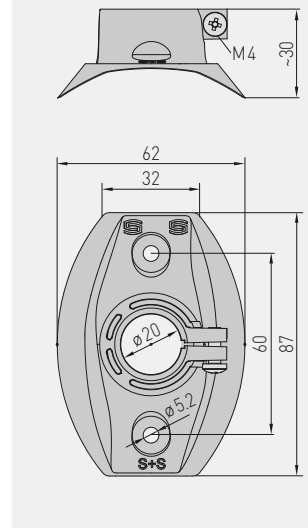


**MF-16-K**

Mounting flange, plastic



Dimensional drawing **MFT-20-K**



**MFT-20-K**

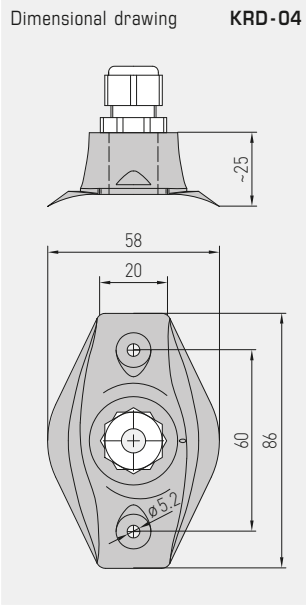
Mounting flange, plastic



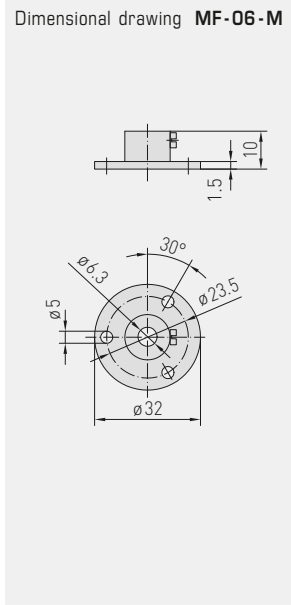
Type / WGO1	Mounting flange, plastic	Tube Gland	T <sub>max</sub>	Item No.	Price
<b>MF-K</b>	for metal protective tubes!				
<b>MF-06-K</b>	Mounting flange, plastic, approx. 58 x 86 x 25 mm for mean value temperature sensors MWTF and mean value temperature measuring transducers MWTM	Ø 6.2 mm	+100 °C	7100-0030-1000-000	<b>5,16 €</b>
<b>MF-14-K</b>	Mounting flange, plastic, approx. 58 x 86 x 25 mm for duct humidity sensors KFF / KFTF and pendulum room humidity sensors RPFF / RPTF as well as for duct air flow monitors KLGf / KLSW	Ø 14.2 mm	+100 °C	7100-0030-2000-000	<b>8,06 €</b>
<b>MF-15-K</b>	Mounting flange, plastic, approx. 58 x 86 x 25 mm for temperature sensors TF (series Tyr 1) and temperature measuring transducers TM (series Tyr 1)	Ø 15.2 mm	+100 °C	7100-0032-0000-000	<b>5,16 €</b>
<b>MF-16-K</b>	Mounting flange, plastic, approx. 58 x 86 x 25 mm for duct air quality sensors KLQ	Ø 16.2 mm	+100 °C	7100-0030-0000-000	<b>8,06 €</b>
<b>MF-20-K</b>	Mounting flange, plastic, approx. 58 x 86 x 25 mm for duct sensors KCO <sub>2</sub> , KLQ - CO <sub>2</sub> , KH	Ø 20.2 mm	+100 °C	7100-0030-4000-000	<b>8,06 €</b>
<b>MFT-K</b>	for PLEUROFORM multi-channel pipes!				
<b>MFT-20-K</b>	Mounting flange, plastic, approx. 62 x 87 x 30 mm for duct sensors (series Tyr 2)	Ø 20 mm	+100 °C	7000-0031-0000-000	<b>8,06 €</b>



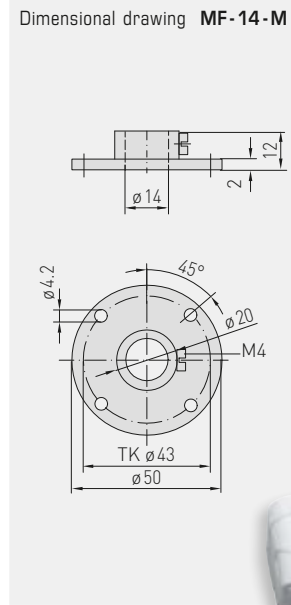
Mounting flange, metal  
 Capillary tube gland bracket, plastic  
 Immersion sleeve adapter, metal



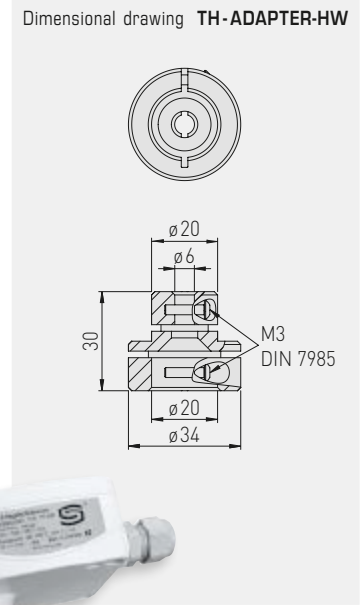
**KRD-04**  
 Capillary tube gland bracket, plastic



**MF-06-M**  
 Mounting flange, metal



**MF-14-M**  
 Mounting flange, metal



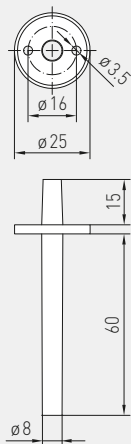
**TH-ADAPTER-HW**  
 Immersion sleeve adapter, metal



Type / WG01	Mounting flange, metal	Tube Gland	T <sub>max</sub>	Item No.	Price
<b>MF-M</b>	for metal protective tubes!				
<b>MF-06-M</b>	Mounting flange, metal (galvanised steel), Ø 32 mm, for temperature sensors TF (form B) and temperature measuring transducers TM (form B) as well as for mean value temperature sensors MWTF and mean value temperature measuring transducers MWTM	Ø 6,3mm	+700 °C	7100-0030-5000-000	<b>8,06 €</b>
<b>MF-14-M</b>	Mounting flange, metal (galvanised steel), Ø 50 mm, for duct humidity sensors KFF / KFTF and pendulum room humidity sensors RPFF / RPFTF	Ø 14,0mm	+700 °C	7100-0030-6000-000	<b>26,61 €</b>
Type / WG01	capillary tube gland bracket, plastic			Item No.	Price
<b>KRD-04</b>	Capillary tube gland bracket, plastic, approx. 58x86x25 mm (M16x1.5) for frost protection thermostats (e.g. for air ducts) as well as for mean value temperature sensors MWTF and mean value temperature measuring transducers MWTM			7100-0030-7000-000	<b>7,52 €</b>
Type / WG01	Immersion sleeve adapter, metal			Item No.	Price
<b>TH-ADAPTER-HW</b>	Metal immersion sleeve adapter (adaptation Ø 20 mm / Ø 6 mm) for mounting S+S temperature sensors from the TF and TM series in immersion sleeves by Honeywell / Centraline of the types VFFT, VFL, VFNT, VFLN			7100-0037-0001-000	<b>13,06 €</b>

Accessories for differential pressure switches and special accessories for Modbus connection

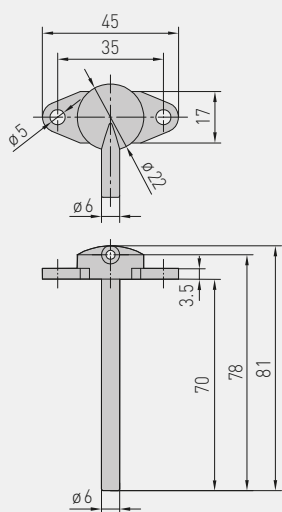
Dimensional drawing ASD-06



**ASD-06**

Connection set (straight nipples)

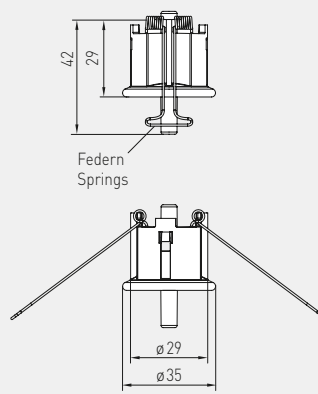
Dimensional drawing ASD-07



**ASD-07**

Connection nipples (at 90 degree angle)

Dimensional drawing DAL-02

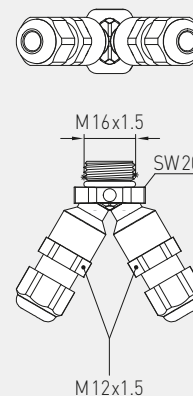


**NEW**

**DAL-02**

Pressure outlet

Dimensional drawing MODBUS-Y



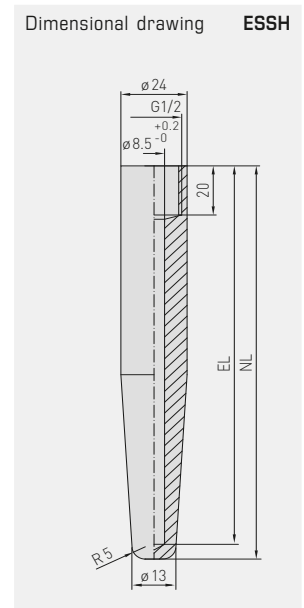
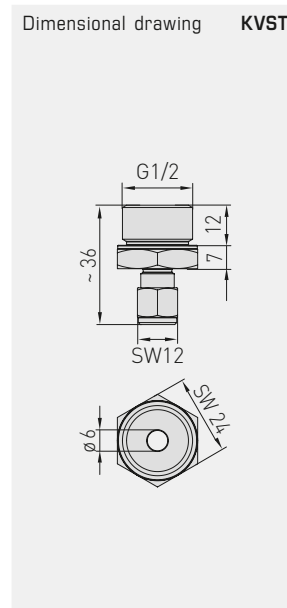
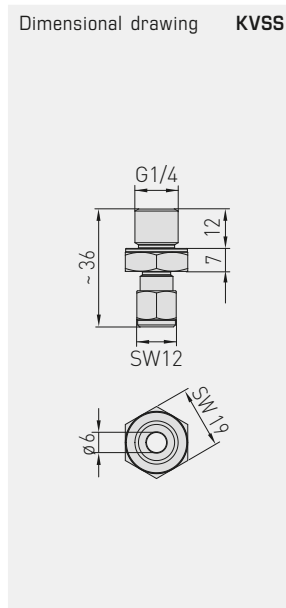
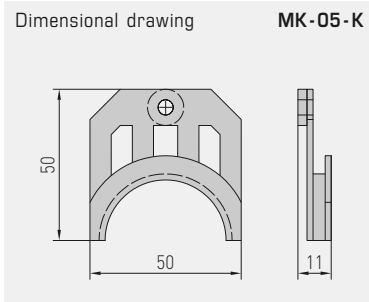
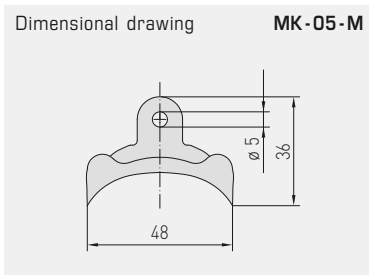
**MODBUS-Y**

Y-adapter as bypass for bus connection



Type / WG01	Accessories for differential pressure switches Description	Item No.	Price
ASD-06	Connection set consisting of 2 connection nipples (straight) made of ABS, 2 m PVC hose, soft, and 4 tapping screws for differential pressure switches	7100-0060-3000-000	6,45 €
ASD-07	2 connection nipples (at 90 degree angle) made of ABS for differential pressure switches	7100-0060-7000-000	6,45 €
DAL-02	Pressure outlet for ceiling and in-wall installation (e.g. in clean rooms) for differential pressure switches	7300-0060-3000-100	30,18 €
DS-MW-Z	Sheet steel mounting angle in Z-form for differential pressure switches DS1, DS2	7100-0063-0000-000	11,27 €
DS-MW-L	Sheet steel mounting angle in L-form for differential pressure switches DS1, DS2	7100-0063-1000-000	11,53 €
DS-MW-U	Sheet steel mounting angle in U-form for differential pressure switches DS1, DS2	7100-0060-9000-000	14,18 €

Type / WG01	Special accessories for Modbus connection Description	Item No.	Price
MODBUS-Y	Y-adapter for cable gland M16x 1.5 (on 2x M12x 1.5), made of plastic	7000-0005-0002-100	8,88 €



**MK-05-K**  
Galvanised steel  
mounting clamps

**MK-05-M**  
Mounting clamps,  
plastic

**KVST**  
Clamp union  
with clamp ring

**ESSH**  
Welding protective  
sleeve

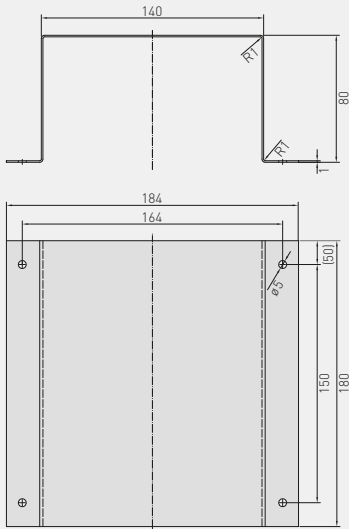


Type / WG01	Miscellaneous mounting accessories Description	Item No.	Price
MK-05-M	Galvanised steel <b>mounting clamps</b> (6 pieces) for front protection thermostats and mean value sensors	7100-0034-0000-000	<b>8,33 €</b>
MK-05-K	Plastic <b>mounting clamps</b> (6 pieces) for frost protection thermostats	7100-0034-1000-000	<b>8,33 €</b>
WH-20	<b>Wall bracket</b> for duct hygrostats KH	1200-0010-4000-000	<b>10,52 €</b>
KVST	<b>Clamp union</b> with clamp ring PTFE, Ø 6 mm	7100-0032-0110-000	<b>16,01 €</b>
KVSS	<b>Clamp union</b> with cutting ring VA, Ø 6 mm	7100-0032-1000-000	<b>16,01 €</b>
SPB1	<b>Strap</b> for surface-contact sensors	7100-0035-0000-000	<b>3,18 €</b>

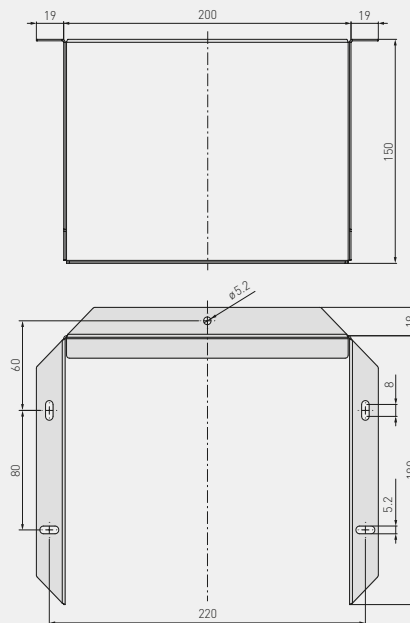
Type / WG01	Special accessories Description	Item No.	Price
ESSH/xx	<b>Welding protecting sleeves</b> , stainless steel, G ½" straight internal pipe thread		
ESSH 100MM	for immersion sleeves EL = 100 mm, P <sub>max</sub> = 100 bar	7100-0052-0020-001	<b>58,09 €</b>
ESSH 150MM	for immersion sleeves EL = 150 mm, P <sub>max</sub> = 100 bar	7100-0052-0030-001	<b>66,68 €</b>
ESSH 200MM	for immersion sleeves EL = 200 mm, P <sub>max</sub> = 100 bar	7100-0052-0040-001	<b>75,27 €</b>

Special accessories  
and spare parts

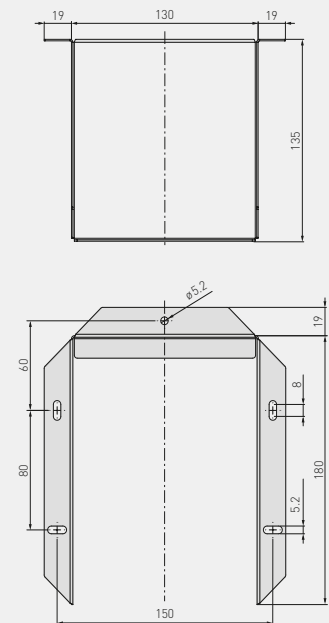
Dimensional drawing **WS-01**



Dimensional drawing **WS-03**



Dimensional drawing **WS-04**



**NEW**

**WS-01**

Sunshade and ball game protection



**WS-03**

Sunshade and weather protection



**WS-04**

Sunshade and weather protection



Type / WG01	Special accessories and spare parts	Item No.	Price
WS-01	Sunshade and ball game protection, 184 x 180 x 80 mm, stainless steel	7100-0040-2000-000	26,80 €
WS-03	Sunshade and weather protection, 200 x 180 x 150 mm, stainless steel	7100-0040-6000-000	37,74 €
WS-04	Sunshade and weather protection, 130 x 180 x 135 mm, stainless steel	7100-0040-7000-000	31,62 €
PSW-09	1 set of stainless steel paddles 1-8" (4 pieces), 29 x 34/60/89/157 mm for flow monitors SW	7700-0010-1000-000	10,96 €
PWFS-08	Stainless steel vane for vane switch WFS	7700-0010-2000-000	10,52 €
WLP-1	Heat-conductive paste set (tube)	7100-0060-1000-000	2,85 €



Individual components WG01		Item No.	Price
<b>FET</b>		7100-0022-4000-000	<b>42,96 €</b>
<b>KTY 81-210</b>		7100-0022-0000-000	<b>4,08 €</b>
<b>LM235Z</b>	(TCR = 10 mV/K; 2.73 V at 0°C), KP10	7100-0022-1000-000	<b>6,55 €</b>
<b>NI1000</b>	(according to DIN EN 43760, class B, TKR = 6180 ppm/K)	7100-0020-9000-000	<b>7,79 €</b>
<b>NI1000TK5000</b>	(according to DIN EN 43760, class B, TKR = 5000 ppm/K), LG-Ni 1000	7100-0021-0000-000	<b>10,96 €</b>
<b>NTC 1,8 KOHM</b>	NTC 1.8K	7100-0021-2000-001	<b>9,56 €</b>
<b>NTC 10 KOHM PRECON</b>	NTC 10K Precon	7100-0021-9000-000	<b>5,00 €</b>
<b>NTC 20 KOHM</b>	NTC 20K	7100-0021-6000-000	<b>5,00 €</b>
<b>NTC 30 KOHM</b>	NTC 30K	7100-0021-7000-000	<b>5,00 €</b>
<b>NTC 50 KOHM</b>	NTC 50K	7100-0021-8000-000	<b>5,00 €</b>
<b>PT100 KLASSE B</b>	(according to DIN EN 60751, class B)	7100-0020-1000-000	<b>6,02 €</b>
<b>PT100 1/2 DIN</b>	(according to DIN EN 60751, class A)	7100-0020-2000-000	<b>8,00 €</b>
<b>PT100 1/3 DIN</b>	(according to DIN EN 60751, class A)	7100-0020-3000-000	<b>9,30 €</b>
<b>PT1000 KLASSE B</b>	(according to DIN EN 60751, class B)	7100-0020-5000-000	<b>8,11 €</b>
<b>PT1000 1/2 DIN</b>	(according to DIN EN 60751, class A)	7100-0020-6000-000	<b>9,18 €</b>
<b>PT1000 1/3 DIN</b>	(according to DIN EN 60751, class A)	7100-0020-7000-000	<b>10,69 €</b>
<b>PT1000 1/10 DIN</b>	(according to DIN EN 60751, class AA)	7100-0020-8000-000	<b>33,45 €</b>
Note:	Other sensors on request.		

Optional services WG01		Unit	Price
<b>Double sensor</b>		<b>plus 50 %</b> of instrument price	
<b>1/2 DIN</b>	(according to DIN EN 60751, class AA)	Per piece	<b>6,20 €</b>
<b>1/3 DIN</b>	(according to DIN EN 60751, class AA)	Per piece	<b>6,20 €</b>
<b>1/10 DIN</b>	(according to DIN EN 60751, class AA)	Per piece	<b>24,80 €</b>

<b>Connection type</b>	<b>4-wire connection</b> with ceramic base, head form B	Per piece	<b>5,16 €</b>
	<b>4-wire connection</b> with circuit board, box head	Per piece	<b>3,10 €</b>
<b>Protection class</b>	<b>IP65</b> at head form B	Per piece	<b>7,96 €</b>
	<b>IP68</b> (Sensor sleeve watertight compound-filled) for cable sensors	Per piece	<b>2,86 €</b>

Custom-made products (for 25 or more pieces)		Unit	Price
<b>Silicone-free sensor production</b>		Per piece	on request!
<b>Factory test certificate</b> (per device)	1-point certificate	One-time cost	on request!
	2-point certificate	One-time cost	on request!
	3-point certificate	One-time cost	on request!
	Each additional test point	One-time cost	on request!
<b>Custom-made products</b>	Setup costs for custom-made products	One-time cost	on request!
<b>Special printing</b> (incl. printing plate)	Plus printing costs, 1-colour, if printing plate exists	One-time cost	on request!
	Plus printing costs, 1-colour, incl. printing plate production	One-time cost	on request!
	Plus printing costs, 2-colour, incl. printing plate production	One-time cost	on request!
<b>Special painting</b>	Setup costs for special painting	One-time cost	on request!
	Plus costs for special painting	Per piece	on request!
<b>Printing customer logo on enclosure cover</b> (for 200 covers of one enclosure series)	Setup costs for printing on enclosure cover	One-time cost	on request!
	Plus printing costs, 2-colour, printing on enclosure cover	Per piece	on request!
<b>Labelling with customer logo</b>	Setup costs for labelling	One-time cost	on request!
	Plus costs for labelling	Per piece	on request!

