



Oritex LED Tube T8/1500, 25W 4000lm 4500K

Model No. : 4742455002302

Content

1. Picture of Product.....	2
2. Features.....	2
3. Product Structure.....	3
4. Technical Data.....	4
5. Dimensions.....	5
6. Wiring connect instruction.....	5
7. Illuminance test report.....	6
8. Rectangle ISO Light Intensity Curve.....	7
9. 2D Light Intensity Distribution Curve.....	7
10. Package	8
11. Attentions.....	8

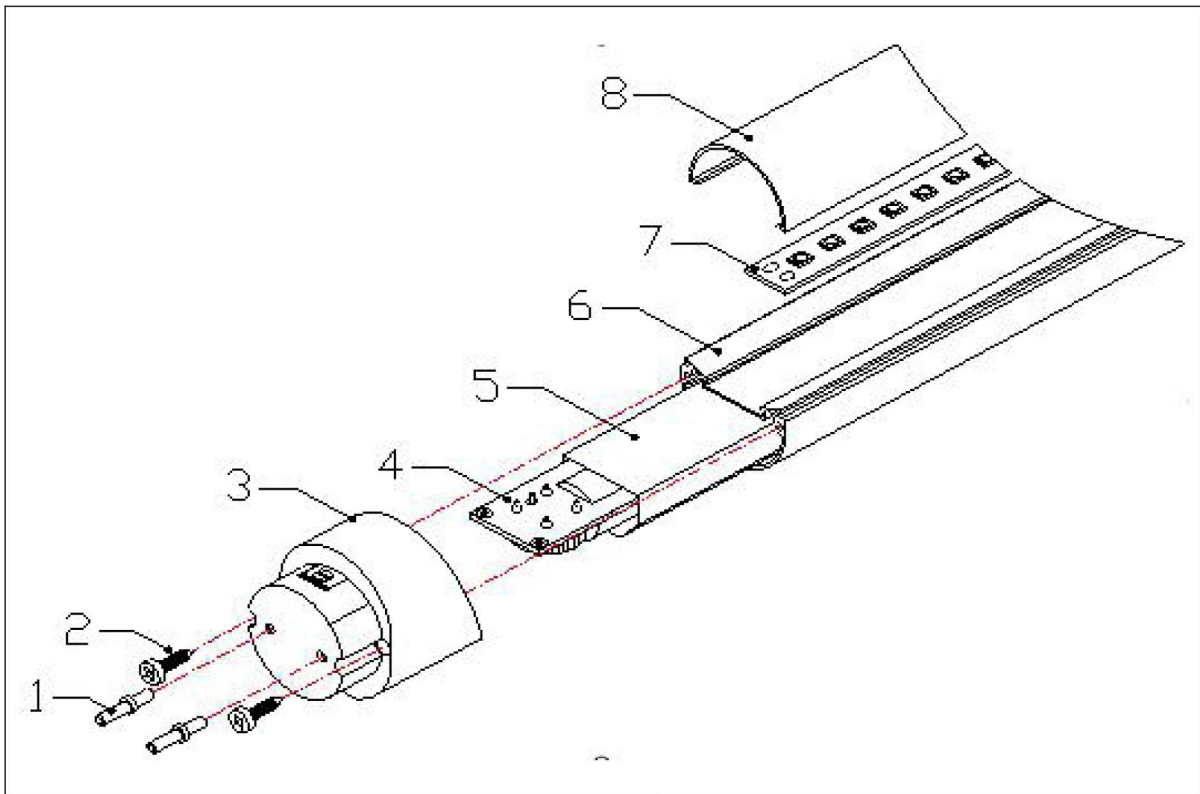
1. Picture of product



2. Features

- ❖ **Energy-efficient:** Under the same glowing effect, LED tube light conserve 60%-90% energy than the traditional energy-saving lamp, efficiently reducing the electricity expenditure.
- ❖ **Long lifespan:** LED tube adopts light emitting semiconductor chip, without filament. It is not effected by vibration, with more than 50000 hours lifespan.(the ordinary energy-saving lamp only has 8000 hours lifespan)
- ❖ **Harmless light ray:** no ultraviolet ray and infrared ray, so no producing radiation.(there is ultraviolet ray and infrared ray in high voltage sodium lamp)
- ❖ **Environmental protection:** no harmful elements, such as mercury, xenon etc. Be easily recycled and no electromagnetic interference. (there is harmful element in high voltage sodium lamp. the electronic ballast produces electromagnetic interference)
- ❖ **Eyesight protection:** LED light employ DC driver with no flicker(ordinary lamp is AC driver with flicker)
- ❖ **High lighting efficiency:** with small heat, and 80% of the electric energy translated into visible light.(80% of the electric energy of ordinary incandescent lamp translated into heat energy, and only 20% translated into luminous energy)
- ❖ **High safety factor:** LED lighting need smaller voltage and electric current, producing smaller heat. So that there is no potential safety hazard, being suitable to mine field and other dangerous places.
- ❖ **Anti-mosquito:** LED lighting producing no ultraviolet ray, so that it is good for remaining indoor clear because it doesn't attract mosquito like traditional fluorescent lamp.
- ❖ **Convenience:** Traditional fluorescent lamp has to be replaced because of its short lifespan. LED lighting could save the cost associated with replacement or repairmen.

3. Product Structure

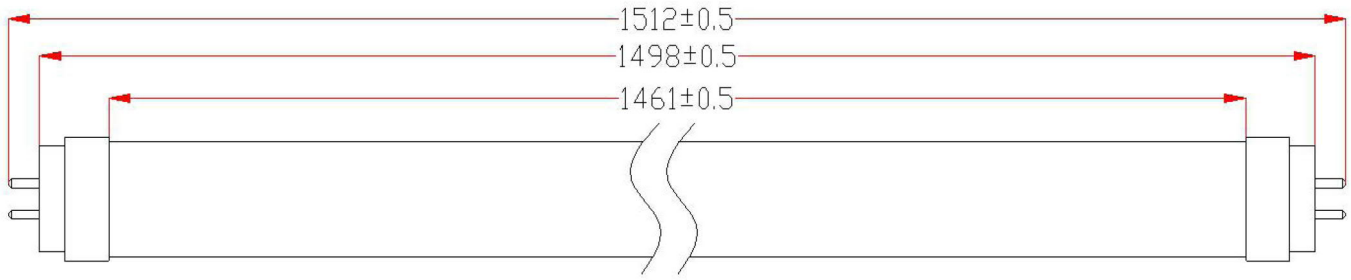


NO.	Description	Material
1	Pin	Brass, surface nickel-plated
2	Screw	Stainless steel (M2*10)
3	Rotating End cap	PC
4	PCB board for Driver	FR-4
5	Insulation covering	PC
6	Aluminum gutters	6063# aluminum alloy, with anodized surface
7	PCB board	1.0MM aluminum substrate copper-coated
8	Lamp cover	PC (Teijin material)

4. Technical data

Model No.	Oritex LED Tube T8/1500, 25W 4000lm 4500K, #4742455002302
Power	25W±1
Input voltage	AC85V-265V, 50/64Hz
PF	≥0.93
Efficiency	≥ 90%
LED type	SMD2835
LM/1 LED	28-30lm
LED quantity	276pcs
Output Lumens	4000lm-4100lm
Luminous efficiency	160 lm/w-170lm/W
CCT	2700-3200K, 4000-4500K, 6000-6500K
CRI	Ra≥80
Beam angle	160°
Cover	Clear cover, Milky cover
Lamp base	G13
End cap	Rotating end cap with lock system or not is available
Material	PC+Aluminum
Lifespan	≥ 50,000 hours
Guaranty	5 years maintenance
Working temperature	-35 ~ 55°C
storage temperature	-40 ~ 80°C
IP	IP54
Certificates	CE, RoHS, EMC, LVD approval

5. Dimensions



6. Wiring connect instruction

- Wiring connect for one side input power

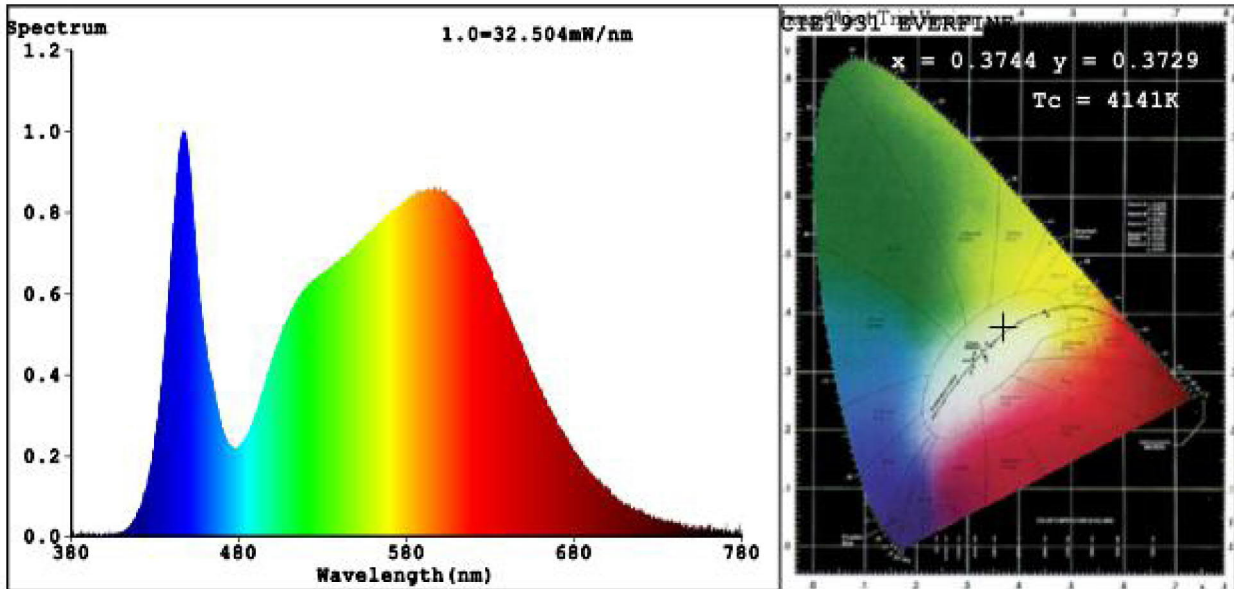


- Wiring connect for two side input power



7. Illuminance test report

Spectrum Test Report



Color Parameters:

Chromaticity Coordinate: $x=0.3744$ $y=0.3729$ $u'=0.2227$ $v'=0.4990$

$T_c=4141K$ Dominant WL: $L_d = 578.5nm$ Purity=24.3%

Red Ratio: $R=19.5\%$ Peak WL: $L_p=447.6nm$ HWL: $L_{hd}=22.7nm$

Render Index: $R_a=83.1$

R1 =82 R2 =87 R3 =92 R4 =84 R5 =82 R6 =83 R7 =87

R8 =68 R9 =13 R10=70 R11=83 R12=64 R13=83 R14=95 R15=76

Photo Parameters:

Flux = 4217 lm Eff. : 164.8 lm/W $P_e = 6.688 W$

Electrical parameters:

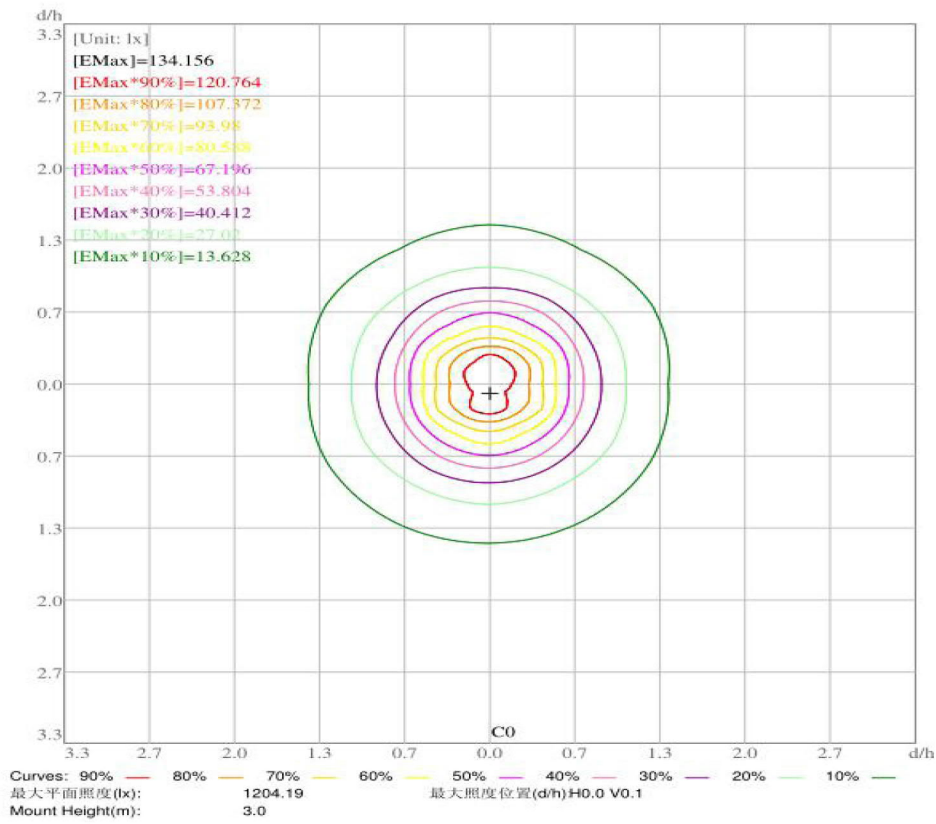
$V = 217.4 V$ $I = 0.1233 A$ $P = 25.59 W$ PF = 0.9540

LEVEL: WHITE:ANSI_4000K

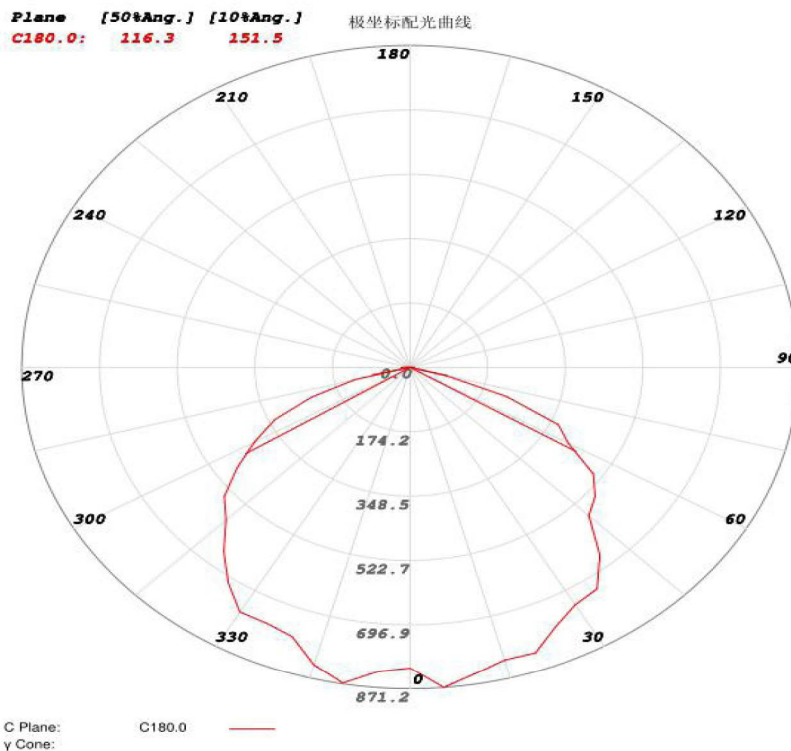
Status: Integral T = 402 ms $I_p = 49687 (76\%)$

8. Rectangle ISO Light Intensity Curve

平面等照度曲线



9. 2D Light Intensity Distribution Curve



10. Package

Model No.	Pcs/carton	NG./carton	Carton size
4742455002302	25pcs	16.3kg	1570×230×220mm



11. Attentions

- ❖ The working voltage is AC85-265V. Pls ensure the voltage when connected the power supply. The light would be destroyed permanently if connected with higher voltage.
- ❖ After connecting with the power supply, no contact between the relative metal and the light base to prevent electric shock.
- ❖ After unwrapping the package or before using it, pls check whether it is destroyed due to transportation. If there is any damage, pls stop using it to inform supplier. The product only could be used under intact conditions.
- ❖ To ensure the product could be used normally, pls strictly follow the introduction and attention. The supplier shall not be responsible due to any of the damage caused by illegal operation.
- ❖ Pls don't connect the LED tube and power supply in the high temperature condition. The lifespan would be shorted when it is employed under the higher temperature. It is recommended that the product should be used in room temperature.
- ❖ Before installing, pls ensure the environment is suitable and it is recommended that it should be installed on stable place in case of vibration.
- ❖ Due to the temperature of the lamp's surface could reach to 50°C, it is recommended that there is no devices which is sensitive to heat. To ensure the suitable working temperature, pls keep it from heat resources