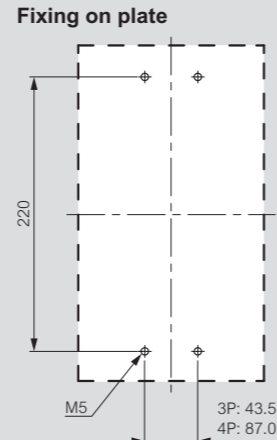
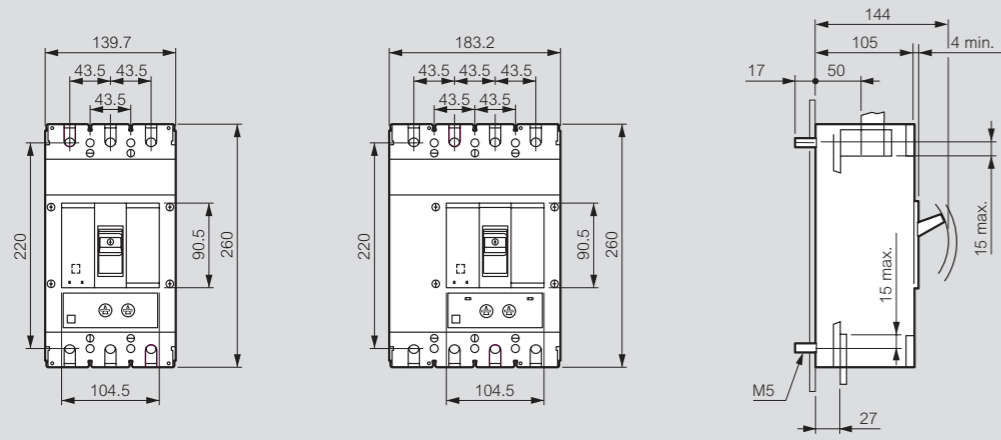


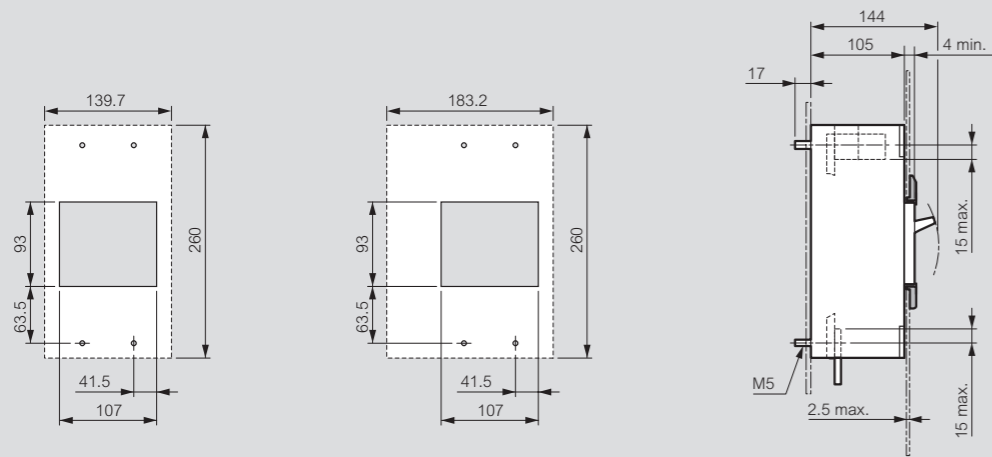
# DRX™ 630 adjustable

dimensions, mounting principle and connection

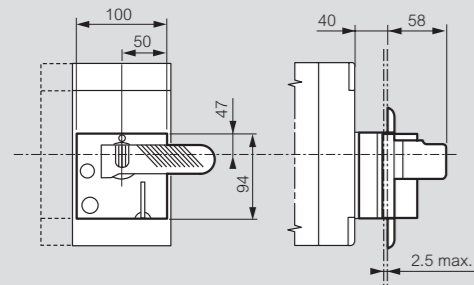
## Dimensions



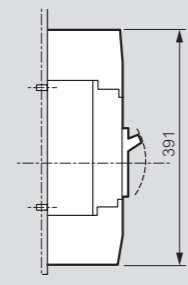
## Door cut



## Rotary handle-direct on DPX

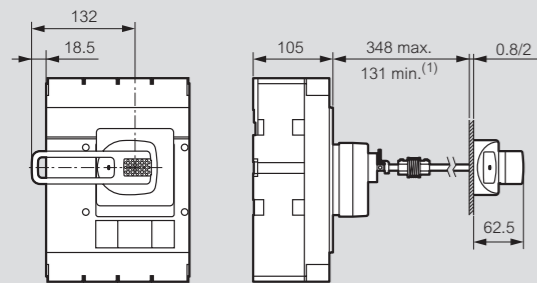


## Terminal shields



## Rotary handle-vari-depth handle on door

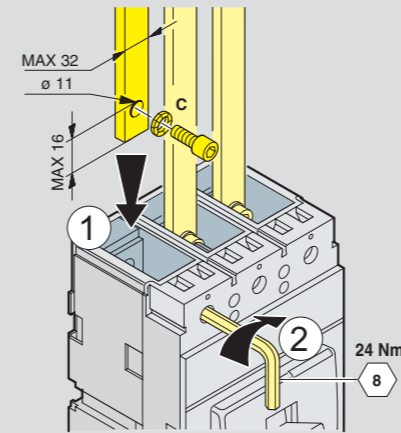
Mounting with flexible seal



1: 75 mm without mechanical system

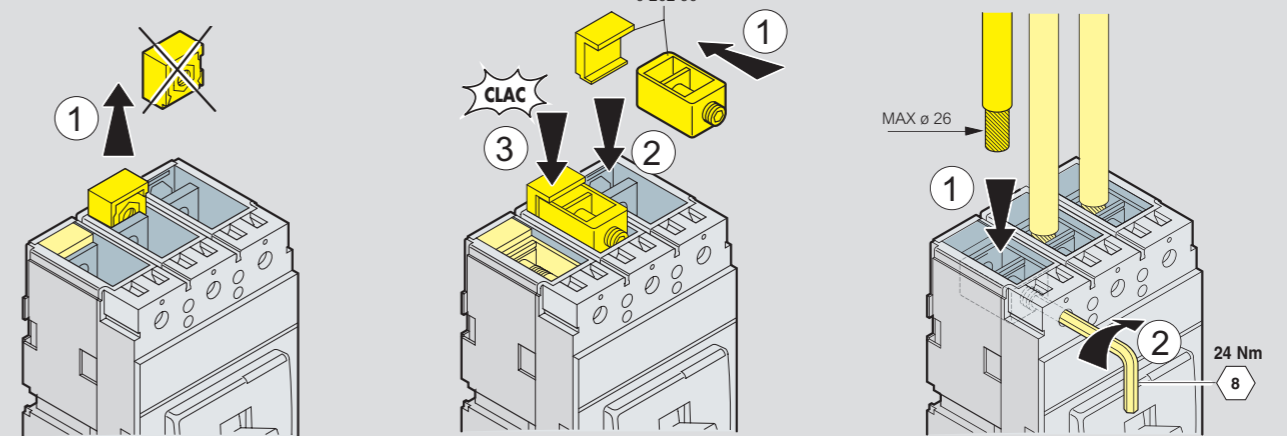
## Connection

### Connection via busbar



### Connection via cable

With cage terminals Cat.No 0 262 50



With high capacity cage terminals Cat.No 0 262 51

