

Mini contactors CTX³

technical characteristics and dimensions

Environmental conditions

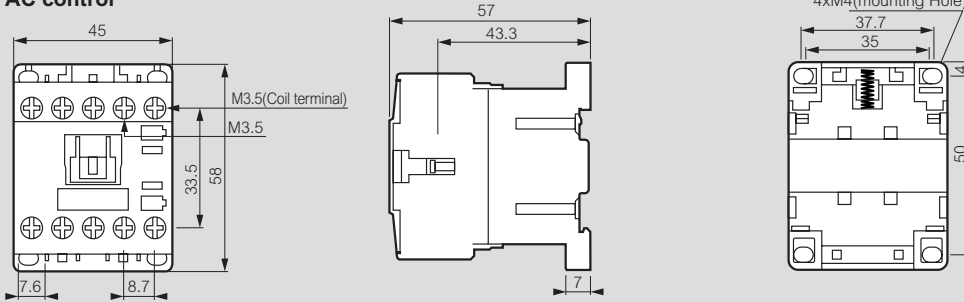
- Storage temperature: -30 °C to +65 °C
- Operating temperature: -5 °C to +40 °C
- Operating altitude: 2000 m
- Protection degree: IP 20
- Shock resistance: 5 G
- Vibration resistance (10-55 Hz): 2 G

Possible combinations of auxiliary blocks per contactor

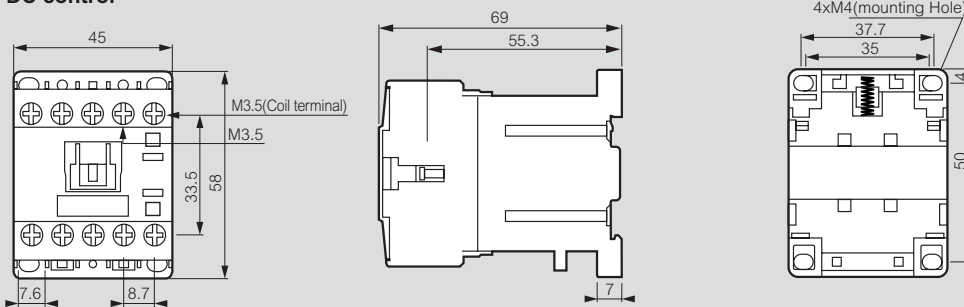
| Auxiliary contact block | Maximum number of blocks | | |
|--|---------------------------|-----------------------------|-----------------------------|
| | Side mounting (1 contact) | Front mounting (2 contacts) | Front mounting (4 contacts) |
| CTX ³ mini and control relay Control voltage : ~ | 2 | 0 | 1 |
| | 4 | 1 | 0 |
| | 6 | 0 | 0 |
| CTX ³ mini and control relay Control voltage : = | 2 | 0 | 0 |
| | 0 | 1 | 0 |

Mini contactors 3P and 4P and control relays

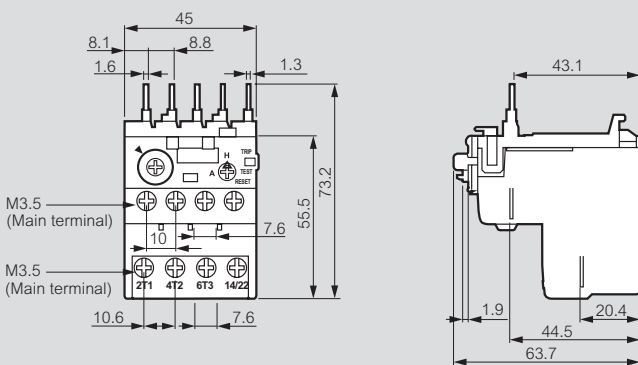
AC control



DC control

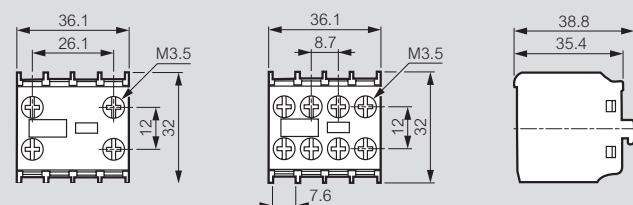


Thermal overload relays for mini contactors



Auxiliary contacts

Front mounting



Side mounting

