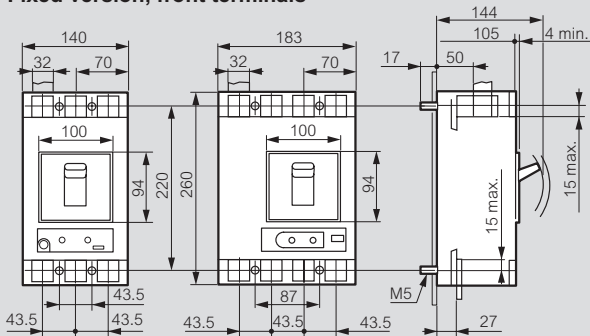


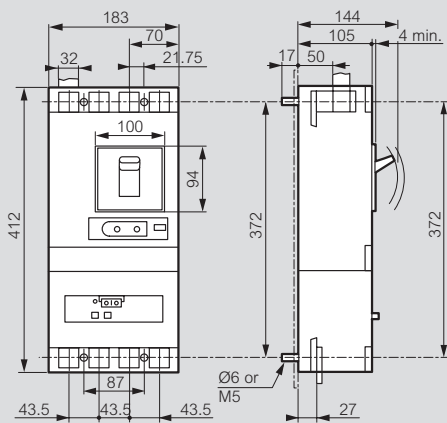
■ Dimensions

Fixed version, front terminals

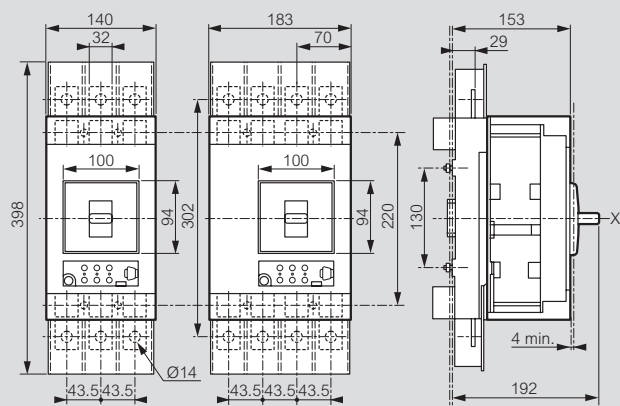


Fixed version with earth leakage module mounted underneath

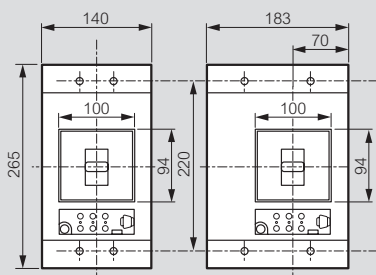
Front terminals



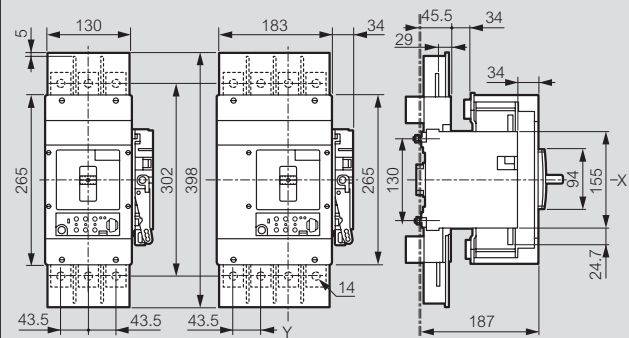
Plug-in version, front terminals



Plug-in version, rear terminals

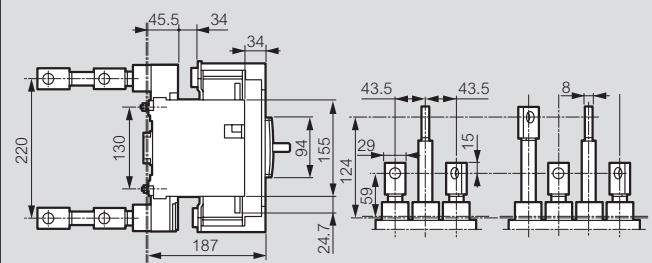


Draw-out version, front terminals

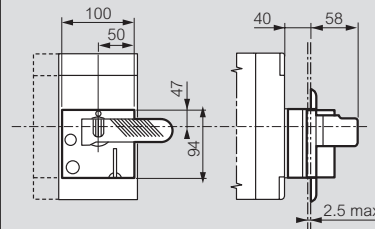


Draw-out version, rear terminals

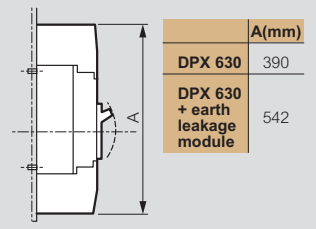
Flat rear terminal



Rotary handle-direct on DPX³



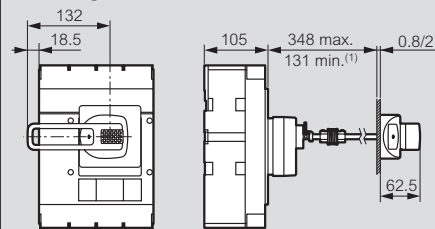
Terminal shields



	A(mm)
DPX 630	390
DPX 630 + earth leakage module	542

Rotary handle-vari-depth handle on door

Mounting with flexible seal



1: 75 mm without mechanical system