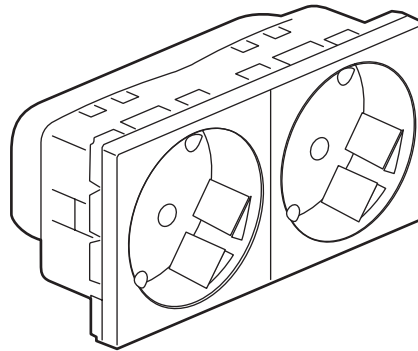


Mosaic™
Multiple socket outlets, multisupport
German standard

Cat. No.: 0 772 52/53/54/72/73/74/81/82/83/90/91/92
 0 792 82/83



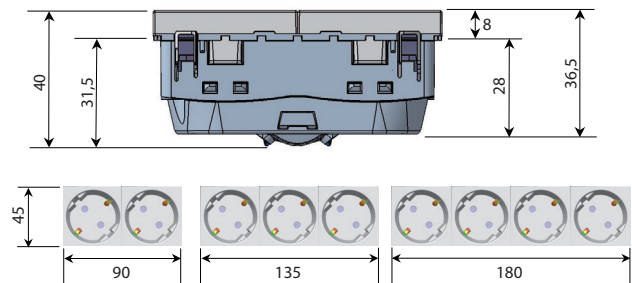
1. USE

2 to 4 gang german standard 45°-inclined multiple 16 A - 240 V~ socket outlets.
 The outlets can be installed in flush mounting boxes, surface mounting frames, floor boxes, columns, multi-outlet extensions, office strips, etc.

2. RANGE

	Description	References
	2 x 2 P + E socket - 4 modules	0 772 92
	2 x 2 P + E socket with indicator - 4 modules	0 772 90
	2 x 2 P + E socket aluminium cover plate 4 modules	0 792 82
	2 x 2 P + E socket red cover plate	0 772 72
	2 x 2 P + E socket with indicator red cover plate	0 772 91
	2 x 2 P + E tamperproof socket - 4 modules	0 772 81
	2 x 2 P + E tamperproof socket with indicator 4 modules	0 772 92
	3 x 2 P + E socket 6 modules	0 772 53
	3 x 2 P + E socket aluminium cover plate 6 modules	0 792 83
	3 x 2 P + E socket red cover plate 6 modules	0 772 73
	3 x 2 P + E tamperproof socket 6 modules	0 772 82
	Prise 4 x 2 P + T 8 modules	0 772 84
	4 x 2 P + E socket red cover plate 8 modules	0 772 74
	4 x 2 P + E tamperproof socket 8 modules	0 772 83

3. OVERALL DIMENSIONS (mm)



4. CONNECTION

Number of terminals: 3 inputs / 3 outputs (grey - green - grey)
 Terminal type : automatic terminals
 Terminal capacity: 1.5 mm² or 2.5 mm²
 Wiring: flexible / rigid
 Stripping length: 13 mm

5. TECHNICAL DATA

- **5.1 Mechanical characteristics**
 Impact resistance: IK 07
 Protection against solid bodies and liquid: IP 40
- **5.2 Material characteristics**
 Cover plates: Polycarbonate
 Bases: Acrylonitrile - Butadiene - Styrene
 Self-extinguising:
 + 850°C / 30 s for insulating components holding in place live parts.
 + 650°C / 30 s for the other insulating components.
- **5.3 Electrical characteristics**
 Voltage: 240 V~
 Current: 16 A
- **5.4 Climatic characteristics**
 Use and storage temperature: - 15° C to + 70° C

6. CLEANING

Surface cleaning using a cloth.

Do not use: acetone, tar remover, trichloroethylene.

Resistant to the following products:

- Hexane (EN 60669-1), methylated spirit, soapy water, diluted ammonia, 10% bleach solution, window cleaning products, moist towelettes.
- Anios, Surfanios, Bactilyline.

Caution: A preliminary test should be carried out if other specific cleaning products are to be used.

7. ACCESSORIES

Cat. No. 0 502 99: tamperproof insert for tamperproof sockets.

8. STANDARDS AND APPROVALS

Compliant with installation and manufacturing standards.

See e-catalogue.