

1769 Compact I/O Modules Specifications

Catalog Numbers 1769 Series



Topic	Page
Summary of Changes	2
I/O Module Overview	2
Place Compact I/O Modules	4
Digital I/O Modules	5
Analog I/O Modules	6
Specialty I/O Modules	6
Compact I/O Accessories	125
Compact I/O Mounting Dimensions	129
Wiring Systems	130
Additional Resources	130

The 1769 Compact I/O™ modules can be used with a CompactLogix™ controller, as well as for expansion I/O in a MicroLogix™ 1500 controller assembly or in an assembly with a 1769-ADN DeviceNet adapter module. Unless connected to a MicroLogix 1500 base, each bank of I/O modules must include its own power supply.

Install the I/O modules on a panel with two mounting screws or on a DIN rail. The modules mechanically lock together by means of a tongue-and-groove design and have an integrated communication bus that is connected from module to module by a moveable bus connector.



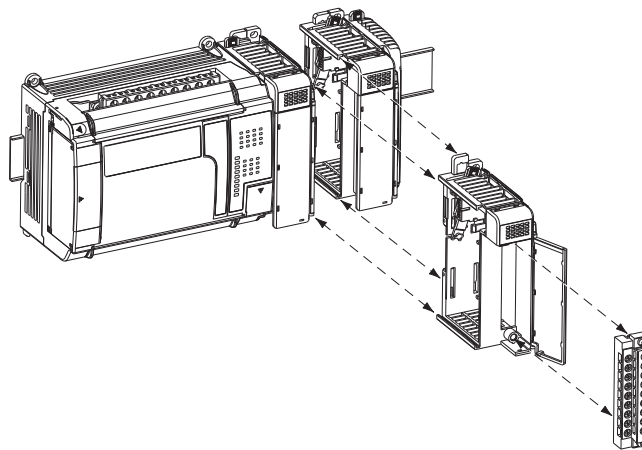
Summary of Changes

This manual contains new and updated information. Changes throughout this revision are marked by change bars, as shown to the right of this paragraph.

Topic	Page
Updated the bus current draw values for 1769-IF4I	13
Updated the bus current draw values for 1769-IT6	58
Updated the bus current draw values for 1769-OF4CI	86
Updated the bus current draw values for 1769-OF4VI	89
Updated the bus current draw values and DC voltage range for 1769-OF8C	92
Updated the bus current draw values for 1769-OF8V	95
Updated the bus current draw values for 1769-OV32T	103
Updated the recommended cable model number for 1769-ASCII	112

I/O Module Overview

Each I/O module includes a built-in removable terminal block with finger-safe cover for connections to I/O sensors and actuators. The terminal block is behind a door at the front of the module. I/O wiring can be routed from beneath the module to the I/O terminals.



- Once the modules are locked together, the system becomes a rugged assembly.
- Upper and lower tongue-and-groove slots guide the module during installation and secure the module within the system.
- Removable terminal blocks help ease the wiring task.
- Self-lifting, field-wire pressure plates cut installation time.
- The patented bus connector with locking function enables reliable module and system communication.
- A color bar is provided on the front of the module.
- Digital and field circuits are optically isolated.

Available 1769 I/O Modules

I/O Type	Cat. No.	Page	Cat. No.	Page
AC digital	1769-IA8I	7	1769-OA8	61
	1769-IA16	9	1769-OA16	64
	1769-IM12	37		
DC digital	1769-IG16	35	1769-OB8	67
	1769-IQ16	39	1769-OB16	69
	1769-IQ16F	41	1769-OB16P	72
	1769-IQ32	43	1769-OB32	75
	1769-IQ32I	45	1769-OB32I	78
	1769-IQ6XOW4	47	1769-OG16	98
			1769-OV16	100
		1769-OV32I	103	
Contact	1769-OW8	105	1769-OW16	109
	1769-OW8I	107		
Analog	1769-IF4	11	1769-OF2	80
	1769-IF4I	14	1769-OF4	83
	1769-IF4XOF2	17	1769-OF4CI	86
	1769-IF4FXOF2F	21	1769-OF4VI	89
	1769-IF8	26	1769-OF8C	92
	1769-IF16C	30	1769-OF8V	95
	1769-IF16V	32		
	1769-IR6	50		
	1769-IT6	57		
	Specialty	1769-ARM	111	1769-BOOLEAN
1769-ASCII		112	1769-HSC	118

Table 1 - Environmental Specifications - 1769 I/O Modules

Attribute	1769-IA8I, 1769-IA16, 1769-IM12, 1769-OA8, 1769-OA16, 1769-IQ16, 1769-IQ16F, 1769-IQ32, 1769-IQ6XOW4, 1769-OB8, 1769-OB16, 1769-OB16P, 1769-OB32, 1769-OV16, 1769-OW8, 1769-OW8I, 1769-OW16 1769-IF4, 1769-IF4XOF2, 1769-IR6, 1769-IT6 1769-ARM, 1756-HSC	1769-IG16, 1769-IQ32T, 1769-OB32T, 1769-OG16, 1769-OV32T 1769-IF4I, 1769-IF8, 1769-IF16C, 1769-IF16V, 1769-OF2, 1769-OF4CI, 1769-OF4VI, 1769-OF8C, 1769-OF8V, 1769-IF4FXOF2F 1769-ASCII, 1769-BOOLEAN
Temperature, operating IEC 60068-2-1 (Test Ad, Operating Cold), IEC 60068-2-2 (Test Bd, Operating Dry Heat), IEC 60068-2-14 (Test Nb, Operating Thermal Shock)	0...60 °C (32...140 °F)	0...60 °C (32...140 °F)
Temperature, storage IEC 60068-2-1 (Test Ab, Unpackaged Nonoperating Cold), IEC 60068-2-2 (Test Bb, Unpackaged Nonoperating Dry Heat), IEC 60068-2-14 (Test Na, Unpackaged Nonoperating Thermal Shock)	-40...85 °C (-40...185 °F)	-40...85 °C (-40...185 °F)
Relative humidity IEC 60068-2-30 (Test Db, Unpackaged Nonoperating Damp Heat)	5...95% noncondensing	5...95% noncondensing
Vibration IEC 60068-2-6 (Test Fc, Operating)	Operating: 5 g @ 10...500 Hz Relay operating: 2 g	5 g @ 10...500 Hz
Shock, operating IEC 60068-2-27 (Test Ea, Unpackaged Shock)	Panel mount 30 g DIN rail mount 20 g	Panel mount 30 g DIN rail mount 20 g
Shock, relay operating IEC 60068-2-27 (Test Ea, Unpackaged Shock)	Panel mount 7.5 g DIN rail mount 5 g	—
Shock, nonoperating IEC 60068-2-27 (Test Ea, Unpackaged Shock)	Panel mount 40 g DIN rail mount 30 g	Panel mount 40 g DIN rail mount 30 g

Place Compact I/O Modules

You can DIN-rail or panel mount the controller and I/O modules. The number of local I/O modules supported depends on the controller.

Controller	Supports	Location	Considerations
1769-L24ER-QB1B 1769-L24ER-QBFC1B 1769-L27ERM-QBFC1B	4 local modules	Right side of the controller	The additional modules are connected directly to the controller. There are no additional banks of local I/O.
1769-L30ER 1769-L30ERM 1769-L30ER-NSE	8 local modules	1 separate bank	The additional banks are powered by standard 1769 power supplies and connect to the main rack by using standard 1769 expansion cables.
1769-L33ER 1769-L33ERM	16 local modules	2 separate banks	
1769-L36ERM	30 local modules	3 separate banks	
1769-L23E-QB1B 1769-L23E-QBFC1B 1769-L23-QBFC1B	2 local modules, V17 and earlier.	Right side of the packaged controller	The additional modules are connected directly to the packaged controller. There are no additional banks of local I/O.
1769-L23E-QB1B	3 local modules, v18 and later.		

Controller	Supports	Location	Considerations
1769-L35CR 1769-L35E	30 local modules	3 separate banks	The additional banks are powered by standard 1769 power supplies and connect to the main rack by using standard 1769 expansion cables.
1769-L32C 1769-L32E 1769-L31	16 local modules	3 separate banks	
1768-L43	16 local modules	3 separate banks	As many as eight 1769 local modules can be attached to the 1768 backplane. The remaining modules can be in one or two additional I/O banks. The additional banks are powered by standard 1769 power supplies and connect to the main rack by using standard 1769 expansion cables.
1768-L45	30 local modules	3 separate banks	

Each 1769 I/O module has a distance rating. In 1769 systems, the distance rating is the number of modules between the specific module and the 1769 power supply. In a 1768 system, the distance rating is the number of modules between the specific I/O module and the 1768 controller.

Digital I/O Modules

Choose digital I/O modules when you need these features.

Type	Description
Input	<p>An input module responds to an input signal in the following manner:</p> <ul style="list-style-type: none"> • Input filtering limits the effect of voltage transients caused by contact bounce and/or electrical noise. If not filtered, voltage transients could produce false data. All input modules use input filtering. • Optical isolation shields logic circuits from possible damage due to electrical transients. • Logic circuits process the signal. • An input indicator turns on or off indicating the status of the corresponding input device.
Output	<p>An output module controls the output signal in the following manner:</p> <ul style="list-style-type: none"> • Logic circuits determine the output status. • An output indicator displays the status of the output signal. • Optical isolation separates module logic and bus circuits from field power. • The output driver turns the corresponding output on or off.

Most output modules have built-in surge suppression to reduce the effects of high-voltage transients. Use an additional suppression device if an output is being used to control inductive devices, such as relays, motor starters, solenoids, or motors.

Additional suppression is especially important if your inductive device is in series with or parallel to hard contacts, such as push buttons or selector switches. Add a suppression device directly across the coil of an inductive device to reduce the effects of voltage transients caused by interrupting the current to that device and to prolong the life of the switch contacts.

Analog I/O Modules

Choose analog, thermocouple, or RTD modules for these features:

- Individually configurable channels
- Ability to individually enable and disable channels
- On-board scaling
- Auto calibration of inputs
- Online configuration
- Selectable input filters
- Over-range and under-range detection and indication
- Selectable response to a broken input sensor
- Selectable power source
- Input modules offer both single-ended or differential inputs
- Ability to direct output device operation during an abnormal condition
- High accuracy ratings

The data can be configured on board each module as:

- Engineering Units in volts or milliamps.
- Scaled-for-PID.
- Percent of range.
- Raw/Proportional Data for maximum resolution.

Specialty I/O Modules

These specialty modules are available.

Cat. No.	Description
1769-ARM	Use a 1769-ARM address reserve module to reserve module slots. After creating an I/O configuration and user program, you can remove and replace any I/O module in the system with a 1769-ARM module once you inhibit the removed module in RSLogix 5000 programming software.
1769-ASCII	The 1769-ASCII module, a general purpose two-channel ASCII interface, provides a flexible network interface to a wide variety of RS-232, RS-485, and RS-422 ASCII devices. The module provides the communication connections to the ASCII device.
1769-BOOLEAN	Use the 1769-BOOLEAN module in applications that require repeatability, such as material handling and packaging, when there is a requirement to activate an output based on an input's transition. If the Boolean expression is true, the output is directed to the ON state. If the Boolean expression is false, the output channel is directed to the OFF state. There are four operators that you can configure as OR, AND, XOR, or none.
1769-HSC	Use the 1769-HSC module when you need: <ul style="list-style-type: none"> • a counter module that is capable of reacting to high-speed input signals. • to generate rate and time-between-pulses (pulse interval) data. • one or two channels of quadrature or four channels of pulse/count inputs.
1769-SM1	The Compact I/O to DPI/SCANport module connects to PowerFlex 7-class drives, other DPI-based host devices, and SCANport-based host devices such as 1305 and 1336 PLUS II drives.
1769-SM2	The Compact I/O to DSI/Modbus module connects to PowerFlex 4-class drives and to other Modbus RTU slave devices, such as PowerFlex 7-class drives with 20-COMM-H RS485 HVAC adapters.

1769-IA8I

Compact individually-isolated 120V AC input module

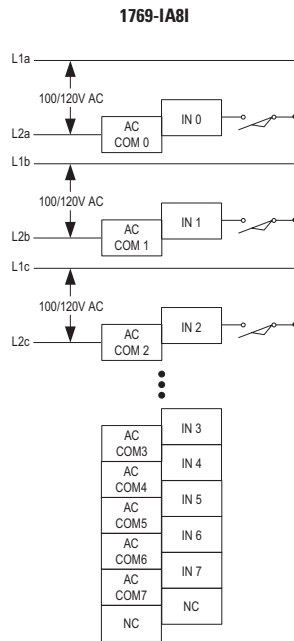


Table 2 - Technical Specifications - 1769-IA8I

Attribute	1769-IA8I
Inputs	8 individually isolated
Voltage category	100/120V AC
Operating voltage range	79...132V AC, 47...63 Hz
Input delay, on	20 ms
Input delay, off	20 ms
Current draw @ 5.1V	90 mA
Heat dissipation, max	1.81 W
Off-state voltage, max	20V AC
Off-state current, max	2.5 mA
On-state voltage, min	79V AC
On-state current, min	5 mA @ 74V AC
On-state current, max	12 mA @ 120V AC
Inrush current, max ⁽¹⁾	250 mA
Input impedance, max	12 k Ω @ 50 Hz 10 k Ω @ 60 Hz
Isolation voltage	Verified by one of the following dielectric tests: 1517V AC for 1 s or 2145V DC for 1 s, input point to bus and group to group 132V AC working voltage (IEC Class 2 reinforced insulation)
Weight, approx	270 g (0.60 lb)

Table 2 - Technical Specifications - 1769-IA8I

Attribute	1769-IA8I
Dimensions (HxWxD), approx	118 x 35 x 87 mm (4.65 x 1.38 x 3.43 in.) Height with mounting tabs 138 mm (5.43 in.)
Slot width	1
Module location	DIN rail or panel mount
Power supply	1769-PA2, 1769-PB2, 1769-PA4, 1769-PB4
Power supply distance rating	8 modules
Terminal screw torque	0.68 N•m (6 lb•in)
Retaining screw torque	0.46 N•m (4.1 lb•in)
Wire size	(22...14 AWG) solid (22...16 AWG) stranded
Wire type	Cu-90 °C (194 °F)
IEC input compatibility	Type 1+
Replacement terminal block	1769-RTBN18 (1 per kit)
Replacement door label	1769-RL1 (2 per kit)
Replacement door	1769-RD (2 per kit)
Vendor ID code	1
Product type code	7
Product code	81
Enclosure type rating	None (open-style)

(1) A current limiting resistor can be used to limit inrush current; however, the operating characteristics of the AC input circuit will be affected. If a 6.8 k Ω (2.5 W minimum) resistor is placed in series with the input, the inrush current is reduced to 35 mA. In this configuration, the minimum on-state voltage increases to 92V AC. Before adding the resistor in a hazardous environment, be sure to consider the operating temperature of the resistor and the temperature limits of the environment. The operating temperature of the resistor must remain below the temperature limit of the environment.

Table 3 - Certifications - 1769-IA8I

Certification ⁽¹⁾	1769-IA8I
c-UL	C-UL certified (under CSA C22.2 No. 142) UL 508 listed Class I, Division 2 Group A,B,C,D Hazardous Locations (UL 1604, C-UL under CSA C22.2 No. 213)
CE	CE compliant for all applicable directives
C-Tick	Australian Radiocommunications Act, compliant with: <ul style="list-style-type: none"> AS/NZS CISPR 11; Industrial Enclosure

(1) When marked. See the Product Certification link at <http://www.ab.com> for Declarations of Conformity, Certificates, and other certification details.

1769-IA16

Compact 120V AC input module

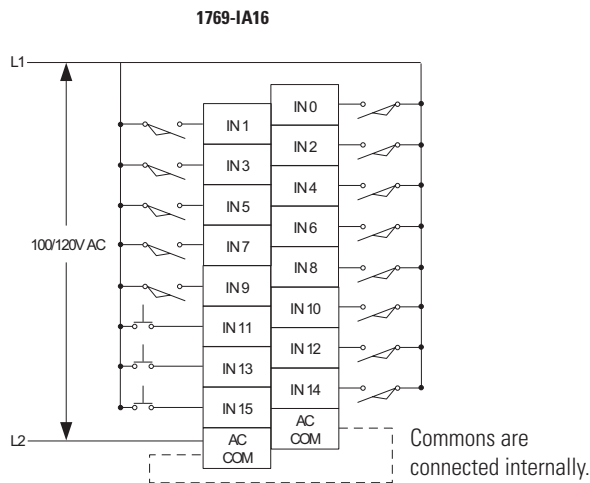


Table 4 - Technical Specifications - 1769-IA16

Attribute	1769-IA16
Inputs	16 (16 points/group, internally connected commons)
Voltage category	100/120V AC
Operating voltage range	79...132V AC, 47...63 Hz
Input delay, on	20 ms
Input delay, off	20 ms
Current draw @ 5.1V	115 mA
Heat dissipation, max	3.30 W
Off-state voltage, max	20V AC
Off-state current, max	2.5 mA
On-state voltage, min	79V AC
On-state current, min	5 mA @ 74V AC
On-state current, max	12 mA @ 120V AC
Inrush current, max ⁽¹⁾	250 mA
Input impedance, max	12 k Ω @ 50 Hz 10 k Ω @ 60 Hz
Isolation voltage	Verified by one of the following dielectric tests: 1517V AC for 1 s or 2145V DC for 1 s, input point to bus 132V AC working voltage (IEC Class 2 reinforced insulation)
Weight, approx	280 g (0.61 lb)
Dimensions (HxWxD), approx	118 x 35 x 87 mm (4.65 x 1.38 x 3.43 in.) Height with mounting tabs 138 mm (5.43 in.)
Slot width	1
Module location	DIN rail or panel mount

Table 4 - Technical Specifications - 1769-IA16

Attribute	1769-IA16
Power supply	1769-PA2, 1769-PB2, 1769-PA4, 1769-PB4
Power supply distance rating	8 modules
Terminal screw torque	0.68 N•m (6 lb•in)
Retaining screw torque	0.46 N•m (4.1 lb•in)
Wire size	(22...14 AWG) solid (22...16 AWG) stranded
Wire type	Cu-90 °C (194 °F)
IEC input compatibility	Type 1+
Replacement terminal block	1769-RTBN18 (1 per kit)
Replacement door label	1769-RL1 (2 per kit)
Replacement door	1769-RD (2 per kit)
Vendor ID code	1
Product type code	7
Product code	82
Enclosure type rating	None (open-style)

(1) A current limiting resistor can be used to limit inrush current; however, the operating characteristics of the AC input circuit will be affected. If a 6.8 k Ω (2.5 W minimum) resistor is placed in series with the input, the inrush current is reduced to 35 mA. In this configuration, the minimum on-state voltage increases to 92V AC. Before adding the resistor in a hazardous environment, be sure to consider the operating temperature of the resistor and the temperature limits of the environment. The operating temperature of the resistor must remain below the temperature limit of the environment.

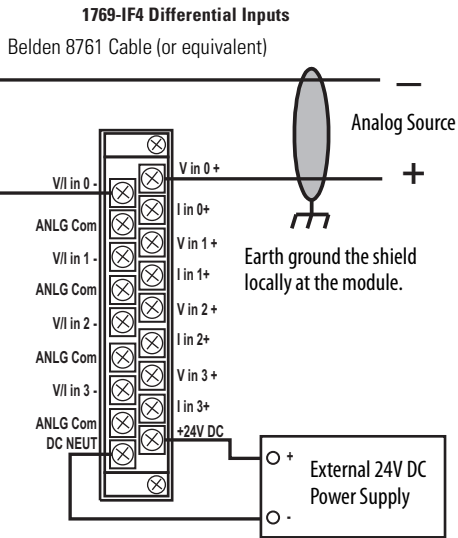
Table 5 - Certifications - 1769-IA16

Certification ⁽¹⁾	1769-IA16
c-UL	C-UL certified (under CSA C22.2 No. 142) UL 508 listed Class I, Division 2 Group A,B,C,D Hazardous Locations (UL 1604, C-UL under CSA C22.2 No. 213)
CE	CE compliant for all applicable directives
C-Tick	Australian Radiocommunications Act, compliant with: <ul style="list-style-type: none"> AS/NZS CISPR 11; Industrial Enclosure

(1) When marked. See the Product Certification link at <http://www.ab.com> for Declarations of Conformity, Certificates, and other certification details.

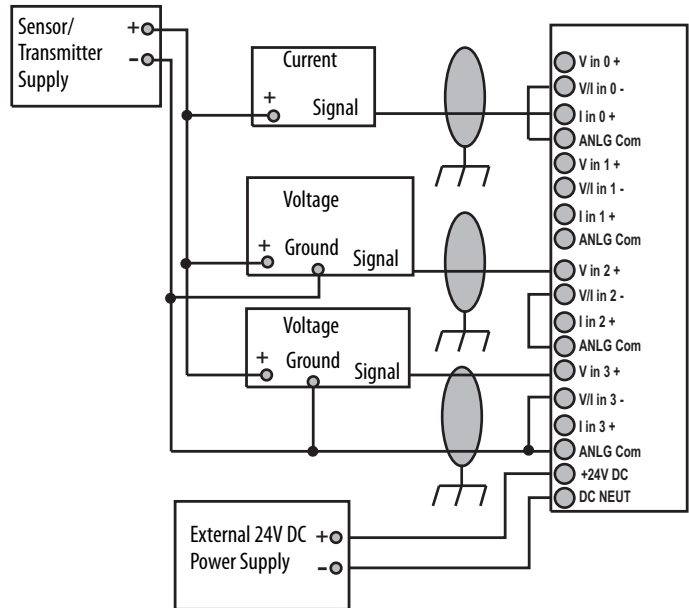
1769-IF4

Compact voltage/current analog input module



The external power supply must be rated Class 2, with a 24V DC range of 20.4...26.4V DC and 60 mA minimum. Series B and later modules support this option.

1769-IF4 Single-ended Sensor/Transmitter Inputs



1769-IF4 Mixed Transmitter Inputs

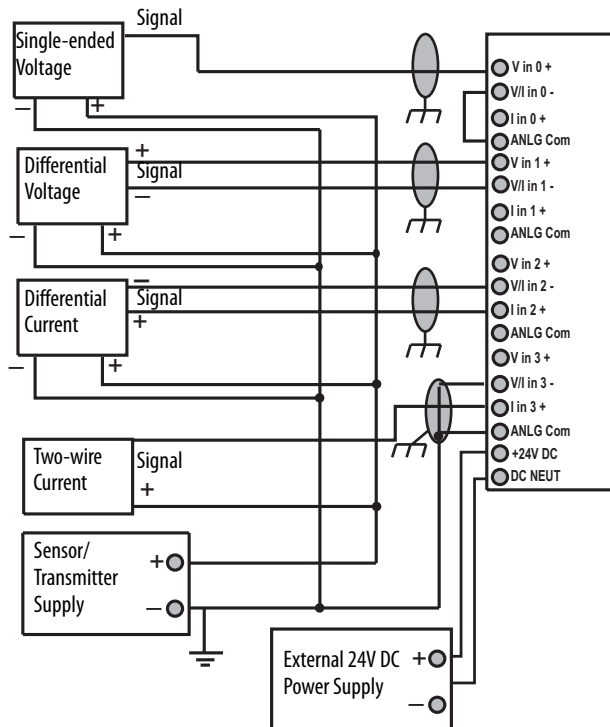


Table 6 - Technical Specifications - 1769-IF4

Attribute	1769-IF4
Inputs	4 differential or single-ended
Input range	±10V 0...10V 0...5V 1...5V 0...20 mA 4...20 mA
Full scale range ⁽¹⁾	±10.5V -0.5...10.5V -0.5...5.25V 0.5...5.25V 0...21 mA 3.2...21 mA
Current draw @ 5.1V	120 mA
Current draw @ 24V	60 mA
Heat dissipation, max	2.52 W
Converter type	Delta Sigma
Resolution ⁽²⁾	14 bits (unipolar) 14 bits plus sign (bipolar)
Rated working voltage ⁽³⁾	30V AC/30V DC
Common mode voltage range ⁽⁴⁾	±10V DC max per channel
Common mode rejection	> 60 dB @ 50 and 60 Hz with the 50 or 60 Hz filter selected, respectively
Normal mode rejection ratio	-50 dB @ 50 and 60 Hz with the 50 or 60 Hz filter selected, respectively
Input impedance	Voltage: 220 k Ω Current: 250 Ω
Accuracy ⁽⁵⁾	Voltage: ±0.2% full scale @ 25 °C (77 °F) Current: ±0.35% full scale @ 25 °C (77 °F)
Accuracy drift with temperature	Voltage: ±0.003% per °C Current: ±0.0045% per °C
Nonlinearity	±0.03%
Repeatability ⁽⁶⁾	±0.03%
Module error	Voltage: ±0.3% Current: ±0.5%
Overload at input terminals, max ⁽⁷⁾	Voltage: ±30V DC continuous, 0.1 mA Current: ±32 mA continuous, ±7.6V DC
Isolation voltage	500V AC or 710V DC for 1 minute (qualification test), group to bus 30V AC/30V DC working voltage (IEC Class 2 reinforced insulation)
Weight, approx	300 g (0.65 lb)
Dimensions (HxWxD), approx	118 x 35 x 87 mm (4.65 x 1.38 x 3.43 in.) Height with mounting tabs 138 mm (5.43 in.)
Slot width	1
Module location	DIN rail or panel mount
Power supply	1769-PA2, 1769-PB2, 1769-PA4, 1769-PB4
Optional 24V DC Class 2 power supply voltage range ⁽⁸⁾	20.4...26.4V DC
Power supply distance rating	8 modules
Terminal screw torque	0.68 N•m (6 lb•in)

Table 6 - Technical Specifications - 1769-IF4

Attribute	1769-IF4
Retaining screw torque	0.46 N•m (4.1 lb•in)
Wire size	(22... 14 AWG) solid (22... 16 AWG) stranded
Wire type	Cu-90 °C (194 °F)
Replacement terminal block	1769-RTBN18 (1 per kit)
Replacement door label	1769-RL2 series B (2 per kit)
Replacement door	1769-RD (2 per kit)
Vendor ID code	1
Product type code	10
Product code	35
Enclosure type rating	None (open-style)

- (1) The over- or under-range flag will come on when the normal operating range (over/under) is exceeded. The module will continue to convert the analog input up to the maximum full scale range. The flag automatically resets when within the normal operating range.
- (2) Resolution is dependent upon your filter selection. The maximum resolution is achieved with either the 50 or 60 Hz filter selected.
- (3) Rated working voltage is the maximum continuous voltage that can be applied at the input terminal, including the input signal and the value that floats above ground potential (for example, 10V DC input signal and 20V DC potential above ground).
- (4) For proper operation, both the plus and minus input terminals must be within $\pm 10V$ DC of analog common.
- (5) Includes offset, gain, nonlinearity, and repeatability error terms.
- (6) Repeatability is the ability of the input module to register the same reading in successive measurements for the same input signal.
- (7) Damage may occur to the input circuit if this value is exceeded.
- (8) If the optional 24V DC Class 2 power supply is used, the 24V DC current draw from the bus is 0 mA.

Table 7 - Response Speed - 1769-IF4

Filter Frequency	Cut-off Frequency	Step Response	Channel Update
50 Hz	13.1 Hz	60 ms	22 ms
60 Hz	15.7 Hz	50 ms	19 ms
250 Hz	65.5 Hz	12 ms	6 ms
500 Hz	131 Hz	6 ms	4 ms

Table 8 - Certifications - 1769-IF4

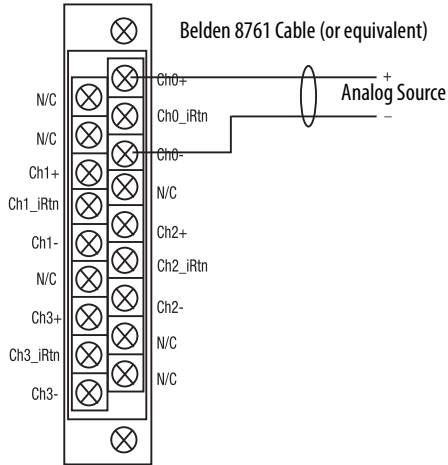
Certification ⁽¹⁾	1769-IF4
c-UL	C-UL certified (under CSA C22.2 No. 142) UL 508 listed Class I, Division 2 Group A,B,C,D Hazardous Locations (UL 1604, C-UL under CSA C22.2 No. 213)
CE	CE compliant for all applicable directives
C-Tick	Australian Radiocommunications Act, compliant with: <ul style="list-style-type: none"> • AS/NZS CISPR 11; Industrial Enclosure

- (1) When marked. See the Product Certification link at <http://www.ab.com> for Declarations of Conformity, Certificates, and other certification details.

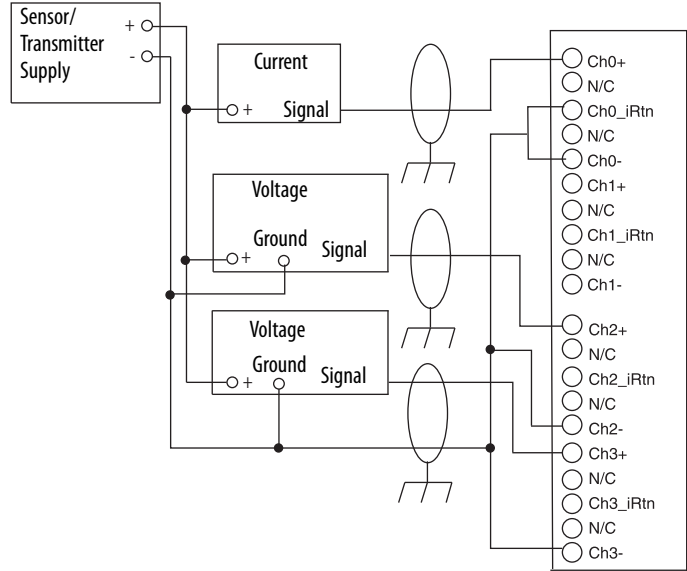
1769-IF4I

Compact voltage/current analog, individually-isolated input module

1769-IF4I Differential Inputs



1769-IF4I Single-ended Sensor/Transmitter Inputs



1769-IF4I Mixed Transmitter Inputs

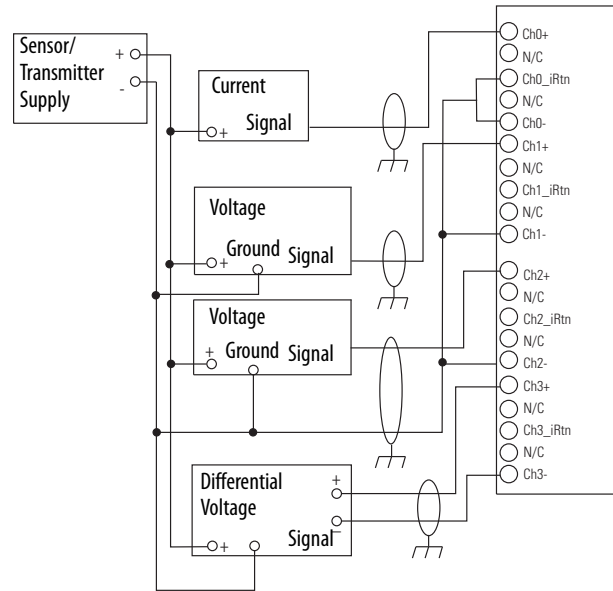


Table 9 - Technical Specifications - 1769-IF4I

Attribute	1769-IF4I
Inputs	4 isolated differential
Input range	±10V 0...10V 0...5V 1...5V 0...20 mA 4...20 mA
Full scale range ⁽¹⁾	±10.5V -0.5...10.5V -0.5...5.25V 0.5...5.25V 0...21 mA 3.2...21 mA
Bus current draw	5V DC, 140 mA 24V DC, 110 mA
Heat dissipation, max	3.0 W
Converter type	Delta Sigma
Resolution ⁽²⁾	16 bits (unipolar) 15 bits plus sign (bipolar)
Rated working voltage ⁽³⁾	30V AC/30V DC
Common mode voltage range ⁽⁴⁾	±10V DC max per channel
Common mode rejection	> 60 dB @ 50 and 60 Hz with the 10 Hz filter selected
Normal mode rejection ratio	-50 dB @ 50 and 60 Hz with the 10 Hz filter selected
Input impedance	Voltage: 1 MΩ Current: 249 Ω
Accuracy ⁽⁵⁾	Voltage: ±0.2% full scale @ 25 °C (77 °F) Current: ±0.35% full scale @ 25 °C (77 °F)
Accuracy drift with temperature	Voltage: ±0.003% per °C Current: ±0.0045% per °C
Nonlinearity	±0.03%
Repeatability ⁽⁶⁾	±0.03%
Module error	Voltage: ±0.3% Current: ±0.5%
Overload at input terminals, max ⁽⁷⁾	Voltage: ±24V DC continuous, 0.1 mA Current: ±28 mA continuous, ±7.6V DC
Isolation voltage	500V AC or 710V DC for 1 minute (qualification test), group to bus 30V AC/30V DC working voltage (IEC Class 2 reinforced insulation) 500V AC or 710V DC for 1 minute or 250V continuous (optical and magnetic), channel to rack and channel to channel
Weight, approx	300 g (0.65 lb)
Dimensions (HxWxD), approx	118 x 35 x 87 mm (4.65 x 1.38 x 3.43 in.) Height with mounting tabs 138 mm (5.43 in.)
Slot width	1
Module location	DIN rail or panel mount
Power supply	1769-PA2, 1769-PB2, 1769-PA4, 1769-PB4
Power supply distance rating	8 modules

Table 9 - Technical Specifications - 1769-IF4I

Attribute	1769-IF4I
Terminal screw torque	0.68 N•m (6 lb•in)
Retaining screw torque	0.46 N•m (4.1 lb•in)
Wire size	(22...14 AWG) solid (22...16 AWG) stranded
Wire type	Cu-90 °C (194 °F)
Replacement terminal block	1769-RTBN18 (1 per kit)
Replacement door label	1769-RL2 series B (2 per kit)
Replacement door	1769-RD (2 per kit)
Vendor ID code	1
Product type code	10
Product code	44
Enclosure type rating	None (open-style)

- (1) The over- or under-range flag will come on when the normal operating range (over/under) is exceeded. The module will continue to convert the analog input up to the maximum full scale range. The flag automatically resets when within the normal operating range.
- (2) Resolution is dependent upon your filter selection. The maximum resolution is achieved with either the 50 or 60 Hz filter selected.
- (3) Rated working voltage is the maximum continuous voltage that can be applied at the input terminal, including the input signal and the value that floats above ground potential (for example, 10V DC input signal and 20V DC potential above ground).
- (4) For proper operation, both the plus and minus input terminals must be within $\pm 10V$ DC of analog common.
- (5) Includes offset, gain, nonlinearity, and repeatability error terms.
- (6) Repeatability is the ability of the input module to register the same reading in successive measurements for the same input signal.
- (7) Damage may occur to the input circuit if this value is exceeded.

Table 10 - Response Speed - 1769-IF4I

Filter Frequency	Channel Update
28.5 Hz	108 ms
50 Hz	62 ms
60 Hz	52 ms
300 Hz	12 ms
360 Hz	10 ms

Table 11 - Certifications - 1769-IF4I

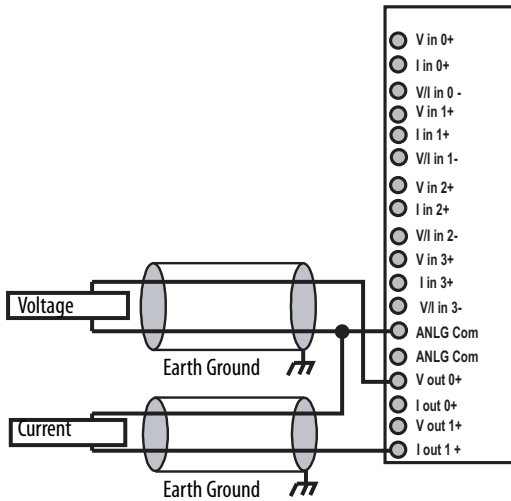
Certification ⁽¹⁾	1769-IF4I
c-UL	C-UL certified (under CSA C22.2 No. 142) UL 508 listed Class I, Division 2 Group A,B,C,D Hazardous Locations (UL 1604, C-UL under CSA C22.2 No. 213)
CE	CE compliant for all applicable directives
C-Tick	Australian Radiocommunications Act, compliant with: <ul style="list-style-type: none"> • AS/NZS CISPR 11; Industrial Enclosure

- (1) When marked. See the Product Certification link at <http://www.ab.com> for Declarations of Conformity, Certificates, and other certification details.

1769-IF4XOF2

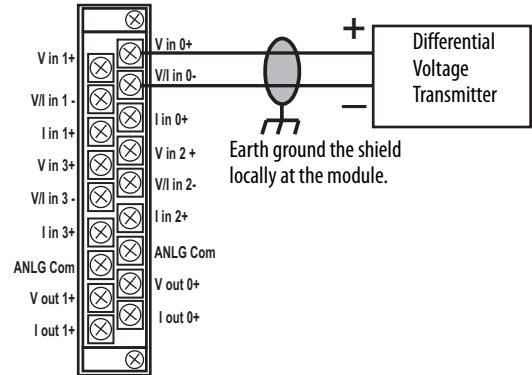
Compact combination input/output analog module

1769-IF4XOF2 Outputs

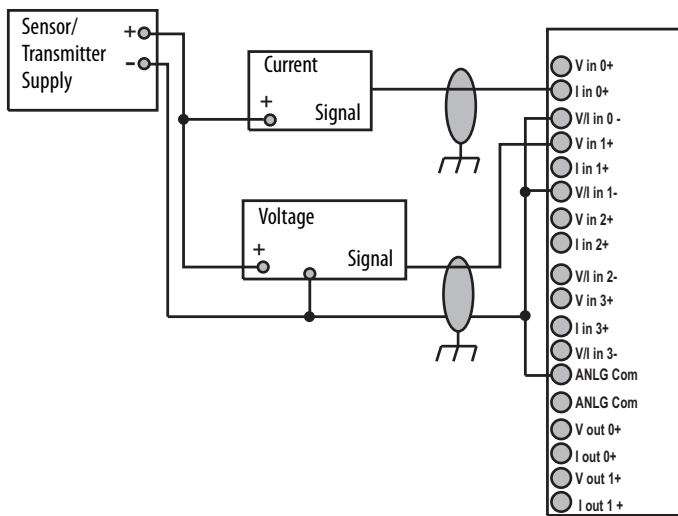


1769-IF4XOF2 Differential Inputs

Belden 8761 Cable (or equivalent)



1769-IF4XOF2 Single-ended Sensor/Transmitter Inputs



The sensor power supply must be rated Class 2.

1769-IF4XOF2 Mixed Transmitter Inputs

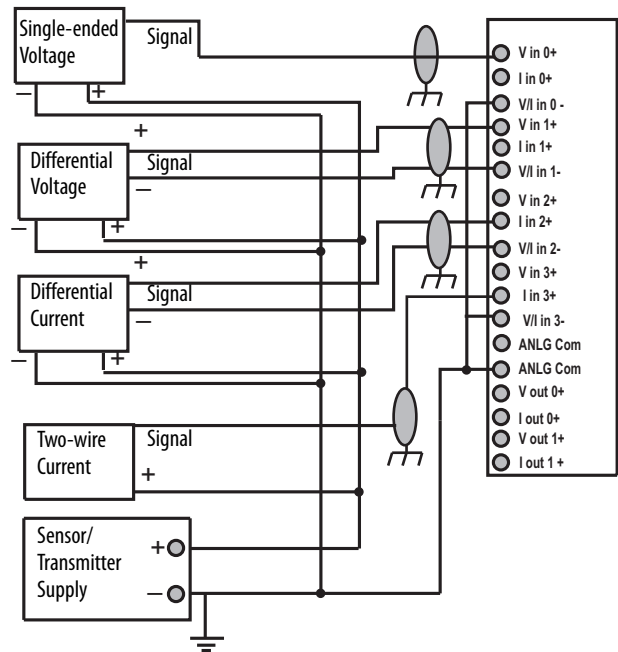


Table 12 - Technical Specifications - 1769-IF4XOF2

Attribute	1769-IF4XOF2
Current draw @ 5.1V	120 mA
Current draw @ 24V	160 mA
Heat dissipation, max	3.03 W
Weight, approx	290 g (0.64 lb)
Dimensions (HxWxD), approx	118 x 35 x 87 mm (4.65 x 1.38 x 3.43 in.) Height with mounting tabs 138 mm (5.43 in.)
Slot width	1
Module location	DIN rail or panel mount
Power supply	1769-PA2, 1769-PB2, 1769-PA4, 1769-PB4
Power supply distance rating	8 modules
Terminal screw torque	0.68 N•m (6 lb•in)
Retaining screw torque	0.46 N•m (4.1 lb•in)
Wire size	(22...14 AWG) solid (22...16 AWG) stranded
Wire type	Cu-90 °C (194 °F)
Replacement terminal block	1769-RTBN18 (1 per kit)
Replacement door label	1769-RL2 series B (2 per kit)
Replacement door	1769-RD (2 per kit)
Vendor ID code	1
Product type code	10
Product code	33
Enclosure type rating	None (open-style)

Table 13 - 1769-IF4XOF2 Input Specifications

Attribute	1769-IF4XOF2
Inputs	4 differential or single-ended
Input range	0...10V 0...20 mA
Full scale range ⁽¹⁾	0...10.5V 0...21 mA
Converter type	Successive approximation
Resolution ⁽²⁾	8 bits plus sign
Response speed per channel	5 ms
Rated working voltage ⁽³⁾	30V AC/30V DC
Common mode voltage range ⁽⁴⁾	10V DC max per channel
Common mode rejection	> 60 dB @ 50 and 60 Hz with the 10 Hz filter selected
Input impedance	Current: 150 Ω Voltage: 150 kΩ
Accuracy ⁽⁵⁾	Current: ±0.6% full scale @ 25 °C (77 °F) Voltage: ±0.7% full scale @ 25 °C (77 °F)
Overall accuracy	Current: ±0.8% full scale @ 0...60 °C (32...140 °F) Voltage: ±0.9% full scale @ 0...60 °C (32...140 °F)

Table 13 - 1769-IF4XOF2 Input Specifications

Attribute	1769-IF4XOF2
Accuracy drift with temperature	Current: $\pm 0.006\%$ per $^{\circ}\text{C}$ Voltage: $\pm 0.006\%$ per $^{\circ}\text{C}$
Nonlinearity	$\pm 0.4\%$
Repeatability ⁽⁶⁾	$\pm 0.4\%$
Overload at input terminals, max ⁽⁷⁾	Current: ± 32 mA continuous, ± 5 V DC Voltage: ± 20 V DC continuous, 0.1 mA
Isolation voltage	500V AC or 710V DC for 1 minute (qualification test), group to bus 30V AC/30V DC working voltage (IEC Class 2 reinforced insulation)

- (1) The over- or under-range flag will come on when the normal operating range (over/under) is exceeded. The module will continue to convert the analog input up to the maximum full scale range. The flag automatically resets when within the normal operating range.
- (2) Resolution is dependent upon your filter selection. The maximum resolution is achieved with either the 50 or 60 Hz filter selected.
- (3) Rated working voltage is the maximum continuous voltage that can be applied at the input terminal, including the input signal and the value that floats above ground potential (for example, 10V DC input signal and 20V DC potential above ground).
- (4) For proper operation, both the plus and minus input terminals must be within ± 10 V DC of analog common.
- (5) Includes offset, gain, nonlinearity, and repeatability error terms.
- (6) Repeatability is the ability of the input module to register the same reading in successive measurements for the same input signal.
- (7) Damage may occur to the input circuit if this value is exceeded.

Table 14 - 1769-IF4XOF2 Output Specifications

Attribute	1769-IF4XOF2
Outputs	2 single-ended
Output range	0...10V 0...20 mA
Full scale range ⁽¹⁾	0...10.5V 0...21 mA
Converter type	Resistor string
Resolution	8 bits plus sign
Response speed per channel	0.3 ms for rated resistance and rated inductance 3.0 ms for rated capacitance
Current load on voltage output, max	10 mA
Resistive load on current output	0...300 Ω (includes wire resistance)
Load range on voltage output	> 1 k Ω
Inductive load, max	Current: 0.1 mH Voltage: 1 μF
Accuracy ⁽²⁾	Current: $\pm 0.5\%$ full scale @ 25 $^{\circ}\text{C}$ (77 $^{\circ}\text{F}$) Voltage: $\pm 0.5\%$ full scale @ 25 $^{\circ}\text{C}$ (77 $^{\circ}\text{F}$)
Overall accuracy	Current: $\pm 1.0\%$ full scale @ 0...60 $^{\circ}\text{C}$ (32...140 $^{\circ}\text{F}$) Voltage: $\pm 0.6\%$ full scale @ 0...60 $^{\circ}\text{C}$ (32...140 $^{\circ}\text{F}$)
Accuracy drift with temperature	Current: $\pm 0.01\%$ per $^{\circ}\text{C}$ Voltage: $\pm 0.01\%$ per $^{\circ}\text{C}$
Output ripple ⁽³⁾	$\pm 0.05\%$ @ 0...50 kHz
Nonlinearity	$\pm 0.4\%$
Repeatability ⁽⁴⁾	$\pm 0.05\%$

Table 14 - 1769-IF4XOF2 Output Specifications

Attribute	1769-IF4XOF2
Output impedance	10 k Ω
Open and short-circuit protection	Yes
Short-circuit, max	40 mA
Open circuit, max	15V
Output response at system powerup and power down	+2.0...-1.0V DC spike for < 6 ms
Isolation voltage	500V AC or 710V DC for 1 min (qualification test), output group to bus 30V AC/30V DC working voltage (IEC Class 2 reinforced insulation)

- (1) The over- or under-range flag will come on when the normal operating range (over/under) is exceeded. The module will continue to convert the analog input up to the maximum full scale range. The flag automatically resets when within the normal operating range.
- (2) Includes offset, gain, nonlinearity, and repeatability error terms.
- (3) Output ripple is the amount a fixed output varies with time, assuming a constant load and temperature.
- (4) Repeatability is the ability of the input module to register the same reading in successive measurements for the same input signal.

Table 15 - Response Speed - 1769-IF4XOF2

Fixed Filter Frequency	Filter Cut-off Frequency	Step Response % Complete	Step Response Time
2.7 kHz	2.7 kHz	63 %	59 μ s
2.7 kHz	2.7 kHz	90 %	136 μ s (nom)

Table 16 - Certifications - 1769-IF4XOF2

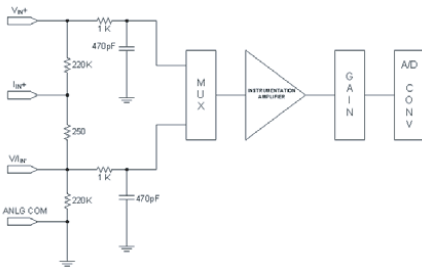
Certification ⁽¹⁾	1769-IF4XOF2
c-UL	C-UL certified (under CSA C22.2 No. 142) UL 508 listed Class I, Division 2 Group A,B,C,D Hazardous Locations (UL 1604, C-UL under CSA C22.2 No. 213)
CE	CE compliant for all applicable directives
C-Tick	C-Tick compliant for all applicable directives Australian Radiocommunications Act, compliant with: <ul style="list-style-type: none"> AS/NZS CISPR 11; Industrial Enclosure

- (1) When marked. See the Product Certification link at <http://www.ab.com> for Declarations of Conformity, Certificates, and other certification details.

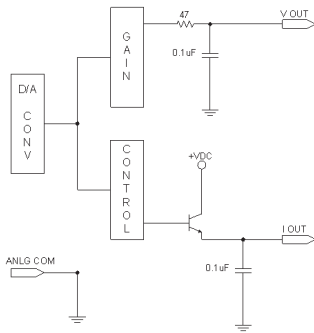
1769-IF4FXOF2F

Compact combination fast input/output analog module

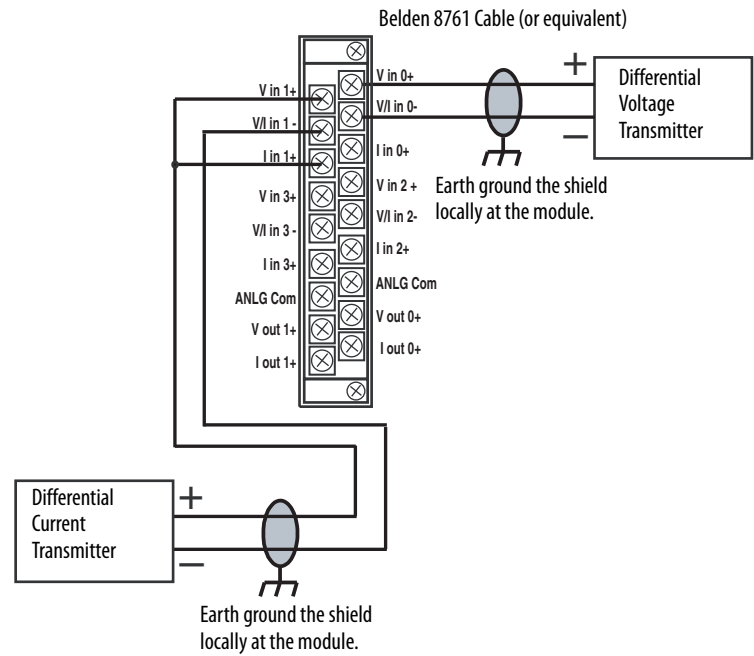
Simplified Input Circuit Diagram



Simplified Output Circuit Diagram

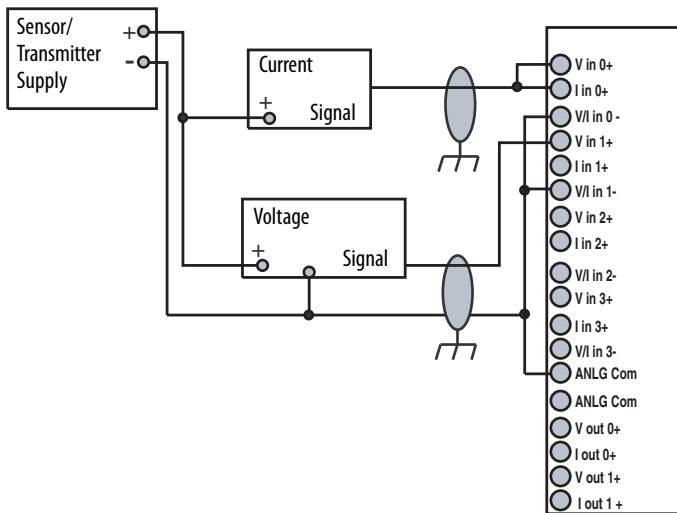


1769-IF4FXOF2F Differential Inputs



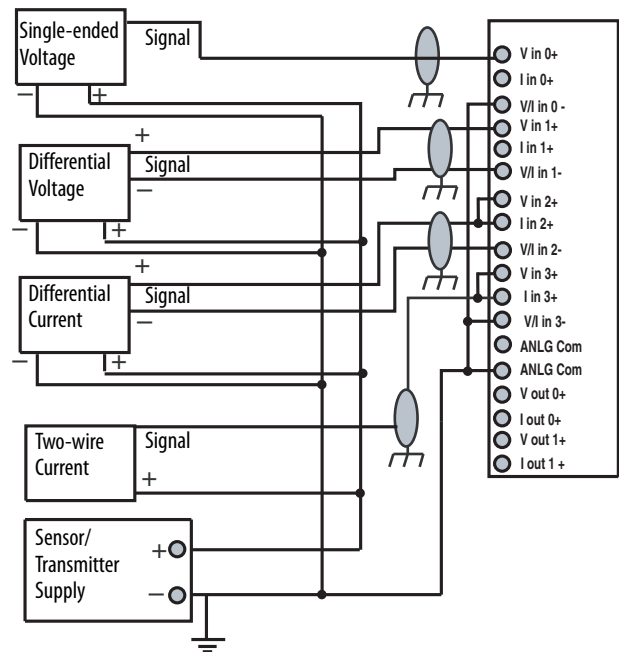
The sensor power supply must be rated Class 2.

1769-IF4FXOF2F Single-ended Sensor/Transmitter Inputs



The sensor power supply must be rated Class 2.

1769-IF4FXOF2F Mixed Transmitter Inputs



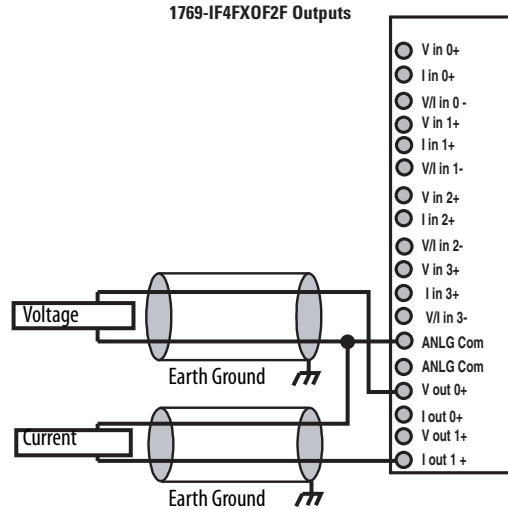


Table 17 - Technical Specifications - 1769-IF4FXOF2F

Attribute	1769-IF4FXOF2F
Current draw @ 5.1V	220 mA
Current draw @ 24V	120 mA
Heat dissipation, max	3.39 W
Weight, approx	290 g (0.64 lb)
Dimensions (HxWxD), approx	118 x 35 x 87 mm (4.65 x 1.38 x 3.43 in.) Height with mounting tabs 138 mm (5.43 in.)
Slot width	1
Module location	DIN rail or panel mount
Power supply	1769-PA2, 1769-PB2, 1769-PA4, 1769-PB4
Power supply distance rating	8 modules
Terminal screw torque	0.68 N•m (6 lb•in)
Retaining screw torque	0.46 N•m (4.1 lb•in)
Wire size	(22...14 AWG) solid (22...16 AWG) stranded
Wire type	Cu-90 °C (194 °F)
Replacement terminal block	1769-RTBN18 (1 per kit)
Replacement door label	1769-RL2 series B (2 per kit)
Replacement door	1769-RD (2 per kit)
Vendor ID code	1
Product type code	10
Product code	43
Input words	10
Output words	4
Configuration words	42
Enclosure type rating	None (open-style)

Table 18 - 1769-IF4FX0F2F Input Specifications

Attribute	1769-IF4FX0F2F
Inputs	4 differential or single-ended
Input range	±10V 0...10V 0...5V 1...5V 0...20 mA 4...20 mA
Full scale range ⁽¹⁾	±10.5V -0.5...10.5V -0.5...5.25V 0.5...5.25V 0...21 mA 3.2...21 mA
Converter type	Successive approximation
Resolution ⁽²⁾	14 bits (unipolar) 14 bits plus sign (bipolar)
Rated working voltage ⁽³⁾	30V AC/30V DC
Common mode voltage range ⁽⁴⁾	±10V DC max per channel
Common mode rejection	> 70 dB @ 50 and 60 Hz with the 10 Hz filter selected
Input impedance	Current: 250 Ω Voltage: 220 kΩ
Accuracy ⁽⁵⁾	Current: ±0.2% full scale @ 25 °C (77 °F) Voltage: ±0.15% full scale @ 25 °C (77 °F)
Accuracy drift with temperature	Current: ±0.0045% per °C Voltage: ±0.003% per °C
Nonlinearity	±0.03%
Repeatability ⁽⁶⁾	±0.03%
Module error	Current: ±0.3% Voltage: ±0.2%
Overload at input terminals, max ⁽⁷⁾	Current: ±32 mA continuous, ±7.6V DC Voltage: ±30V DC continuous, 0.1 mA
Isolation voltage	500V AC or 710V DC for 1 minute (qualification test), group to bus 30V AC/30V DC working voltage (IEC Class 2 reinforced insulation)

(1) The over- or under-range flag will come on when the normal operating range (over/under) is exceeded. The module will continue to convert the analog input up to the maximum full scale range. The flag automatically resets when within the normal operating range.

(2) Resolution is dependent upon your filter selection. The maximum resolution is achieved with either the 50 or 60 Hz filter selected.

(3) Rated working voltage is the maximum continuous voltage that can be applied at the input terminal, including the input signal and the value that floats above ground potential (for example, 10V DC input signal and 20V DC potential above ground).

(4) For proper operation, both the plus and minus input terminals must be within ±10V DC of analog common.

(5) Includes offset, gain, nonlinearity, and repeatability error terms.

(6) Repeatability is the ability of the input module to register the same reading in successive measurements for the same input signal.

(7) Damage may occur to the input circuit if this value is exceeded.

Table 19 - 1769-IF4FXOF2F Output Specifications

Attribute	1769-IF4FXOF2F
Outputs	2 single-ended
Output range	±10V 0...10V 0...5V 1...5V 0...20 mA 4...20 mA
Full scale range ⁽¹⁾	±10.5V -0.5...10.5V -0.5...5.25V 0.5...5.25V 0...21 mA 3.2...21 mA
Resolution	13 bits (unipolar) 13 bits plus sign (bipolar)
Conversion rate (all channels), max	1 ms
Step response to 63% ⁽²⁾	2.0 ms
Current load on voltage output, max	10 mA
Resistive load	Current: 0...500 Ω (includes wire resistance) Voltage: 1 kΩ or greater
Inductive load, max	Current: 0.1 mH Voltage: 1 μF
Field calibration	None required
Accuracy ⁽³⁾	±0.2% full scale @ 25 °C (77 °F)
Accuracy drift with temperature	Current: ±0.0058% per °C Voltage: ±0.0086% per °C
Output ripple ⁽⁴⁾	±0.05% @ 0...50 kHz
Nonlinearity	±0.05%
Repeatability ⁽⁵⁾	±0.05%
Module error	Current: ±0.4% Voltage: ±0.3%
Open and short-circuit protection	Yes
Short-circuit protection, max	50 mA
Output overvoltage protection	Yes
Rated working voltage ⁽⁶⁾	30V AC/30V DC
Isolation voltage	500V AC or 710V DC for 1 min (qualification test), output group to bus 30V AC/30V DC working voltage (IEC Class 2 reinforced insulation)

(1) The over- or under-range flag will come on when the normal operating range (over/under) is exceeded. The module will continue to convert the analog input up to the maximum full scale range. The flag automatically resets when within the normal operating range.

(2) Step response is the period of time between when the D/A converter was instructed to go from minimum to full range until the device is at 63% of full range.

(3) Includes offset, gain, nonlinearity, and repeatability error terms.

(4) Output ripple is the amount a fixed output varies with time, assuming a constant load and temperature.

(5) Repeatability is the ability of the input module to register the same reading in successive measurements for the same input signal.

(6) Rated working voltage is the maximum continuous voltage that can be applied at the input terminal, including the input signal and the value that floats above ground potential (for example, 10V DC input signal and 20V DC potential above ground).

Table 20 - Response Speed - 1769-IF4FX0F2F

Filter Frequency	Channel Step Response
5 Hz	802 ms
10 Hz	401 ms
50 Hz	81 ms
60 Hz	65 ms
100 Hz	42 ms
250 Hz	17 ms
500 Hz	10 ms
1000 Hz	5 ms

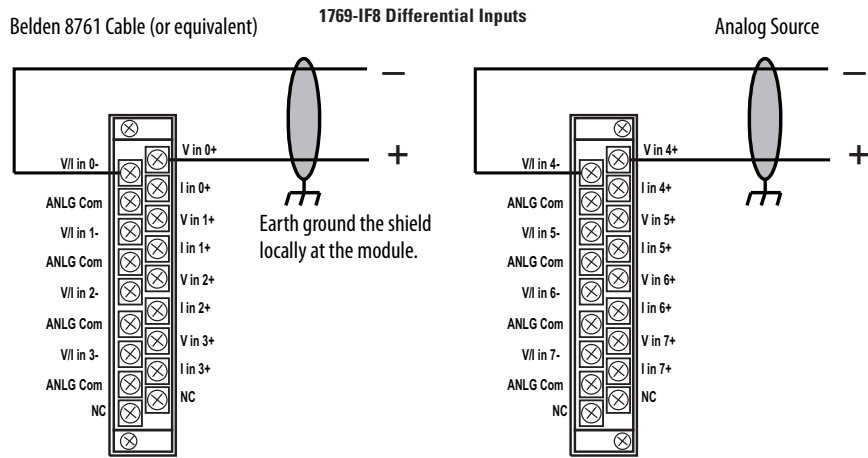
Table 21 - Certifications - 1769-IF4FX0F2F

Certification ⁽¹⁾	1769-IF4FX0F2F
c-UL	C-UL certified (under CSA C22.2 No. 142) UL 508 listed Class I, Division 2 Group A,B,C,D Hazardous Locations (UL 1604, C-UL under CSA C22.2 No. 213)
CE	CE compliant for all applicable directives

(1) When marked. See the Product Certification link at <http://www.ab.com> for Declarations of Conformity, Certificates, and other certification details.

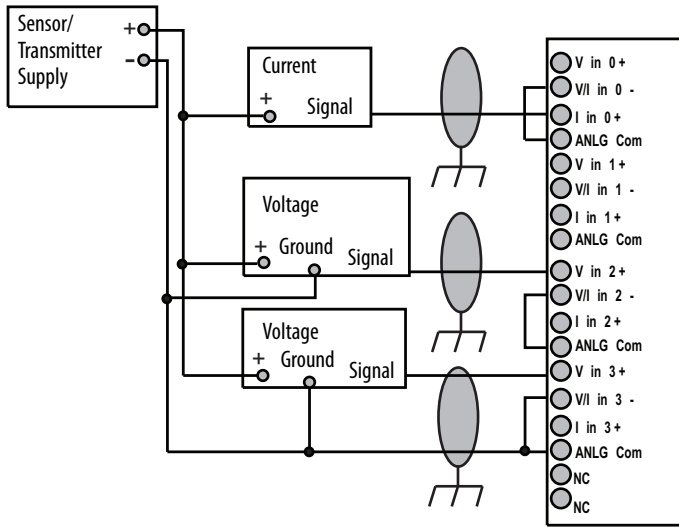
1769-IF8

Compact voltage/current analog input module



1769-IF8 Single-ended Sensor/Transmitter Inputs

The sensor power supply must be rated Class 2.



Wiring for channels 4...7 are identical.

1769-IF8 Mixed Transmitter Inputs

The sensor power supply must be rated Class 2.

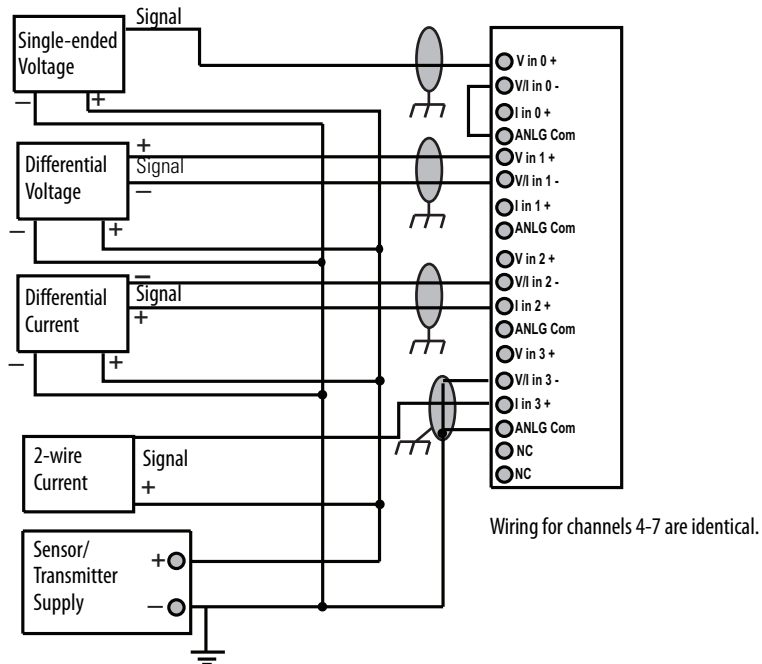


Table 22 - Technical Specifications - 1769-IF8

Attribute	1769-IF8
Inputs	8 differential or single-ended
Input range	±10V 0...10V 0...5V 1...5V 0...20 mA 4...20 mA
Full scale range ⁽¹⁾	±10.5V -0.5...10.5V -0.5...5.25V 0.5...5.25V 0...21 mA 3.2...21 mA
Current draw @ 5.1V	120 mA
Current draw @ 24V	70 mA
Converter type	Delta Sigma
Heat dissipation, max	3.24 W
Resolution ⁽²⁾	16 bits (unipolar) 15 bits plus sign (bipolar)
Rated working voltage ⁽³⁾	30V AC/30V DC
Common mode voltage range ⁽⁴⁾	±10V DC max per channel
Common mode rejection	> 60 dB @ 50 and 60 Hz with the 10 Hz filter selected
Normal mode rejection ratio	-50 dB @ 50 and 60 Hz with the 10 Hz filter selected
Input impedance	Voltage: 220 kΩ Current: 250 Ω

Table 22 - Technical Specifications - 1769-IF8

Attribute	1769-IF8
Accuracy ⁽⁵⁾	Voltage: $\pm 0.2\%$ full scale @ 25 °C (77 °F) Current: $\pm 0.35\%$ full scale @ 25 °C (77 °F)
Accuracy drift with temperature	Voltage: $\pm 0.003\%$ per °C Current: $\pm 0.0045\%$ per °C
Nonlinearity	$\pm 0.03\%$
Repeatability ⁽⁶⁾	$\pm 0.03\%$
Module error	Voltage: $\pm 0.3\%$ Current: $\pm 0.5\%$
Overload at input terminals, max ⁽⁷⁾	Voltage: $\pm 30\text{V}$ DC continuous, 0.1 mA Current: ± 32 mA continuous, $\pm 7.6\text{V}$ DC
Isolation voltage	500V AC or 710V DC for 1 minute (qualification test), group to bus 30V AC/30V DC working voltage (IEC Class 2 reinforced insulation)
Weight, approx	450 g (0.99 lb)
Dimensions (HxWxD), approx	118 x 52.5 x 87 mm (4.65 x 2.07 x 3.43 in.) Height with mounting tabs 138 mm (5.43 in.)
Slot width	1.5
Module location	DIN rail or panel mount
Power supply	1769-PA2, 1769-PB2, 1769-PA4, 1769-PB4
Power supply distance rating	8 modules
Terminal screw torque	0.68 N•m (6 lb•in)
Retaining screw torque	0.46 N•m (4.1 lb•in)
Wire size	(22...14 AWG) solid (22...16 AWG) stranded
Wire type	Cu-90 °C (194 °F)
Replacement terminal block	1769-RTBN18 (1 per kit)
Replacement door label	1769-RL2 series B (2 per kit)
Replacement door	1769-RD (2 per kit)
Vendor ID code	1
Product type code	10
Product code	38
Enclosure type rating	None (open-style)

- (1) The over- or under-range flag will come on when the normal operating range (over/under) is exceeded. The module will continue to convert the analog input up to the maximum full scale range. The flag automatically resets when within the normal operating range.
- (2) Resolution is dependent upon your filter selection. The maximum resolution is achieved with either the 50 or 60\ Hz filter selected.
- (3) Rated working voltage is the maximum continuous voltage that can be applied at the input terminal, including the input signal and the value that floats above ground potential (for example, 10V DC input signal and 20V DC potential above ground).
- (4) For proper operation, both the plus and minus input terminals must be within $\pm 10\text{V}$ DC of analog common.
- (5) Includes offset, gain, nonlinearity, and repeatability error terms.
- (6) Repeatability is the ability of the input module to register the same reading in successive measurements for the same input signal.
- (7) Damage may occur to the input circuit if this value is exceeded.

Table 23 - Response Speed - 1769-IF8

Filter Frequency	Update Time Per Channel	Update Time Per Module
10Hz	100 ms	400 ms
50 Hz	30 ms	120 ms
60 Hz	30 ms	120 ms
250 Hz	9 ms	36 ms
500 Hz	6 ms	24 ms

Table 24 - Certifications - 1769-IF8

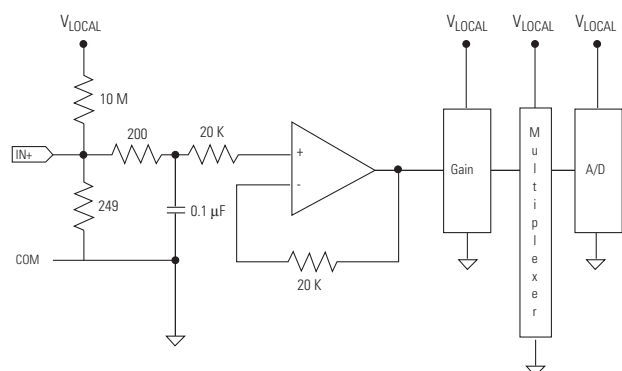
Certification ⁽¹⁾	1769-IF8
c-UL	C-UL certified (under CSA C22.2 No. 142) UL 508 listed Class I, Division 2 Group A,B,C,D Hazardous Locations (UL 1604, C-UL under CSA C22.2 No. 213)
CE	CE compliant for all applicable directives
C-Tick	Australian Radiocommunications Act, compliant with: <ul style="list-style-type: none"> AS/NZS CISPR 11; Industrial Enclosure

(1) When marked. See the Product Certification link at <http://www.ab.com> for Declarations of Conformity, Certificates, and other certification details.

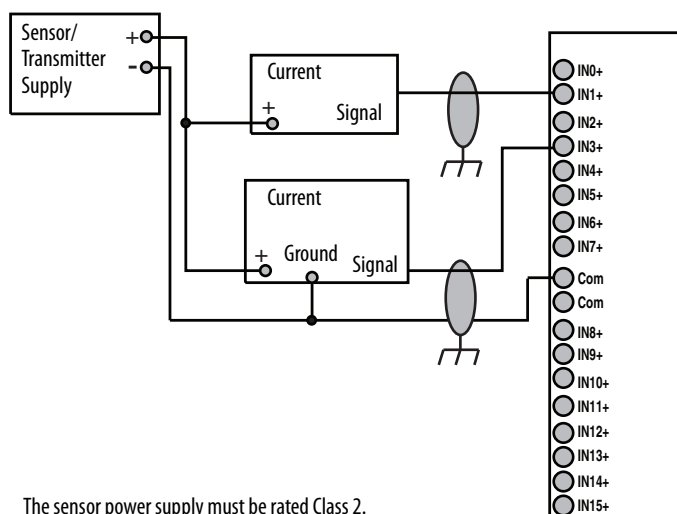
1769-IF16C

Compact current analog input module

Simplified Input Circuit Diagram



1769-IF16C Sensor/Transmitter Inputs



The sensor power supply must be rated Class 2.

Table 25 - Technical Specifications - 1769-IF16C

Attribute	1769-IF16C
Inputs	16 single-ended
Input range	0...20 mA 4...20 mA
Full scale range ⁽¹⁾	0...21 mA 3.2...21 mA
Current draw @ 5.1V	190 mA
Current draw @ 24V	70 mA
Heat dissipation, max	4.0 W
Converter type	Sigma Delta
Resolution ⁽²⁾	16 bits (unipolar) 15 bits plus sign (bipolar)
Rated working voltage ⁽³⁾	30V AC/30V DC
Common mode voltage range ⁽⁴⁾	±10V DC max per channel
Common mode rejection	> 60 dB @ 50 and 60 Hz with the 16 Hz filter selected
Input impedance	249 Ω
Accuracy ⁽⁵⁾	±0.5% full scale @ 25 °C (77 °F)
Accuracy drift with temperature	±0.0045% per °C
Nonlinearity	±0.03%
Repeatability ⁽⁶⁾	±0.03%
Module error	1.25%
Overload at input terminals, max ⁽⁷⁾	±28 mA continuous, ±7.6V DC
Isolation voltage	500V AC or 710V DC for 1 minute (qualification test), group to bus 30V AC/30V DC working voltage (IEC Class 2 reinforced insulation)
Weight, approx	281 g (0.62 lb)
Dimensions (HxWxD), approx	118 x 35 x 87 mm (4.65 x 1.38 x 3.43 in.) Height with mounting tabs 138 mm (5.43 in.)
Slot width	1
Module location	DIN rail or panel mount

Table 25 - Technical Specifications - 1769-IF16C

Attribute	1769-IF16C
Power supply	1769-PA2, 1769-PB2, 1769-PA4, 1769-PB4
Power supply distance rating	8 modules
Terminal screw torque	0.68 N•m (6 lb•in)
Retaining screw torque	0.46 N•m (4.1 lb•in)
Wire size	(22...14 AWG) solid (22...16 AWG) stranded
Wire type	Cu-90 °C (194 °F)
Replacement terminal block	1769-RTBN18 (1 per kit)
Replacement door label	1769-RL2 series B (2 per kit)
Replacement door	1769-RD (2 per kit)
Vendor ID code	1
Product type code	10
Product code	47
Input words	22
Output words	2
Configuration words	98
Enclosure type rating	None (open-style)

- (1) The over- or under-range flag will come on when the normal operating range (over/under) is exceeded. The module will continue to convert the analog input up to the maximum full scale range. The flag automatically resets when within the normal operating range.
- (2) Resolution is dependent upon your filter selection. The maximum resolution is achieved with either the 50 or 60 Hz filter selected.
- (3) Rated working voltage is the maximum continuous voltage that can be applied at the input terminal, including the input signal and the value that floats above ground potential (for example, 10V DC input signal and 20V DC potential above ground).
- (4) For proper operation, both the plus and minus input terminals must be within $\pm 10V$ DC of analog common.
- (5) Includes offset, gain, nonlinearity, and repeatability error terms.
- (6) Repeatability is the ability of the input module to register the same reading in successive measurements for the same input signal.
- (7) Damage may occur to the input circuit if this value is exceeded.

Table 26 - Response Speed - 1769-IF16C

Filter Frequency	Step Response	Update per Input Pair	Update per Module
16 Hz	1550 ms	200 ms	1600 ms
50 Hz	500 ms	70 ms	560 ms
60 Hz	420 ms	60 ms	480 ms
315 Hz	90 ms	15 ms	120 ms
1365 Hz	35 ms	5 ms	40 ms

Table 27 - Certifications - 1769-IF16C

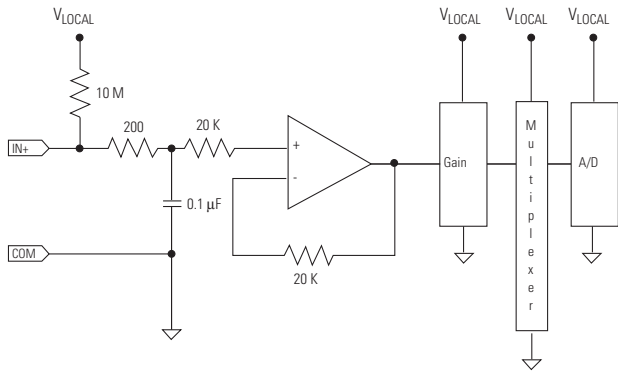
Certification ⁽¹⁾	1769-IF16C
c-UL	C-UL certified (under CSA C22.2 No. 142) UL 508 listed Class I, Division 2 Group A,B,C,D Hazardous Locations (UL 1604, C-UL under CSA C22.2 No. 213)
CE	CE compliant for all applicable directives

- (1) When marked. See the Product Certification link at <http://www.ab.com> for Declarations of Conformity, Certificates, and other certification details.

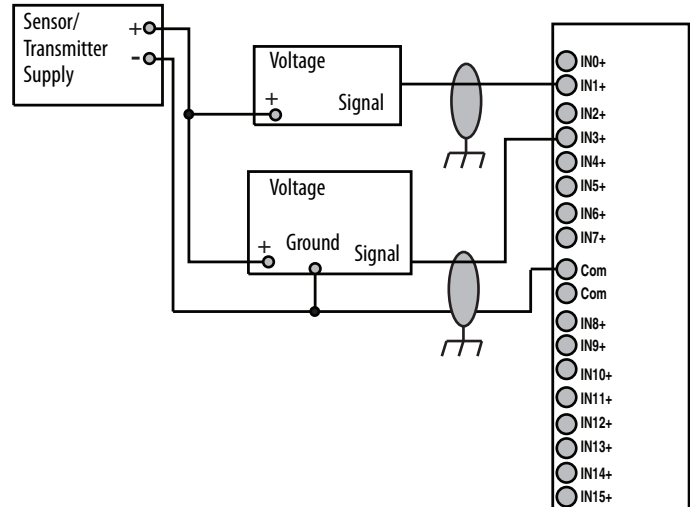
1769-IF16V

Compact voltage analog input module

Simplified Input Circuit Diagram



1769-IF16V Sensor/Transmitter Inputs



The sensor power supply must be rated Class 2.

Table 28 - Technical Specifications - 1769-IF16V

Attribute	1769-IF16V
Inputs	16 single-ended
Input range	±10V 0...10V 0...5V 1...5V
Full scale range ⁽¹⁾	±10.5V -0.5...10.5V -0.5...5.25V 0.5...5.25V
Current draw @ 5.1V	190 mA
Current draw @ 24V	70 mA
Heat dissipation, max	2.4 W
Converter type	Sigma Delta
Resolution ⁽²⁾	16 bits (unipolar) 15 bits plus sign (bipolar)
Rated working voltage ⁽³⁾	30V AC/30V DC
Common mode voltage range ⁽⁴⁾	±10V DC max per channel
Common mode rejection	> 60 dB @ 50 and 60 Hz with the 16 Hz filter selected
Input impedance	> 1MΩ
Accuracy ⁽⁵⁾	±0.35% full scale @ 25 °C (77 °F)
Accuracy drift with temperature	±0.03% per °C
Nonlinearity	±0.03%

Table 28 - Technical Specifications - 1769-IF16V

Attribute	1769-IF16V
Repeatability ⁽⁶⁾	±0.06%
Module error	1.0%
Overload at input terminals, max ⁽⁷⁾	±30 mA continuous, ±7.6V DC
Isolation voltage	500V AC or 710V DC for 1 minute (qualification test), group to bus 30V AC/30V DC working voltage (IEC Class 2 reinforced insulation)
Weight, approx	281 g (0.62 lb)
Dimensions (HxWxD), approx	118 x 35 x 87 mm (4.65 x 1.38 x 3.43 in.) Height with mounting tabs 138 mm (5.43 in.)
Slot width	1
Module location	DIN rail or panel mount
Power supply	1769-PA2, 1769-PB2, 1769-PA4, 1769-PB4
Power supply distance rating	8 modules
Terminal screw torque	0.68 N•m (6 lb•in)
Retaining screw torque	0.46 N•m (4.1 lb•in)
Wire size	(22...14 AWG) solid (22...16 AWG) stranded
Wire type	Cu-90 °C (194 °F)
Replacement terminal block	1769-RTBN18 (1 per kit)
Replacement door label	1769-RL2 series B (2 per kit)
Replacement door	1769-RD (2 per kit)
Vendor ID code	1
Product type code	10
Product code	46
Input words	22
Output words	2
Configuration words	98
Enclosure type rating	None (open-style)

- (1) The over- or under-range flag will come on when the normal operating range (over/under) is exceeded. The module will continue to convert the analog input up to the maximum full scale range. The flag automatically resets when within the normal operating range.
- (2) Resolution is dependent upon your filter selection. The maximum resolution is achieved with either the 50 or 60 Hz filter selected.
- (3) Rated working voltage is the maximum continuous voltage that can be applied at the input terminal, including the input signal and the value that floats above ground potential (for example, 10V DC input signal and 20V DC potential above ground).
- (4) For proper operation, both the plus and minus input terminals must be within ±10V DC of analog common.
- (5) Includes offset, gain, nonlinearity, and repeatability error terms.
- (6) Repeatability is the ability of the input module to register the same reading in successive measurements for the same input signal.
- (7) Damage may occur to the input circuit if this value is exceeded.

Table 29 - Response Speed - 1769-IF16V

Filter Frequency	Step Response	Update per Input Pari	Update per Module
16 Hz	1550 ms	200 ms	1600 ms
50 Hz	500 ms	70 ms	560 ms
60 Hz	420 ms	60 ms	480 ms
315 Hz	90 ms	15 ms	120 ms
1365 Hz	35 ms	5 ms	40 ms

Table 30 - Certifications - 1769-IF16V

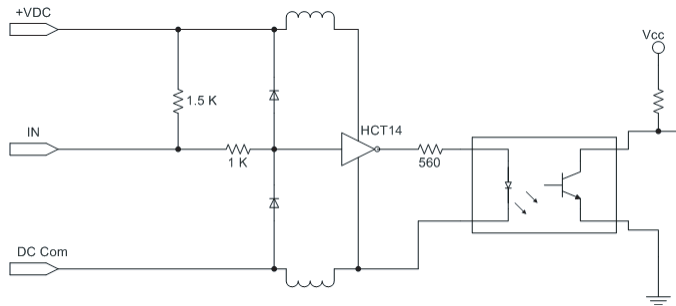
Certification ⁽¹⁾	1769-IF16V
c-UL	C-UL certified (under CSA C22.2 No. 142) UL 508 listed Class I, Division 2 Group A,B,C,D Hazardous Locations (UL 1604, C-UL under CSA C22.2 No. 213)
CE	CE compliant for all applicable directives

(1) When marked. See the Product Certification link at <http://www.ab.com> for Declarations of Conformity, Certificates, and other certification details.

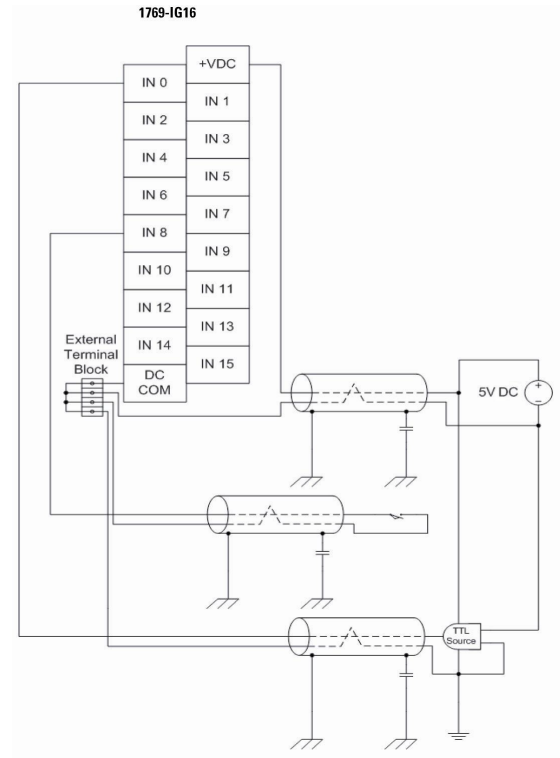
1769-IG16

Compact TTL input module

Simplified Input Circuit Diagram



- Use Belden 8761, or equivalent, shielded wire.
- Do not connect more than 2 wires to any single terminal.
- DC power cable and I/O cables should not exceed 10 m (30 ft).
- The capacitors shown above must be 0.01µF and rated for 2000V min.
- User power supply must be rated Class 2 with a 5V DC range of 4.5 . . . 5.5V DC.



Low to True Format - 1769-IG16

- -0.2...0.8V = Input guaranteed to be in on-state
- 0.8...2.0V = Input state not guaranteed
- 2.0...5.5V = Input guaranteed to be in off-state

Table 31 - Technical Specifications - 1769-IG16

Attribute	1769-IG16
Inputs	16
Voltage category	5V DC TTL source (Low= True) ⁽¹⁾
Operating voltage range	4.5 . . . 5.5V DC 50 mV peak-to-peak ripple max
Input delay, on	20 ms
Digital filter, off to on	0 s, 100 µs, 500 µs, 1 ms, 2 ms, 4 ms, 8 ms
Digital filter, on to off	0 s, 100 µs, 500 µs, 1 ms, 2 ms, 4 ms, 8 ms
Current draw @ 5.1V	120 mA
Heat dissipation, max	1.6 W
Off-state voltage, typical	2.0 . . . 5.5V DC
Off-state current, max	4.1 mA

Table 31 - Technical Specifications - 1769-IG16

Attribute	1769-IG16
On-state voltage, typical	-0.2...0.8V DC
On-state current, nom	3.7 mA @ 5V DC
Isolation voltage	Verified by one of the following dielectric tests: 1200V AC for 2 s or 1697V DC for 2 s, input point to bus 75V DC working voltage (IEC Class 2 reinforced insulation)
Weight, approx	250 g (0.55 lb)
Dimensions (HxWxD), approx	118 x 35 x 87 mm (4.65 x 1.38 x 3.43 in.) Height with mounting tabs 138 mm (5.43 in.)
Slot width	1
Module location	DIN rail or panel mount
Power supply	1769-PA2, 1769-PB2, 1769-PA4, 1769-PB4
Power supply distance rating	8 modules
Terminal screw torque	0.68 N•m (6 lb•in)
Retaining screw torque	0.46 N•m (4.1 lb•in)
Wire size	(22...14 AWG) solid (22...16 AWG) stranded
Wire type	Cu-90 °C (194 °F)
IEC input compatibility	No
Vendor ID code	1
Product type code	7
Product code	77
Input words	1
Output words	0
Configuration words	4
Enclosure type rating	None (open-style)

(1) TTL inputs are inverted (-0.2 to +0.8 = low voltage = True = On.) Use a NOT instruction in your program to convert to traditional True = High logic.

Table 32 - Certifications - 1769-IG16

Certification ⁽¹⁾	1769-IG16
c-UL	C-UL certified (under CSA C22.2 No. 142) UL 508 listed Class I, Division 2 Group A,B,C,D Hazardous Locations (UL 1604, C-UL under CSA C22.2 No. 213)
CE	CE compliant for all applicable directives

(1) When marked. See the Product Certification link at <http://www.ab.com> for Declarations of Conformity, Certificates, and other certification details.

1769-IM12

Compact 240V AC input module

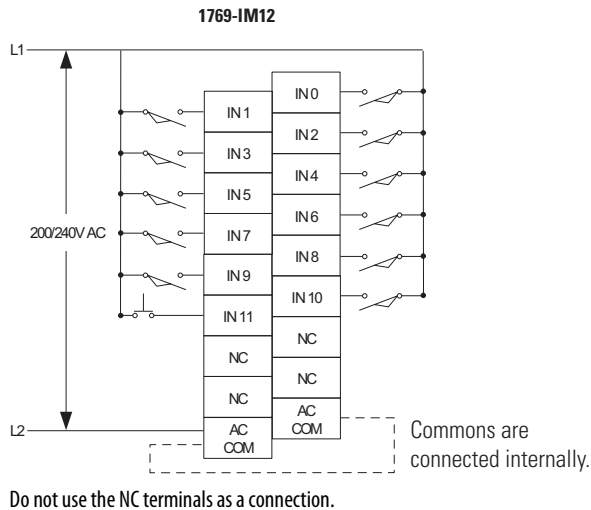


Table 33 - Technical Specifications - 1769-IM12

Attribute	1769-IM12
Inputs	12 (12 points/group, internally connected commons)
Voltage category	200/240V AC
Operating voltage range	159...265V AC, 47...63 Hz
Input delay, on	20 ms
Input delay, off	20 ms
Current draw @ 5.1V	100 mA
Heat dissipation, max	3.65 W
Off-state voltage, max	40V AC
Off-state current, max	2.5 mA
On-state voltage, min	159V AC
On-state current, min	5 mA @ 74V AC
On-state current, max	12 mA @ 120V AC
Inrush current, max ⁽¹⁾	250 mA
Input impedance, max	27 k Ω @ 50 Hz 23 k Ω @ 60 Hz
Isolation voltage	Verified by one of the following dielectric tests: 1836V AC for 1 s or 2596V DC for 1 s, input point to bus 132V AC working voltage (IEC Class 2 reinforced insulation)
Weight, approx	300 g (0.61 lb)
Dimensions (HxWxD), approx	118 x 35 x 87 mm (4.65 x 1.38 x 3.43 in.) Height with mounting tabs 138 mm (5.43 in.)
Slot width	1

Table 33 - Technical Specifications - 1769-IM12

Attribute	1769-IM12
Module location	DIN rail or panel mount
Power supply	1769-PA2, 1769-PB2, 1769-PA4, 1769-PB4
Power supply distance rating	8 modules
Terminal screw torque	0.68 N•m (6 lb•in)
Retaining screw torque	0.46 N•m (4.1 lb•in)
Wire size	(22...14 AWG) solid (22...16 AWG) stranded
Wire type	Cu-90 °C (194 °F)
IEC input compatibility	Type 1+
Replacement terminal block	1769-RTBN18 (1 per kit)
Replacement door label	1769-RL1 (2 per kit)
Replacement door	1769-RD (2 per kit)
Vendor ID code	1
Product type code	7
Product code	83
Enclosure type rating	None (open-style)

(1) A current limiting resistor can be used to limit inrush current; however, the operating characteristics of the AC input circuit will be affected. If a 6.8 k Ω (2.5W minimum) resistor is placed in series with the input, the inrush current is reduced to 35 mA. In this configuration the minimum on-state voltage increases to 92V AC. Before adding the resistor in a hazardous environment, be sure to consider the operating temperature of the resistor and the temperature limits of the environment. The operating temperature of the resistor must remain below the temperature limit of the environment.

Table 34 - Certifications - 1769-IM12

Certification ⁽¹⁾	1769-IM12
c-UL	C-UL certified (under CSA C22.2 No. 142) UL 508 listed Class I, Division 2 Group A,B,C,D Hazardous Locations (UL 1604, C-UL under CSA C22.2 No. 213)
CE	CE compliant for all applicable directives
C-Tick	Australian Radiocommunications Act, compliant with: <ul style="list-style-type: none"> AS/NZS CISPR 11; Industrial Enclosure

(1) When marked. See the Product Certification link at <http://www.ab.com> for Declarations of Conformity, Certificates, and other certification details.

1769-IQ16

Compact 24V DC sink/source input module

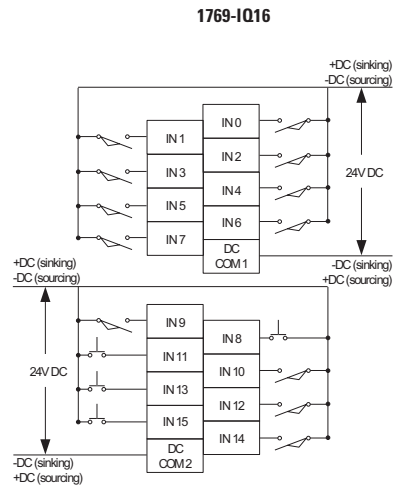


Table 35 - Technical Specifications - 1769-IQ16

Attribute	1769-IQ16
Inputs	16 (8 points/group)
Voltage category	24V DC sink/source
Operating voltage range	10...30V DC @ 30 °C (86 °F) 10...26.4V DC @ 60 °C (140 °F)
Input delay, on	8 ms
Input delay, off	8 ms
Current draw @ 5.1V	115 mA
Heat dissipation, max	3.55 W
Off-state voltage, max	5V DC
Off-state current, max	1.5 mA
On-state voltage, min	10V DC
On-state current, min	2 mA
Inrush current, max	250 mA
Input impedance, nom	3 k Ω
Isolation voltage	Verified by one of the following dielectric tests: 1200V AC for 1 s or 1697V DC for 1 s, input point to bus and group to group 75V DC working voltage (IEC Class 2 reinforced insulation)
Weight, approx	270 g (0.60 lb)
Dimensions (HxWxD), approx	118 x 35 x 87 mm (4.65 x 1.38 x 3.43 in.) Height with mounting tabs 138 mm (5.43 in.)
Slot width	1
Module location	DIN rail or panel mount
Power supply	1769-PA2, 1769-PB2, 1769-PA4, 1769-PB4
Power supply distance rating	8 modules

Table 35 - Technical Specifications - 1769-IQ16

Attribute	1769-IQ16
Terminal screw torque	0.68 N•m (6 lb•in)
Retaining screw torque	0.46 N•m (4.1 lb•in)
Wire size	(22...14 AWG) solid (22...16 AWG) stranded
Wire type	Cu-90 °C (194 °F)
IEC input compatibility	Type 1+
Replacement terminal block	1769-RTBN18 (1 per kit)
Replacement door label	1769-RL1 (2 per kit)
Replacement door	1769-RD (2 per kit)
Vendor ID code	1
Product type code	7
Product code	67
Enclosure type rating	None (open-style)

Table 36 - Certifications - 1769-IQ16

Certification ⁽¹⁾	1769-IQ16
c-UL	C-UL certified (under CSA C22.2 No. 142) UL 508 listed Class I, Division 2 Group A,B,C,D Hazardous Locations (UL 1604, C-UL under CSA C22.2 No. 213)
CE	CE compliant for all applicable directives
C-Tick	Australian Radiocommunications Act, compliant with: <ul style="list-style-type: none"> AS/NZS CISPR 11; Industrial Enclosure

(1) When marked. See the Product Certification link at <http://www.ab.com> for Declarations of Conformity, Certificates, and other certification details.

1769-IQ16F

Compact 24V DC sink/source, high-speed input module

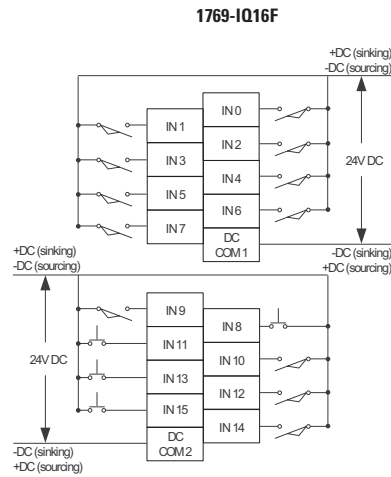


Table 37 - Technical Specifications - 1769-IQ16F

Attribute	1769-IQ16F
Inputs	16 (8 points/group)
Voltage category	24V DC sink/source
Operating voltage range	10...30V DC @ 30 °C (86 °F) 10...26.4V DC @ 60 °C (140 °F)
Digital filter, off to on	0 s, 100 μs, 500 μs, 1 ms, 2 ms
Digital filter, on to off	0 s, 100 μs, 500 μs, 1 ms, 2 ms
Input delay, off to on	100 μs, typical 300 μs, max
Input delay, on to off	250 μs, typical 1 ms, max
Current draw @ 5.1V	110 mA
Heat dissipation, max	3.55 W
Off-state voltage, max	5V DC
Off-state current, max	1.5 mA
On-state voltage, min	10V DC
On-state current, min	2 mA
Inrush current, max	250 mA
Input impedance, nom	3 kΩ
Isolation voltage	Verified by one of the following dielectric tests: 1200V AC for 1 s or 1697V DC for 1 s, input point to bus and group to group 75V DC working voltage (IEC Class 2 reinforced insulation)
Weight, approx	270 g (0.60 lb)
Dimensions (HxWxD), approx	118 x 35 x 87 mm (4.65 x 1.38 x 3.43 in.) Height with mounting tabs 138 mm (5.43 in.)

Table 37 - Technical Specifications - 1769-IQ16F

Attribute	1769-IQ16F
Slot width	1
Module location	DIN rail or panel mount
Power supply	1769-PA2, 1769-PB2, 1769-PA4, 1769-PB4
Power supply distance rating	8 modules
Terminal screw torque	0.68 N•m (6 lb•in)
Retaining screw torque	0.46 N•m (4.1 lb•in)
Wire size	(22...14 AWG) solid (22...16 AWG) stranded
Wire type	Cu-90 °C (194 °F)
IEC input compatibility	Type 1+
Replacement terminal block	1769-RTBN18 (1 per kit)
Replacement door label	1769-RL1 (2 per kit)
Replacement door	1769-RD (2 per kit)
Vendor ID code	1
Product type code	7
Product code	69
Enclosure type rating	None (open-style)

Table 38 - Certifications - 1769-IQ16F

Certification ⁽¹⁾	1769-IQ16F
c-UL	C-UL certified (under CSA C22.2 No. 142) UL 508 listed Class I, Division 2 Group A,B,C,D Hazardous Locations (UL 1604, C-UL under CSA C22.2 No. 213)
CE	CE compliant for all applicable directives
C-Tick	Australian Radiocommunications Act, compliant with: <ul style="list-style-type: none"> AS/NZS CISPR 11; Industrial Enclosure

(1) When marked. See the Product Certification link at <http://www.ab.com> for Declarations of Conformity, Certificates, and other certification details.

1769-IQ32

Compact 24V DC sink/source input module

1769-IQ32

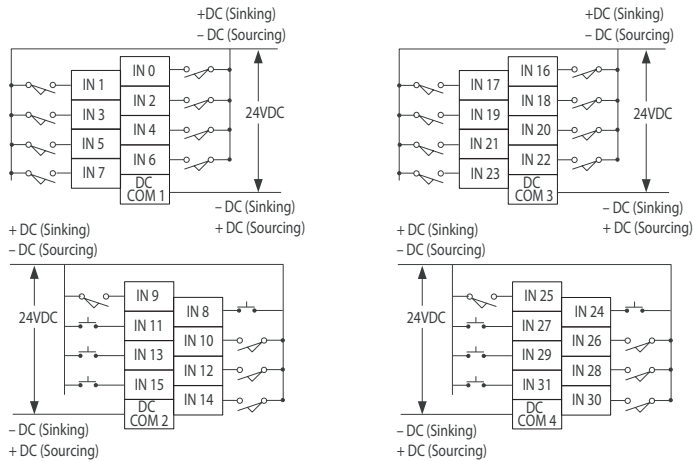


Table 39 - Technical Specifications - 1769-IQ32

Attribute	1769-IQ32
Inputs	32 (8 points/group)
Voltage category	24V DC sink/source
Operating voltage range	10...30V DC @ 30 °C (86 °F) 10...26.4V DC @ 60 °C (140 °F)
Input delay, on	8 ms
Input delay, off	8 ms
Current draw @ 5.1V	170 mA
Heat dissipation, max	4.6 W
Off-state voltage, max	5V DC
Off-state current, max	1.5 mA
On-state voltage, min	10V DC
On-state current, min	2 mA
Inrush current, max	250 mA
Input impedance, nominal	5.2 kΩ @ 24V DC 6.1 kΩ @ 30V DC
Isolation voltage	Verified by one of the following dielectric tests: 1200V AC for 1 s or 1697V DC for 1 s, input point to bus and group to group 75V DC working voltage (IEC Class 2 reinforced insulation)
Weight, approx	440 g (0.97 lb)
Dimensions (HxWxD), approx	118 x 52.5 x 87 mm (4.65 x 2.07 x 3.43 in.) Height with mounting tabs 138 mm (5.43 in.)
Slot width	1.5
Module location	DIN rail or panel mount

Table 39 - Technical Specifications - 1769-IQ32

Attribute	1769-IQ32
Power supply	1769-PA2, 1769-PB2, 1769-PA4, 1769-PB4
Power supply distance rating	8 modules
Terminal screw torque	0.68 N•m (6 lb•in)
Retaining screw torque	0.46 N•m (4.1 lb•in)
Wire size	(22...14 AWG) solid (22...16 AWG) stranded
Wire type	Cu-90 °C (194 °F)
IEC input compatibility	Type 1+
Replacement terminal block	1769-RTBN18 (1 per kit)
Replacement door label	1769-RL1 (2 per kit)
Replacement door	1769-RD (2 per kit)
Vendor ID code	1
Product type code	7
Product code	68
Enclosure type rating	None (open-style)

Table 40 - Certifications - 1769-IQ32

Certification ⁽¹⁾	1769-IQ32
c-UL	C-UL certified (under CSA C22.2 No. 142) UL 508 listed Class I, Division 2 Group A,B,C,D Hazardous Locations (UL 1604, C-UL under CSA C22.2 No. 213)
CE	CE compliant for all applicable directives
C-Tick	Australian Radiocommunications Act, compliant with: <ul style="list-style-type: none"> AS/NZS CISPR 11; Industrial Enclosure

(1) When marked. See the Product Certification link at <http://www.ab.com> for Declarations of Conformity, Certificates, and other certification details.

1769-IQ32T

Compact 24V DC sink/source, terminated input module

1769-IQ32T

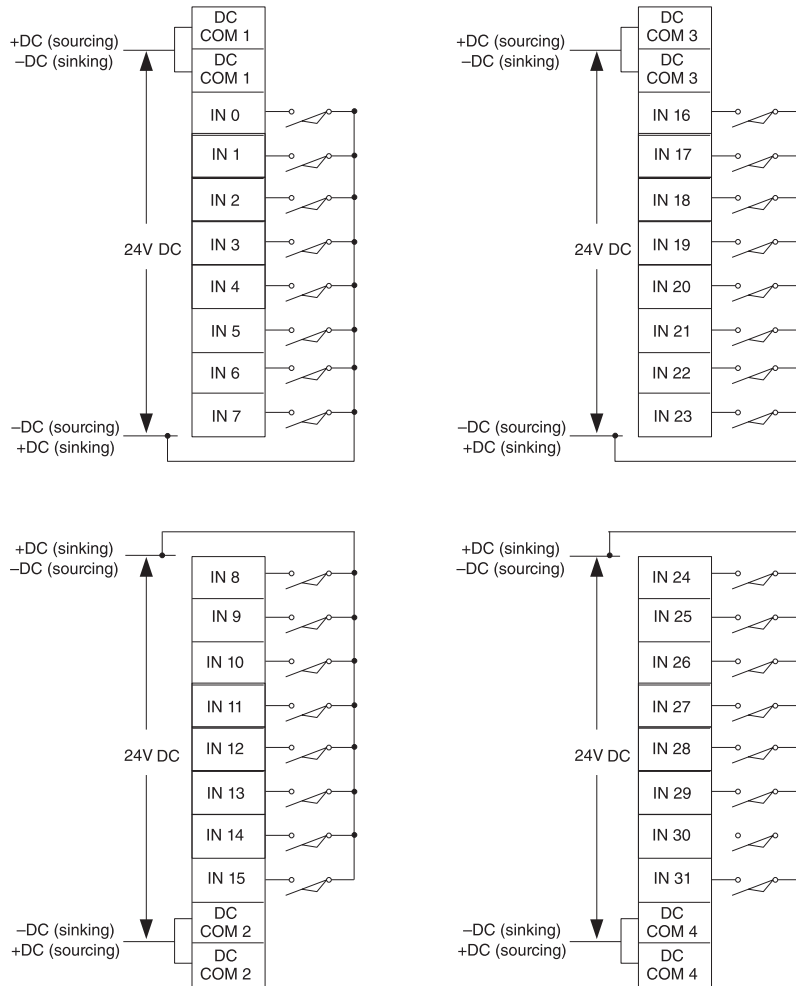


Table 41 - Technical Specifications - 1769-IQ32T

Attribute	1769-IQ32T
Inputs	32 terminated (8 points/group)
Voltage category	24V DC sink/source
Operating voltage range	20.4...26.4V DC @ 60 °C (140 °F)
Digital filter, off to on	0 s, 100 μ s, 500 μ s, 1 ms, 2 ms, 4 ms, 8 ms
Digital filter, on to off	0 s, 100 μ s, 500 μ s, 1 ms, 2 ms, 4 ms, 8 ms
Input delay, off to on	0.1 ms, typical 0.42 ms, max
Input delay, on to off	0.25 ms, typical 1.0 ms, max
Current draw @ 5.1V	170 mA
Heat dissipation, max	4.77 W

Table 41 - Technical Specifications - 1769-IQ32T

Attribute	1769-IQ32T
Off-state voltage, max	11V DC
Off-state current, max	1.7 mA
On-state voltage, min	19V DC
On-state current, min	2 mA
Inrush current, max	5 mA
Input impedance, nom	5.6 k Ω
Isolation voltage	Verified by one of the following dielectric tests: 1200V AC for 1 s or 1697V DC for 1 s, input point to bus and group to group 75V DC working voltage (IEC Class 2 reinforced insulation)
Weight, approx	280 g (0.61 lb)
Dimensions (HxWxD), approx	118 x 35 x 87 mm (4.65 x 1.38 x 3.43 in.) Height with mounting tabs 138 mm (5.43 in.)
Slot width	1
Module location	DIN rail or panel mount
Power supply	1769-PA2, 1769-PB2, 1769-PA4, 1769-PB4
Power supply distance rating	8 modules
Terminal screw torque	0.68 N•m (6 lb•in)
Retaining screw torque	0.46 N•m (4.1 lb•in)
Wire size	(22...14 AWG) solid (22...16 AWG) stranded
Wire type	Cu-90 °C (194 °F)
IEC input compatibility	Type 1+
Replacement connector	1746-N3 (1 connector, 40 terminals)
Vendor ID code	1
Product type code	7
Product code	76
Enclosure type rating	None (open-style)

Table 42 - Certifications - 1769-IQ32T

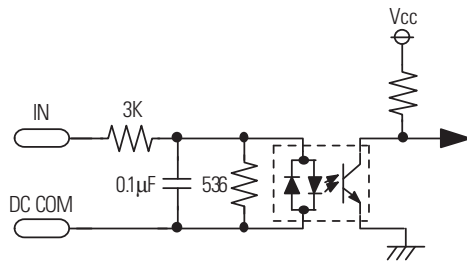
Certification ⁽¹⁾	1769-IQ32T
c-UL	C-UL certified (under CSA C22.2 No. 142) UL 508 listed Class I, Division 2 Group A,B,C,D Hazardous Locations (UL 1604, C-UL under CSA C22.2 No. 213)
CE	CE compliant for all applicable directives
C-Tick	C-Tick compliant for all applicable directives

(1) When marked. See the Product Certification link at <http://www.ab.com> for Declarations of Conformity, Certificates, and other certification details.

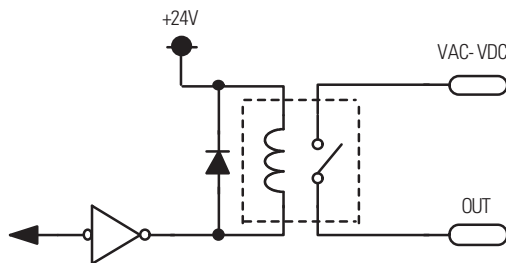
1769-IQ6X0W4

Compact combination 24V DC sink/source input and AC/DC relay output module

Simplified Input Circuit Diagram



Simplified Output Circuit Diagram



1769-IQ6X0W4

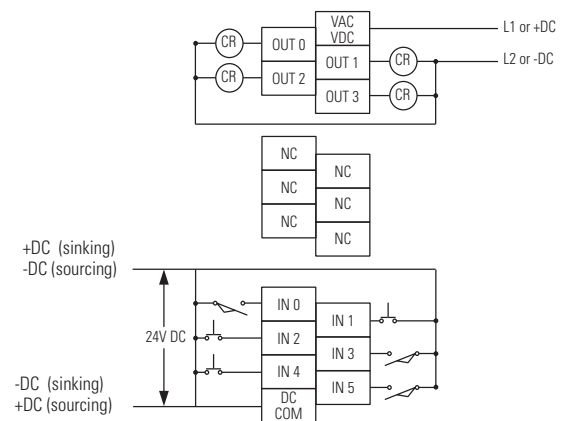


Table 43 - Technical Specifications - 1769-IQ6X0W4

Attribute	1769-IQ6X0W4
Current draw @ 5.1V	105 mA
Current draw @ 24V	50 mA
Heat dissipation, max	2.75 W
Off-state voltage, max	11V DC
Isolation voltage	Verified by one of the following dielectric tests: 1200V AC for 1 s or 1697V DC for 1 s, input group to bus, output group to bus, and input group to output group 75V DC working voltage (IEC Class 2 reinforced insulation)
Weight, approx	280 g (0.61 lb)
Dimensions (HxWxD), approx	118 x 35 x 87 mm (4.65 x 1.38 x 3.43 in.) Height with mounting tabs 138 mm (5.43 in.)
Slot width	1
Module location	DIN rail or panel mount
Power supply	1769-PA2, 1769-PB2, 1769-PA4, 1769-PB4
Power supply distance rating	8 modules
Terminal screw torque	0.68 N•m (6 lb•in)
Retaining screw torque	0.46 N•m (4.1 lb•in)
Wire size	(22...14 AWG) solid (22...16 AWG) stranded
Wire type	Cu-90 °C (194 °F)

Table 43 - Technical Specifications - 1769-IQ6X0W4

Attribute	1769-IQ6X0W4
IEC input compatibility	Type 1+
Replacement terminal block	1769-RTBN18 (1 per kit)
Replacement door label	1769-RL1 (2 per kit)
Replacement door	1769-RD (2 per kit)
Vendor ID code	1
Product type code	7
Product code	66
Enclosure type rating	None (open-style)

Table 44 - 1769-IQ6X0W4 Input Specifications

Attribute	1769-IQ6X0W4
Inputs	6
Voltage category	24V DC sink/source
Operating voltage range	10...30V DC @ 30 °C (86 °F) 10...26.4V DC @ 60 °C (140 °F)
Delay, on	8 ms
Delay, off	8 ms
Off-state voltage, max	5V DC
Off-state current, max	1.5 mA
On-state voltage, mi	10V DC
On-state current, min	2.0 mA
Inrush current, max	250 mA
Input impedance, nom	3 k Ω
IEC input compatibility	Type 3

Table 45 - 1769-IQ6X0W4 Output Specifications

Attribute	1769-IQ6X0W4
Outputs	4
Voltage category	AC/DC normally open relay contacts
Operating voltage range	5...265V AC 5...125V DC
Delay, on	10 ms
Delay, off	10 ms
Off-state leakage, max	0 mA
On-state current, min	10 mA @ 5V DC
Current per point, max	2.5 A
Current per module, max	8 A

Table 46 - Relay Contact Ratings - 1769-IQ6XOW4

Volts, max	Continuous Amps per Point, max	Amperes ⁽¹⁾		Voltamperes		NEMA ICS 2-125
		Make	Break	Make	Break	
240V AC	2.5 A	7.5 A	0.75 A	1800 VA	180 VA	C300
120V AC		15 A	1.5 A			
125V DC	1.0 A	0.22 A ⁽²⁾		28 VA		R150
24V DC	2.0 A	1.2 A ⁽²⁾		28 VA		—

(1) Connecting surge suppressors across your external inductive load will extend the life of the relay contacts.

(2) For DC voltage applications, the make/break ampere rating for relay contacts can be determined by dividing 28 VA by the applied DC voltage. For example, 28 VA/48V DC = 0.58A. For DC voltage applications less than 48V, the make/break ratings for relay contacts cannot exceed 2A.

Table 47 - Certifications - 1769-IQ6XOW4

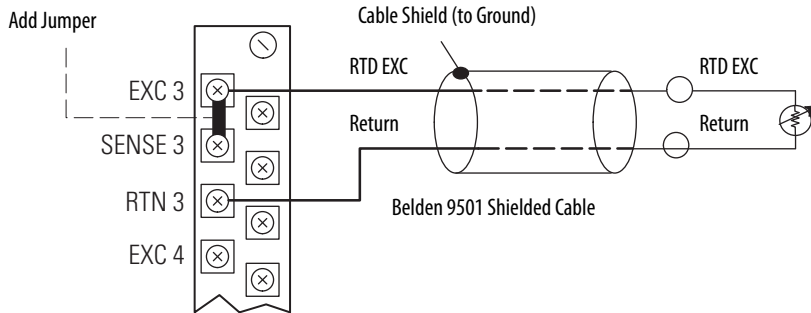
Certification ⁽¹⁾	1769-IQ6XOW4
c-UL	C-UL certified (under CSA C22.2 No. 142) UL 508 listed Class I, Division 2 Group A,B,C,D Hazardous Locations (UL 1604, C-UL under CSA C22.2 No. 213)
CE	CE compliant for all applicable directives
C-Tick	C-Tick compliant for all applicable directives

(1) When marked. See the Product Certification link at <http://www.ab.com> for Declarations of Conformity, Certificates, and other certification details.

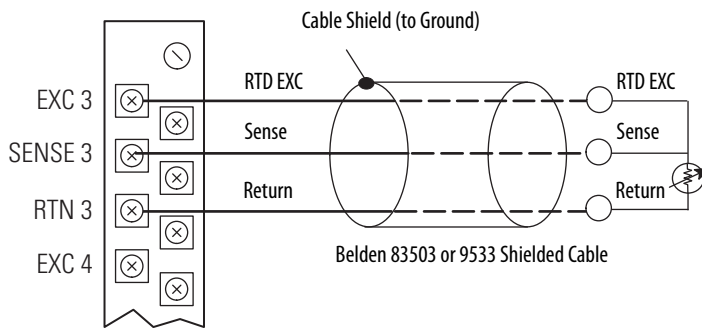
1769-IR6

Compact RTD/resistance input module

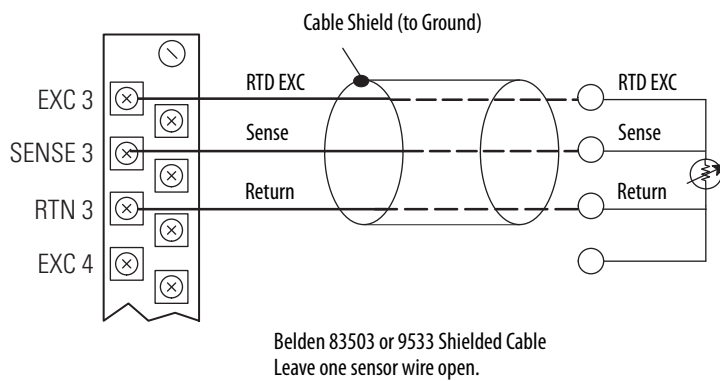
Two Wire RTD Configuration



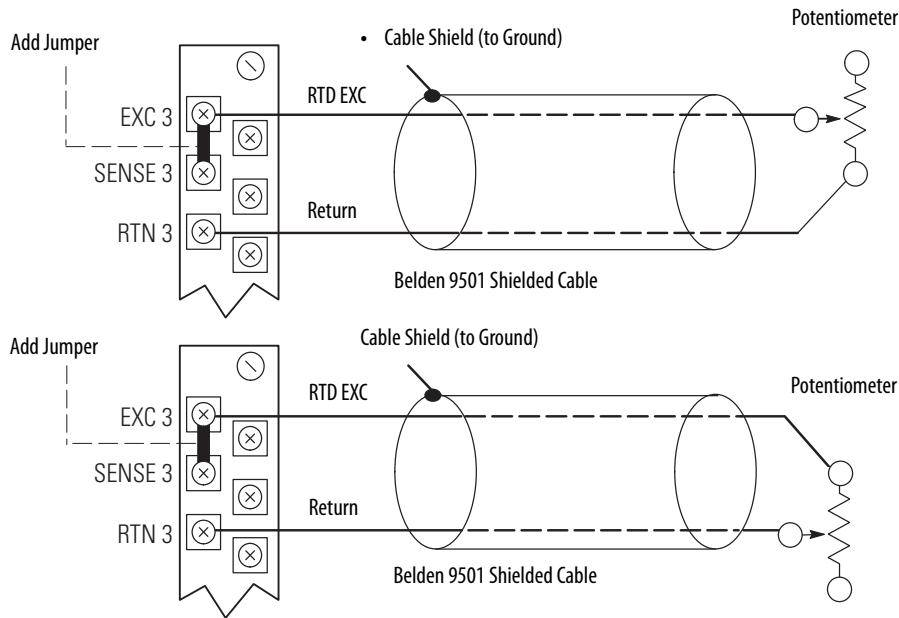
Three Wire RTD Configuration



Four Wire RTD Configuration



Two Wire Potentiometer Configuration



Three Wire Potentiometer Configuration

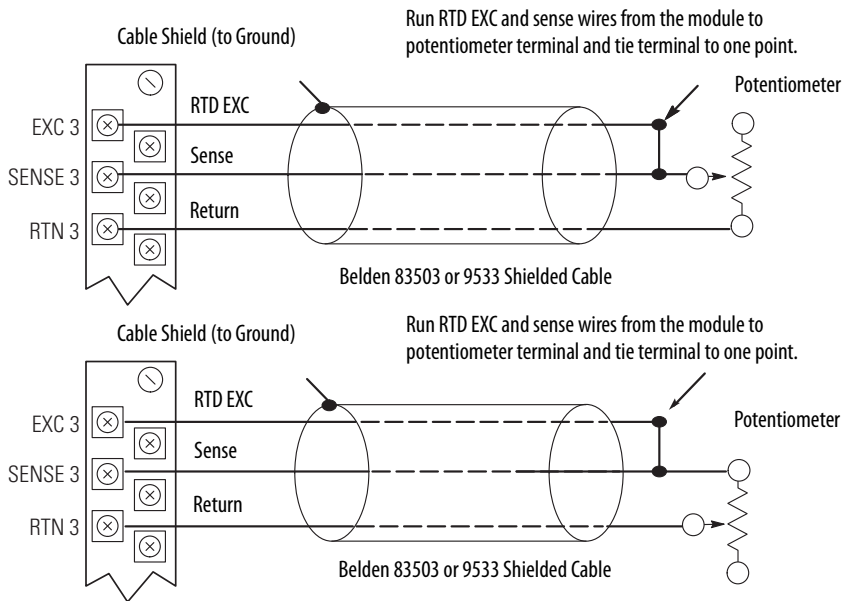


Table 48 - Data Formats for RTD Temperature Ranges for 0.5 and 1.0 mA Excitation Current

RTD Input Type	Engineering Units x1		Engineering Units x10		Scaled-for-PID	Proportional Counts
	0.1 °C	0.1 °F	1.0 °C	1.0 °F		
100 Ω Platinum 385	-2000...+8500	-3280...+15620	-200...+850	-328...+1562	0...16383	-32768...+32767
200 Ω Platinum 385	-2000...+8500	-3280...+15620	-200...+850	-328...+1562	0...16383	-32768...+32767
500 Ω Platinum 385	-2000...+8500	-3280...+15620	-200...+850	-328...+1562	0...16383	-32768...+32767
1000 Ω Platinum 385	-2000...+8500	-3280...+15620	-200...+850	-328...+1562	0...16383	-32768...+32767
100 Ω Platinum 3916	-2000...+6300	-3280...+11660	-200...+630	-328...+1166	0...16383	-32768...+32767
200 Ω Platinum 3916	-2000...+6300	-3280...+11660	-200...+630	328...+1166	0...16383	-32768...+32767
500 Ω Platinum 3916	-2000...+6300	-3280...+11660	-200...+630	328...+1166	0...16383	-32768...+32767
1000 Ω Platinum 3916	-2000...+6300	-3280...+11660	-200...+630	328...+1166	0...16383	-32768...+32767
10 Ω Copper 426	-1000...+2600	-1480...+5000	+100...+260	-148...+500	0...16383	-32768...+32767
120 Ω Nickel 618	-1000...+2600	-1480...+5000	-100...+260	-148...+500	0...16383	-32768...+32767
120 Ω Nickel 672	-800...+2600	-1120...+5000	-80...+260	-112...+500	0...16383	-32768...+32767
604 Ω Nickel Iron 518	-1000...+2600	-3280...+1560	-100...+200	-328...+156	0...16383	-32768...+32767

Table 49 - Temperature Range - 1769-IR6

RTD Type ⁽¹⁾		Temperature Range Using 0.5 mA Excitation	Temperature Range Using 1.0 mA Excitation
Platinum 385	100 Ω	-200...850 °C (-328...1562 °F)	-200...850 °C (-328...1562 °F)
	200 Ω	-200...850 °C (-328...1562 °F)	-200...850 °C (-328...1562 °F)
	500 Ω	-200...850 °C (-328...1562 °F)	-200...850 °C (-328...1562 °F)
	1000 Ω	-200...850 °C (-328...1562 °F)	N/A
Platinum 3916	100 Ω	-200C...630 °C (-328...1166 °F)	-200...630 °C (-328...1166 °F)
	200 Ω	-200C...630 °C (-328...1166 °F)	-200...630 °C (-328...1166 °F)
	500 Ω	-200C...630 °C (-328...1166 °F)	-200...630 °C (-328...1166 °F)
	1000 Ω	-200C...630 °C (-328...1166 °F)	N/A
Copper 426	10 Ω	N/A	-100 to 260 °C (-148...500 °F)
Nickel 618 ⁽²⁾	120 Ω	-100...260 °C (-148...500 °F)	-100...260 °C (-148...500 °F)
Nickel 672	120 Ω	-80...260 °C (-112...500 °F)	-80...260 °C (-112...500 °F)
Nickel-Iron 518	604 Ω	-200...180 °C (-328...338 °F)	-100...+200 °C (-148...392 °F)

(1) Digits following the RTD type represent the temperature coefficient of resistance (α), which is defined as the resistance change per Ω per °C. For instance, platinum 385 refers to a platinum RTD with $\alpha = 0.00385 \text{ } \Omega/\Omega \cdot ^\circ\text{C}$, or simply $0.00385/^\circ\text{C}$.

(2) Actual value at 0°C is 100 Ω per DIN standard.

Table 50 - Resistance Device Compatibility - 1769-IR6

Resistance Device Type	Resistance Range (0.5 mA Excitation)	Resistance Range (1.0 mA Excitation)
150 Ω	0...150 Ω	0...150 Ω
500 Ω	0...500 Ω	0...500 Ω
1000 Ω	0...1000 Ω	0...1000 Ω
3000 Ω	0...3000 Ω	N/A

Table 51 - Technical Specifications - 1769-IR6

Attribute	1769-IR6
Inputs	6 RTD inputs
Input range	0...150 Ω 0...500 Ω 0...1000 Ω 0...3000 Ω
Resolution	Input filter and configuration dependent
Sensors supported	100, 200, 500, 1000 Ω Platinum 385 100, 200, 500, 1000 Ω Platinum 3916 120 Ω Nickel 672 120 Ω Nickel 618 10 Ω Nickel-iron 518
Current draw @ 5.1V	100 mA
Current draw @ 24V	45 mA
Heat dissipation, max	1.5 W
Converter type	Sigma Delta
Common mode voltage range	$\pm 10V$ DC max
Common mode rejection	110 dB @ 50 Hz with the 10 or 50 Hz filter selected 110 dB @ 60 Hz with the 10 or 60 Hz filter selected
Normal mode rejection ratio	70 dB @ 50 Hz with the 10 or 50 Hz filter selected 70 dB @ 60 Hz with the 10 or 60 Hz filter selected
Cable impedance, max	25 Ω
Input impedance	> 10 M Ω
Accuracy @ 25 °C (77 °F) ⁽¹⁾ (50/60 Hz filter)	± 0.5 °C (0.9 °F) for Pt 385 ± 0.4 °C (0.72 °F) for Pt 3916 ± 0.3 °C (0.54 °F) for Ni ± 0.3 °C (0.54 °F) for NiFe ± 0.8 °C (1.44 °F) for Cu ± 0.15 Ω for 150 Ω range ± 0.5 Ω for 500 Ω range ± 1.0 Ω for 1000 Ω range ± 1.5 Ω for 3000 Ω range
Accuracy @ 0...60 °C (32...140 °F) ⁽¹⁾ (50/60 Hz filter)	± 0.9 °C (1.62 °F) for Pt 385 ± 0.8 °C (1.44 °F) for Pt 3916 ± 0.5 °C (0.9 °F) for Ni ± 0.5 °C (0.9 °F) for NiFe ± 1.1 °C (1.98 °F) for Cu ± 0.25 Ω for 150 Ω range ± 0.8 Ω for 500 Ω range ± 1.5 Ω for 1000 Ω range ± 2.5 Ω for 3000 Ω range
Accuracy drift @ 0...60 °C (32...140 °F) ⁽¹⁾	± 0.026 °C/°C (0.026 °F/°F) for Pt 385 ± 0.023 °C/°C (0.023 °F/°F) for Pt 3916 ± 0.012 °C/°C (0.012 °F/°F) for Ni ± 0.015 °C/°C (0.015 °F/°F) for NiFe ± 0.032 °C/°C (0.032 °F/°F) for Cu ± 0.007 Ω /°C (± 0.013 Ω /°F) for 150 Ω ± 0.023 Ω /°C (± 0.041 Ω /°F) for 500 Ω ± 0.043 Ω /°C (± 0.077 Ω /°F) for 1000 Ω ± 0.072 Ω /°C (± 0.130 Ω /°F) for 3000 Ω
Nonlinearity	$\pm 0.05\%$

Table 51 - Technical Specifications - 1769-IR6

Attribute	1769-IR6
Repeatability ⁽²⁾ (50/60 Hz filter)	±0.01 °C (0.018 °F) for Ni and NiFe ±0.2 °C (0.36 °F) for other RTD inputs ±0.04 W for 150 W resistances ±0.2 W for other resistances
Open circuit detection time ⁽³⁾	6 ms...303s
Isolation voltage	720V DC for 1 minute, optical and magnetic (qualification), channel to bus 30V AC/30V DC working voltage (IEC Class 2 reinforced insulation)
Weight, approx	276 g (0.61 lb)
Dimensions (HxWxD), approx	118 x 35 x 87 mm (4.65 x 1.38 x 3.43 in.) Height with mounting tabs 138 mm (5.43 in.)
Slot width	1
Module location	DIN rail or panel mount
Power supply	1769-PA2, 1769-PB2, 1769-PA4, 1769-PB4
Power supply distance rating	8 modules
Terminal screw torque	0.68 N•m (6 lb•in)
Retaining screw torque	0.46 N•m (4.1 lb•in)
Recommended cable	2-wire configuration: Belden 9501 or equivalent 3-wire configuration: Belden 9533 or equivalent 4-wire configuration: Belden 83503 or equivalent
Wire size	(22...14 AWG) solid (22...16 AWG) stranded
Wire type	Cu-90 °C (194 °F)
IEC input compatibility	Type 1+
Replacement terminal block	1769-RTBN18 (1 per kit)
Replacement door label	1769-RL2 series B (2 per kit)
Replacement door	1769-RD (2 per kit)
Vendor ID code	1
Product type code	10
Product code	37
Enclosure type rating	None (open-style)

(1) Accuracy is dependent upon the Analog/Digital converter output rate selection, excitation current selection, data format, and input noise.

(2) Repeatability is the ability of the input module to register the same reading in successive measurements for the same input signal.

(3) Open-circuit detection time is equal to channel update time.

Table 52 - RTD Accuracy and Temperature Drift - 1769-IR6

RTD Type		Scaled Accuracy Max 25 °C (77 °F) with Calibration	Scaled Accuracy Max 0...60 °C (32...140 °F) with Calibration	Temperature Drift Max from 25 °C (77 °F) without Calibration
Copper 426	10 Ω	±0.6 °C (1.08 °F)	±1.1 °C (1.98 °F)	±0.032 °C/°C (0.032 °F/°F)
Nickel 618	120 Ω	±0.2 °C (±0.36 °F)	±0.4 °C (±0.72 °F)	±0.012 °C/°C (±0.012 °F/°F)
Nickel 672	120 Ω	±0.2 °C (±0.36 °F)	±0.4 °C (±0.72 °F)	±0.012 °C/°C (±0.012 °F/°F)
Nickel-Iron 518	604 Ω	±0.3 °C (±0.54 °F)	±0.5 °C (±0.9 °F)	±0.015 °C/°C (±0.015 °F/°F)
Platinum 385	100 Ω	±0.5 °C (±0.9 °F)	±0.9 °C (±1.62 °F)	±0.026 °C/°C (±0.026 °F/°F)
	200 Ω	±0.5 °C (±0.9 °F)	±0.9 °C (±1.62 °F)	±0.026 °C/°C (±0.026 °F/°F)
	500 Ω	±0.5 °C (±0.9 °F)	±0.9 °C (±1.62 °F)	±0.026 °C/°C (±0.026 °F/°F)
	1000 Ω	±0.5 °C (±0.9 °F)	±0.9 °C (±1.62 °F)	±0.026 °C/°C (±0.026 °F/°F)
Platinum 3916	100 Ω	±0.4 °C (±0.72 °F)	±0.8 °C (±1.44 °F)	±0.023 °C/°C (±0.023 °F/°F)
	200 Ω	±0.4 °C (±0.72 °F)	±0.8 °C (±1.44 °F)	±0.023 °C/°C (±0.023 °F/°F)
	500 Ω	±0.4 °C (±0.72 °F)	±0.8 °C (±1.44 °F)	±0.023 °C/°C (±0.023 °F/°F)
	1000 Ω	±0.4 °C (±0.72 °F)	±0.8 °C (±1.44 °F)	±0.023 °C/°C (±0.023 °F/°F)

Table 53 - RTD Standards - 1769-IR6

RTD Type	$\alpha^{(3)}$	IEC-751 1983, Amend. 2 1995	DIN 43760 1987	SAMA ⁽⁴⁾ Standard RC21-4-1966	Japanese Industrial Standard JIS C1604-1989	Japanese Industrial Standard JIS C1604-1997	Minco ⁽⁵⁾
100 Ω Pt	0.00385	X	X			X	
200 Ω Pt	0.00385	X	X			X	
500 Ω Pt	0.00385	X	X			X	
1000 Ω Pt	0.00385	X	X			X	
100 Ω Pt	0.03916				X		
200 Ω Pt	0.03916				X		
500 Ω Pt	0.03916				X		
1000 Ω Pt	0.03916				X		
10 Ω Cu ⁽¹⁾	0.00426			X			
120 Ω Ni ⁽²⁾	0.00618		X				
120 Ω Ni	0.00372						X
604 Ω NiFe	0.00518						X

(1) Actual value at 0 °C (32 °F) is 9.04 2Ω per SAMA standard RC21-4-1966.

(2) Actual value at 0 °C (32 °F) is 100 Ω per SAMA standard RC21-4-1966.

(3) α is the temperature coefficient of resistance which is defined as the resistance change per ohm per °C.

(4) Scientific Apparatus Makers Association

(5) Minco Type "NA" (Nickel) and Minco Type "FA" (Nickel-Iron)

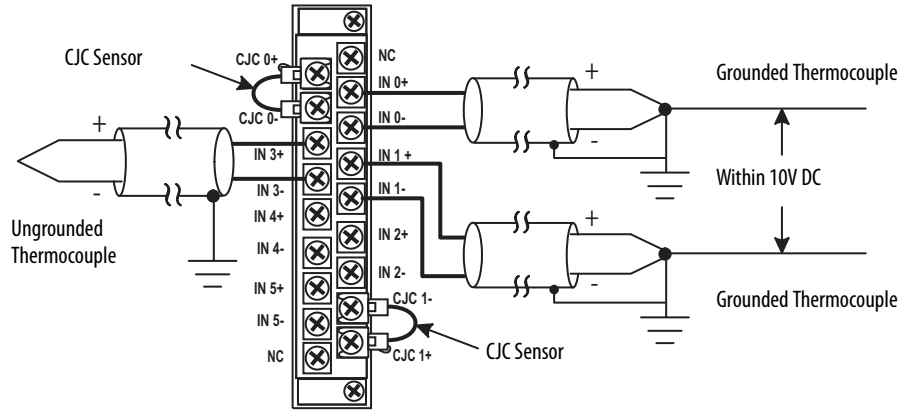
Table 54 - Certifications - 1769-IR6

Certification⁽¹⁾	1769-IR6
c-UL	C-UL certified (under CSA C22.2 No. 142) UL 508 listed Class I, Division 2 Group A,B,C,D Hazardous Locations (UL 1604, C-UL under CSA C22.2 No. 213)
CE	CE compliant for all applicable directives
C-Tick	Australian Radiocommunications Act, compliant with: <ul style="list-style-type: none">• AS/NZS CISPR 11; Industrial Enclosure

(1) When marked. See the Product Certification link at <http://www.ab.com> for Declarations of Conformity, Certificates, and other certification details.

1769-IT6

Compact Thermocouple/mV input module



Thermocouple Type	°C Temperature Range	°F Temperature Range
J	-210...+1200 °C	-346...+2192 °F
K	-270...+1370 °C	-454...+2498 °F
T	-270...+400 °C	-454...+752 °F
E	-270...+1000 °C	-454...+1832 °F
R	0...+1768 °C	+32...+3214 °F
S	0...+1768 °C	+32...+3214 °F
B	+300...+1820 °C	+572...+3308 °F
N	-210...+1300 °C	-346...+2372 °F
C	0...+2315 °C	+32...+ 4199 °F

Millivolt Input Type	Range
± 50 mV	-50...+50 mV
± 100 mV	-100...+100 mV

Input Type	Engineering Units x1		Engineering Units x10		Scaled-for-PID	Raw/Proportional Data	Percent Range
	0.1 °C	0.1 °F	1.0 °C	1.0 °F			
J	-2100...+12000	-3460...+21920	-210...+1200	-346...+2192	0...+16383	-32767...+32767	0...+10000
K	-2700...+13700	-4540...+24980	-270...+1370	-454...+2498	0...+16383	-32767...+32767	0...+10000
T	-2700...+4000	-4540...+7520	-270...+400	-454...+752	0...+16383	-32767...+32767	0...+10000
E	-2700...+10000	-4540...+18320	-270...+1000	-454...+1832	0...+16383	-32767...+32767	0...+10000
R	0...+17680	+320...32140	0...+1768	+32...3214	0...+16383	-32767...+32767	0...+10000
S	0...+17680	+320...32140	0...+1768	+32...3214	0...+16383	-32767...+32767	0...+10000
B	+3000...18200	+5720...32767 ⁽¹⁾	+300...1820	+572...3308	0...+16383	-32767...+32767	0...+10000
N	-2100...+13000	-3460...+23720	-210...+1300	-346...+2372	0...+16383	-32767...+32767	0...+10000
C	0...+23150	+320...32767 ⁽¹⁾	0...+2315	+32...4199	0...+16383	-32767...+32767	0...+10000
±50 mV	-5000...+5000 ⁽²⁾		-500...+500 ⁽²⁾		0...+16383	-32767...+32767	0...+10000
±100 mV	-10000...10000 ⁽²⁾		-1000...1000 ⁽²⁾		0...+16383	-32767...+32767	0...+10000

(1) Type B and C thermocouples cannot be represented in engineering units x1 (°F) above 3276.7 °F; therefore, it will be treated as an over-range error.

(2) When millivolts are selected, the temperature setting is ignored. Analog input data is the same for °C or °F selection.

IMPORTANT To reduce the effects of electrical noise, install the 1769-IT6 module at least two slots away from the AC power supplies.

Table 55 - Technical Specifications - 1769-IT6

Attribute	1769-IT6
Inputs	6 RTD inputs 2 CJC sensors
Input range	0...150 Ω 0...500 Ω 0...1000 Ω 0...3000 Ω
Resolution	Input filter and configuration dependent
Thermocouples	B, E, J, K, R, S, T, N, C
Bus current draw	5V DC, 140 mA 24V DC, 30 mA
Heat dissipation, max	1.5 W
Converter type	Sigma Delta
Response speed per channel	3...300 ms, depending on input filter and configuration
Rated working voltage ⁽¹⁾	30V AC/30V DC
Common mode voltage range ⁽²⁾	± 10 V DC max
Common mode rejection	115 dB @ 50 Hz with 10 Hz or 50 Hz filter 115 dB @ 60 Hz with 10 Hz or 60 Hz filter
Normal mode rejection ratio	85 dB @ 50 Hz with the 10 or 50 Hz filter selected 85 dB @ 60 Hz with the 10 or 60 Hz filter selected
Cable impedance, max	25 Ω
Input impedance	> 10 M Ω
CJC assembly accuracy	± 1.0 °C (± 1.8 °F)
Nonlinearity (in percent full scale)	$\pm 0.03\%$
Open-circuit detection time	7 ms...2.1 s ⁽³⁾
Overload at input terminals, max	± 35 V DC continuous ⁽⁴⁾
Isolation voltage	720V DC for 1 min (qualification test) 30V AC/30V DC working voltage, group to bus
Weight, approx	276 g (0.61 lb)
Dimensions (HxWxD), approx	118 x 35 x 87 mm (4.65 x 1.38 x 3.43 in.) Height with mounting tabs 138 mm (5.43 in.)
Slot width	1
Module location	DIN rail or panel mount
Power supply	1769-PA2, 1769-PB2, 1769-PA4, 1769-PB4
Power supply distance rating	8 modules
Terminal screw torque	0.68 N•m (6 lb•in)
Retaining screw torque	0.46 N•m (4.1 lb•in)
Recommended cable	2-wire configuration: Belden 9501 or equivalent 3-wire configuration: Belden 9533 or equivalent 4-wire configuration: Belden 83503 or equivalent
Wire size	(22...14 AWG) solid (22...16 AWG) stranded

Table 55 - Technical Specifications - 1769-IT6

Attribute	1769-IT6
Wire type	Cu-90 °C (194 °F)
IEC input compatibility	Type 1+
Replacement terminal block	1769-RTBN18 (1 per kit)
Replacement door label	1769-RL2 series B (2 per kit)
Replacement door	1769-RD (2 per kit)
Vendor ID code	1
Product type code	10
Product code	36
Enclosure type rating	None (open-style)

- (1) Rated working voltage is the maximum continuous voltage that can be applied at the input terminal, including the input signal and the value that floats above ground potential (for example, 30V DC input signal and 20V DC potential above ground).
- (2) For proper operation, both the plus and minus input terminals must be within $\pm 10V$ DC of analog common.
- (3) Open-circuit detection time is equal to the module scan time, which is based on the number of enabled channels, and the filter frequency of each channel.
- (4) Maximum current input is limited due to input impedance.

Table 56 - Repeatability at 25 °C (77 °F) - 1769-IT6

Input Type	Repeatability for 10 Hz Filter ⁽¹⁾⁽²⁾
Thermocouple J	± 0.1 °C [± 0.18 °F]
Thermocouple N (-110...+1300 °C [-166...+2372 °F])	± 0.1 °C [± 0.18 °F]
Thermocouple N (-210...-110 °C [-346...-166 °F])	± 0.25 °C [± 0.45 °F]
Thermocouple T (-170...+400 °C [-274...+752 °F])	± 0.1 °C [± 0.18 °F]
Thermocouple T (-270...-170 °C [-454...-274 °F])	± 1.5 °C [± 2.7 °F]
Thermocouple K (-270...+1370 °C [-454...+2498 °F])	± 0.1 °C [± 0.18 °F]
Thermocouple (-270...-170 °C [-454...-274 °F])	± 2.0 °C [± 3.6 °F]
Thermocouple E (-220...+1000 °C [-364...+1832 °F])	± 0.1 °C [± 0.18 °F]
Thermocouple E (-270...-220 °C [-454...-364 °F])	± 1.0 °C [± 1.8 °F]
Thermocouples S and R	± 0.4 °C [± 0.72 °F]
Thermocouple C	± 0.7 °C [± 1.26 °F]
Thermocouple B	± 0.2 °C [± 0.36 °F]
± 50 mV	± 6 μV
± 100 mV	± 6 μV

- (1) Repeatability is the ability of the input module to register the same reading in successive measurements for the same input signal.
- (2) Repeatability at any other temperature in the 0 to 60°C (32 to 140°F) range is the same as long as the temperature is stable.

Table 57 - Accuracy - 1769-IT6

Input Type ⁽¹⁾	With Autocalibration Enabled		Without Autocalibration
	Accuracy ⁽²⁾⁽³⁾ for 10, 50 and 60 Hz Filters (max)		Temperature Drift (max) ⁽²⁾⁽⁴⁾
	@ 25 °C (77 °F) Ambient	@ 0...60 °C (32...140 °F) Ambient	@ 0...60 °C (32...140 °F) Ambient
Thermocouple J (-210...1200 °C [-346...2192 °F])	±0.6 °C [± 1.1 °F]	±0.9 °C [± 1.7 °F]	±0.0218 °C/°C [±0.0218 °F/°F]
Thermocouple N (-200...+1300 °C [-328...2372 °F])	±1 °C [± 1.8 °F]	±1.5 °C [±2.7 °F]	±0.0367 °C/°C [±0.0367 °F/°F]
Thermocouple N (-210...-200 °C [-346...-328 °F])	±1.2 °C [±2.2 °F]	±1.8 °C [±3.3 °F]	±0.0424 °C/°C [±0.0424 °F/°F]
Thermocouple T (-230...+400 °C [-382...+752 °F])	±1°C [± 1.8°F]	±1.5 °C [±2.7 °F]	±0.0349 °C/°C [±0.0349 °F/°F]
Thermocouple T (-270...-230 °C [-454...-382 °F])	±5.4 °C [± 9.8 °F]	±7.0 °C [±12.6 °F]	±0.3500 °C/°C [±0.3500 °F/°F]
Thermocouple K (-230...+1370 °C [-382...+2498 °F])	±1 °C [± 1.8 °F]	±1.5 °C [±2.7 °F]	±0.4995 °C/°C [±0.4995 °F/°F]
Thermocouple K (-270...-225 °C [-454...-373 °F])	±7.5 °C [± 13.5 °F]	±10 °C [± 18 °F]	±0.0378 °C/°C [±0.0378 °F/°F]
Thermocouple E (-210...+1000 °C [-346...+1832 °F])	±0.5 °C [± 0.9 °F]	±0.8 °C [±1.5 °F]	±0.0199 °C/°C [±0.0199 °F/°F]
Thermocouple E (-270...-210 °C [-454...-346 °F])	±4.2 °C [± 7.6 °F]	±6.3 °C [±11.4 °F]	±0.2698 °C/°C [±0.2698 °F/°F]
Thermocouple R	±1.7 °C [± 3.1 °F]	±2.6 °C [± 4.7 °F]	±0.0613 °C/°C [±0.0613 °F/°F]
Thermocouple S	±1.7 °C [± 3.1 °F]	±2.6 °C [± 4.7 °F]	±0.0600 °C/°C [±0.0600 °F/°F]
Thermocouple C	±1.8 °C [±3.3 F]	±3.5 °C [±6.3 °F]	±0.0899 °C/°C [±0.0899 °F/°F]
Thermocouple B	±3.0 °C [±5.4 °F]	±4.5 °C [±8.1 °F]	±0.1009 °C/°C [±0.1009 °F/°F]
±50 mV	±15 µV	±25 µV	±0.44 µV/°C [±0.80 µV/°F]
±100 mV	±20 µV	±30 µV	±0.69 µV/°C [±0.125 µV/°F]

- (1) The module uses the National Institute of Standards and Technology (NIST) ITS-90 standard for thermocouple linearization.
- (2) Accuracy and temperature drift information does not include the affects of errors or drift in the cold junction compensation circuit.
- (3) Accuracy is dependent upon the analog/digital converter output rate selection, data format, and input noise.
- (4) Temperature drift with autocalibration is slightly better than without autocalibration.

Table 58 - Certifications - 1769-IT6

Certification ⁽¹⁾	1769-IT6
c-UL	C-UL certified (under CSA C22.2 No. 142) UL 508 listed Class I, Division 2 Group A,B,C,D Hazardous Locations (UL 1604, C-UL under CSA C22.2 No. 213)
CE	CE compliant for all applicable directives
C-Tick	Australian Radiocommunications Act, compliant with: <ul style="list-style-type: none"> AS/NZS CISPR 11; Industrial Enclosure

- (1) When marked. See the Product Certification link at <http://www.ab.com> for Declarations of Conformity, Certificates, and other certification details.

1769-0A8

Compact 100/240V AC solid state output module

Simplified Output Circuit Diagram

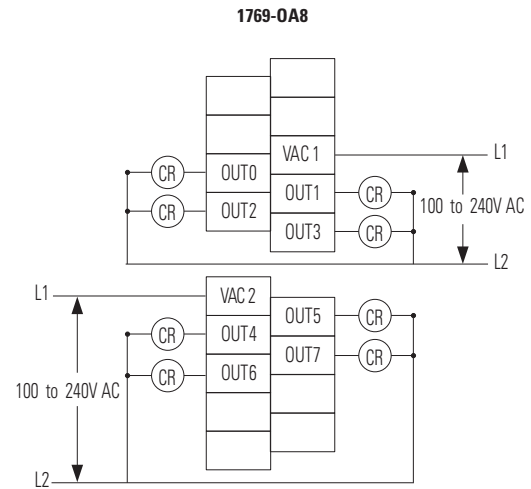
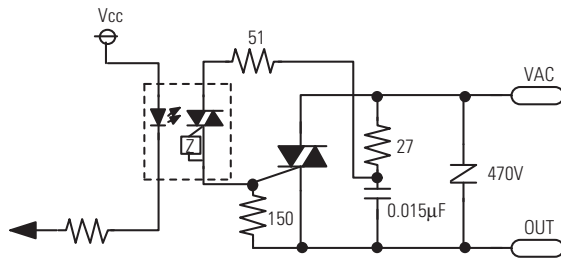


Table 59 - Technical Specifications - 1769-0A8

Attribute	1769-0A8
Outputs	8 (4 points/group)
Voltage category	100/240V AC
Operating voltage range	85...265V AC 47...63 Hz
Output delay, on ⁽¹⁾	1/2 cycle
Output delay, off ⁽¹⁾	1/2 cycle
Current draw @ 5.1V	145 mA
Heat dissipation, max	2.12 W
Off-state leakage current, max ⁽²⁾	2.0 mA @ 132V AC 2.5 mA @ 265V AC
On-state current, max	10 mA
On-state voltage drop, max	1.5V peak @ 2 A
Current per point, max	0.25 A @ 60 °C 0.5 A @ 30 °C
Current per module, max	2 A @ 60 °C 4 A @ 30 °C
Surge current ⁽³⁾	10 A for 25 ms, repeatable every 2 s
Isolation voltage	Verified by one of the following dielectric tests: 1836V AC for 1 s or 2596V DC for 1 s, group to group 265V AC working voltage (basic insulation) 150V AC working voltage (IEC Class 2 reinforced insulation)
Weight, approx	280 g (0.61 lb)
Dimensions (HxWxD), approx	118 x 35 x 87 mm (4.65 x 1.38 x 3.43 in.) Height with mounting tabs 138 mm (5.43 in.)
Slot width	1

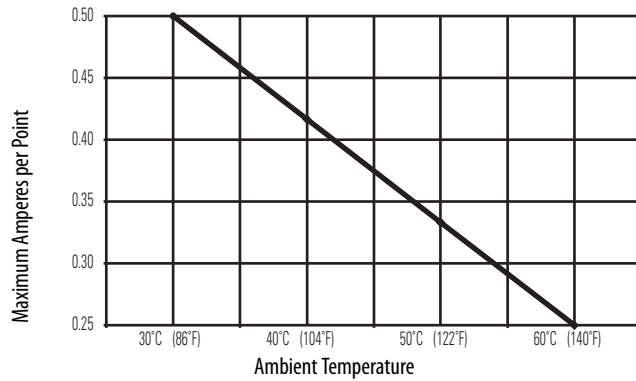
Table 59 - Technical Specifications - 1769-OA8

Attribute	1769-OA8
Module location	DIN rail or panel mount
Power supply	1769-PA2, 1769-PB2, 1769-PA4, 1769-PB4
Power supply distance rating	8 modules
Terminal screw torque	0.68 N•m (6 lb•in)
Retaining screw torque	0.46 N•m (4.1 lb•in)
Wire size	(22...14 AWG) solid (22...16 AWG) stranded
Wire type	Cu-90 °C (194 °F)
Replacement terminal block	1769-RTBN10 (1 per kit)
Replacement door label	1769-RL1 (2 per kit)
Replacement door	1769-RD (2 per kit)
Vendor ID code	1
Product type code	7
Product code	84
Enclosure type rating	None (open style)

- (1) Triac outputs turn on and off at AC line zero cross.
- (2) To limit the effects of leakage current through solid state outputs, a loading resistor can be connected in parallel with your load. For 120V AC operation, use a 15 k Ω , 2W resistor. For 240V AC operation use a 5 k Ω , 5W resistor.
- (3) Connecting surge suppressors across your external load will extend the life of the triac outputs.

Temperature Derating - 1769-0A8

1769-0A8 Maximum Amperes per Point versus Temperature



1769-0A8 Maximum Amperes per Module versus Temperature

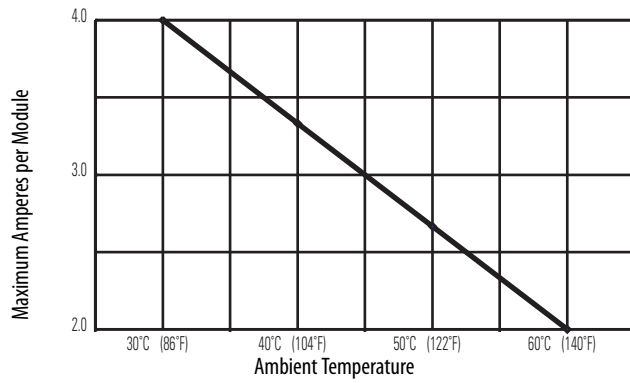


Table 60 - Certifications - 1769-0A8

Certification ⁽¹⁾	1769-0A8
c-UL	C-UL certified (under CSA C22.2 No. 142) UL 508 listed Class I, Division 2 Group A,B,C,D Hazardous Locations (UL 1604, C-UL under CSA C22.2 No. 213)
CE	CE compliant for all applicable directives
C-Tick	C-Tick compliant for all applicable directives Australian Radiocommunications Act, compliant with: <ul style="list-style-type: none"> AS/NZS CISPR 11; Industrial Enclosure

(1) When marked. See the Product Certification link at <http://www.ab.com> for Declarations of Conformity, Certificates, and other certification details.

1769-0A16

Compact 120/240V AC solid state output module

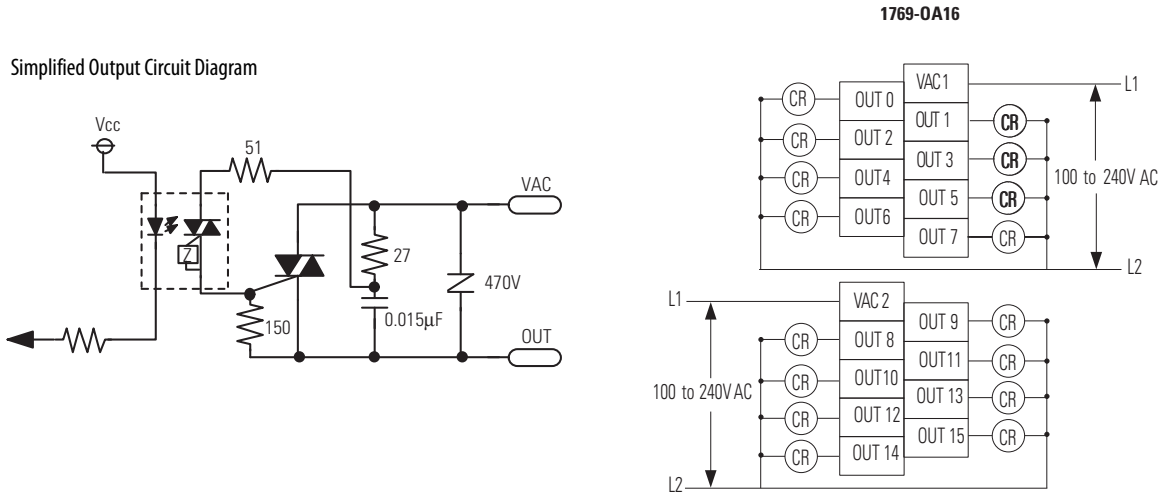


Table 61 - Technical Specifications - 1769-0A16

Attribute	1769-0A16
Outputs	16 (8 points/group)
Voltage category	100/240V AC
Operating voltage range	85...265V AC 47...63 Hz
Output delay, on ⁽¹⁾	1/2 cycle
Output delay, off ⁽¹⁾	1/2 cycle
Current draw @ 5.1V	225 mA
Heat dissipation, max	4.9 W
Off-state leakage current, max ⁽²⁾	2.0 mA @ 132V AC 2.5 mA @ 265V AC
On-state current, max	10 mA
On-state voltage drop, max	1.5V peak @ 2 A
Current per point, max	0.25 A @ 60 °C 0.5 A @ 30 °C
Current per module, max	2 A @ 60 °C 4 A @ 30 °C
Surge current ⁽³⁾	5 A for 25 ms, repeatable every 2 s
Isolation voltage	Verified by one of the following dielectric tests: 1836V AC for 1 s or 2596V DC for 1 s, output point to bus 265V AC working voltage (IEC Class 2 reinforced insulation) Verified by one of the following dielectric tests: 1836V AC for 1 s or 2596V DC for 1 s, output point to bus 265V AC working voltage (basic insulation) 150V AC working voltage (IEC Class 2 reinforced insulation)
Weight, approx	280 g (0.61 lb)

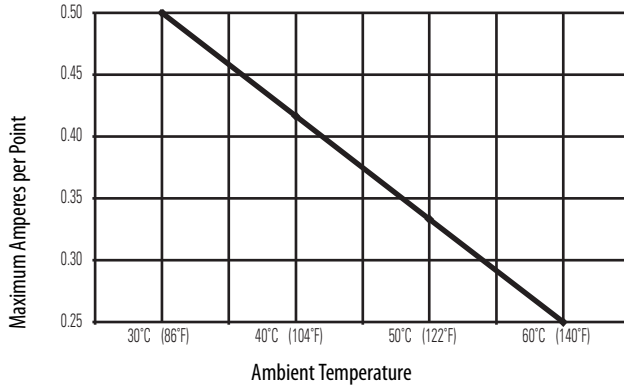
Table 61 - Technical Specifications - 1769-0A16

Attribute	1769-0A16
Dimensions (HxWxD), approx	118 x 35 x 87 mm (4.65 x 1.38 x 3.43 in.) Height with mounting tabs 138 mm (5.43 in.)
Slot width	1
Module location	DIN rail or panel mount
Power supply	1769-PA2, 1769-PB2, 1769-PA4, 1769-PB4
Power supply distance rating	8 modules
Terminal screw torque	0.68 N•m (6 lb•in)
Retaining screw torque	0.46 N•m (4.1 lb•in)
Wire size	(22... 14 AWG) solid (22... 16 AWG) stranded
Wire type	Cu-90 °C (194 °F)
Replacement terminal block	1769-RTBN18 (1 per kit)
Replacement door label	1769-RL1 (2 per kit)
Replacement door	1769-RD (2 per kit)
Vendor ID code	1
Product type code	7
Product code	93
Enclosure type rating	None (open style)

- (1) Triac outputs turn on and off at AC line zero cross.
- (2) To limit the effects of leakage current through solid state outputs, a loading resistor can be connected in parallel with your load. For 120V AC operation, use a 15 k Ω , 2W resistor. For 240V AC operation use a 5 k Ω , 5W resistor.
- (3) Connecting surge suppressors across your external load will extend the life of the triac outputs.

Temperature Derating - 1769-0A16

1769-0A16 Maximum Amperes per Point versus Temperature



1769-0A16 Maximum Amperes per Module versus Temperature

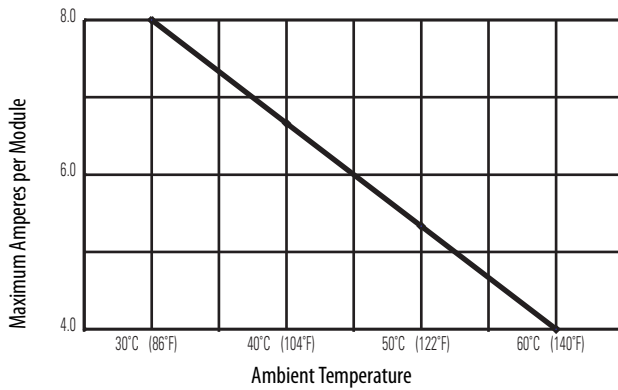


Table 62 - Certifications - 1769-0A16

Certification ⁽¹⁾	1769-0A16
c-UL	C-UL certified (under CSA C22.2 No. 142) UL 508 listed Class I, Division 2 Group A,B,C,D Hazardous Locations (UL 1604, C-UL under CSA C22.2 No. 213)
CE	CE compliant for all applicable directives
C-Tick	C-Tick compliant for all applicable directives Australian Radiocommunications Act, compliant with: <ul style="list-style-type: none"> AS/NZS CISPR 11; Industrial Enclosure

(1) When marked. See the Product Certification link at <http://www.ab.com> for Declarations of Conformity, Certificates, and other certification details.

1769-0B8

Compact solid state 24V DC source, high-current output module

Simplified Output Circuit Diagram

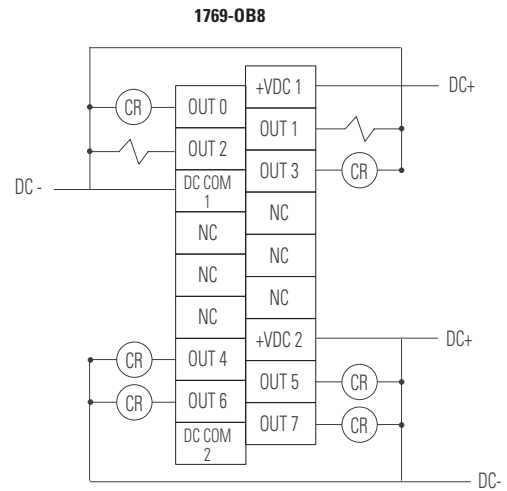
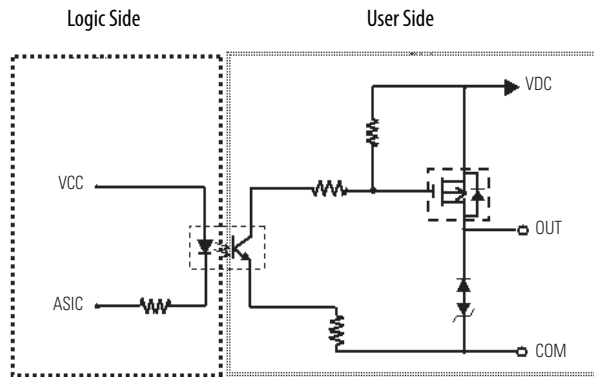


Table 63 - Technical Specifications - 1769-0B8

Attribute	1769-0B8
Outputs	8 (4 points/group)
Voltage category	24V DC source
Operating voltage range	20.4...26.4V DC
Output delay, on	0.1 ms
Output delay, off	1.0 ms @ 60 °C max load 2 A, min V in 20.4V 1.5 ms @ 60 °C max load 1mA, min V in 20.4V
Current draw @ 5.1V	145 mA
Heat dissipation, max	2.20 W
Off-state leakage current, max ⁽¹⁾	1.0 mA @ 26.4V DC
On-state current, min	1.0 mA
On-state voltage drop, max	1.0V DC @ 2 A
Current per point, max	2.0 A @ 60 °C (140 °F)
Current per module, max	8.0 A @ 60 °C (140 °F)
Surge current ⁽²⁾	4 A for 10 ms, repeatable every 2 s
Isolation voltage	Verified by one of the following dielectric tests: 1200V AC for 1 s or 1697V DC for 1 s, output point to bus, and group to group 75V DC working voltage (IEC Class 2 reinforced insulation)
Weight, approx	280 g (0.61 lb)
Dimensions (HxWxD), approx	118 x 35 x 87 mm (4.65 x 1.38 x 3.43 in.) Height with mounting tabs 138 mm (5.43 in.)
Slot width	1
Module location	DIN rail or panel mount
Power supply	1769-PA2, 1769-PB2, 1769-PA4, 1769-PB4
Power supply distance rating	8 modules

Table 63 - Technical Specifications - 1769-OB8

Attribute	1769-OB8
Terminal screw torque	0.68 N•m (6 lb•in)
Retaining screw torque	0.46 N•m (4.1 lb•in)
Wire size	(22...14 AWG) solid (22...16 AWG) stranded
Wire type	Cu-90 °C (194 °F)
Replacement terminal block	1769-RTBN18 (1 per kit)
Replacement door label	1769-RL1 (2 per kit)
Replacement door	1769-RD (2 per kit)
Vendor ID code	1
Product type code	7
Product code	70
Enclosure type rating	None (open style)

(1) To limit the effects of leakage current through solid state outputs, a loading resistor can be connected in parallel with your load. Use a 5.6 k Ω , 1/2 W resistor for transistor outputs, 24V DC operation.

(2) Use a 1N4004 diode reverse-wired across the load for transistor outputs switching 24V DC inductive loads.

Table 64 - Certifications - 1769-OB8

Certification ⁽¹⁾	1769-OB8
c-UL	C-UL certified (under CSA C22.2 No. 142) UL 508 listed Class I, Division 2 Group A,B,C,D Hazardous Locations (UL 1604, C-UL under CSA C22.2 No. 213)
CE	CE compliant for all applicable directives
C-Tick	C-Tick compliant for all applicable directives Australian Radiocommunications Act, compliant with: – AS/NZS CISPR 11; Industrial Enclosure

(1) When marked. See the Product Certification link at <http://www.ab.com> for Declarations of Conformity, Certificates, and other certification details.

1769-OB16

Compact solid state 24V DC source output module

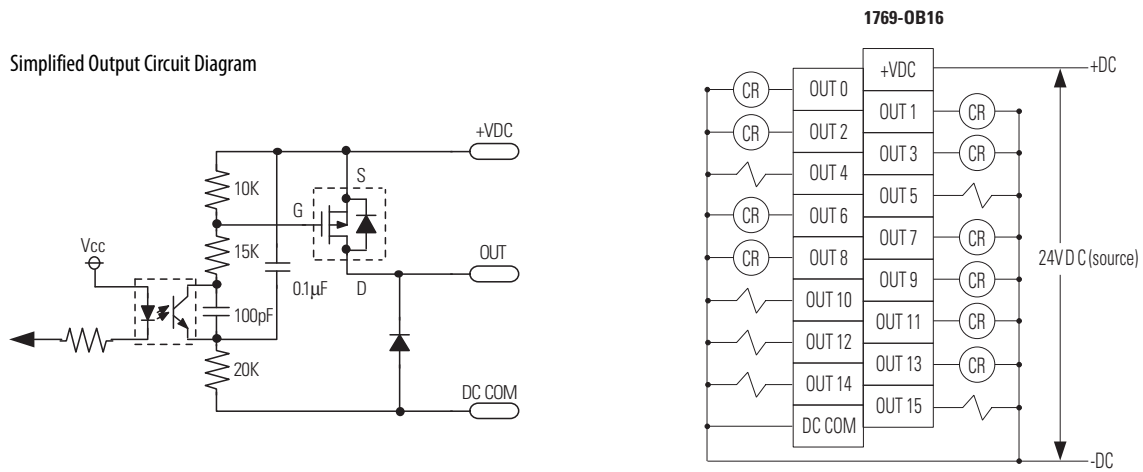


Table 65 - Technical Specifications - 1769-OB16

Attribute	1769-OB16
Outputs	16 (16 points/group)
Voltage category	24V DC source
Operating voltage range	20.4...26.4V DC
Output delay, on	0.1 ms
Output delay, off	1.0 ms
Current draw @ 5.1V	200 mA
Heat dissipation, max	2.11 W
Off-state leakage current, max ⁽¹⁾	1.0 mA @ 26.4V DC
On-state current, min	1.0 mA
On-state voltage drop, max	1.0V DC @ 1 A
Current per point, max	0.5 A @ 60 °C (140 °F) 1.0 A @ 30 °C (86 °F)
Current per module, max	4.0 A @ 60 °C (140 °F) 8.0 A @ 30 °C (86 °F)
Surge current ⁽²⁾	2.0 A for 10 ms, repeatable every 2 s
Isolation voltage	Verified by one of the following dielectric tests: 1200V AC for 1 s or 1697V DC for 1 s, output point to bus 75V DC working voltage (IEC Class 2 reinforced insulation)
Weight, approx	280 g (0.61 lb)
Dimensions (HxWxD), approx	118 x 35 x 87 mm (4.65 x 1.38 x 3.43 in.) Height with mounting tabs 138 mm (5.43 in.)
Slot width	1
Module location	DIN rail or panel mount
Power supply	1769-PA2, 1769-PB2, 1769-PA4, 1769-PB4
Power supply distance rating	8 modules

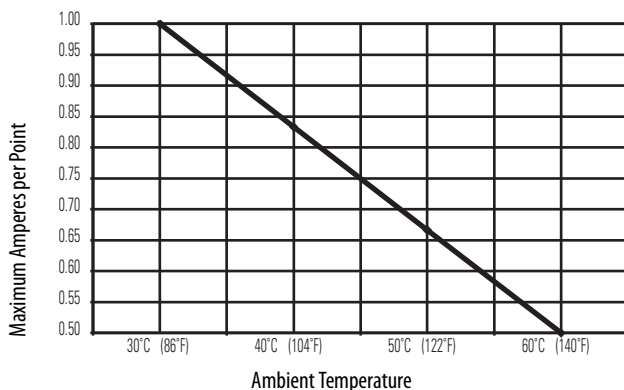
Table 65 - Technical Specifications - 1769-OB16

Attribute	1769-OB16
Terminal screw torque	0.68 N•m (6 lb•in)
Retaining screw torque	0.46 N•m (4.1 lb•in)
Wire size	(22...14 AWG) solid (22...16 AWG) stranded
Wire type	Cu-90 °C (194 °F)
Replacement terminal block	1769-RTBN18 (1 per kit)
Replacement door label	1769-RL1 (2 per kit)
Replacement door	1769-RD (2 per kit)
Vendor ID code	1
Product type code	7
Product code	71
Enclosure type rating	None (open style)

- (1) To limit the effects of leakage current through solid state outputs, a loading resistor can be connected in parallel with your load. Use a 5.6 kΩ, 1/2 W resistor for transistor outputs, 24V DC operation.
- (2) Use a 1N4004 diode reverse-wired across the load for transistor outputs switching 24V DC inductive loads.

Temperature Derating - 1769-OB16

1769-OB16 Maximum Amperes per Point versus Temperature



1769-OB16 Maximum Amperes per Module versus Temperature

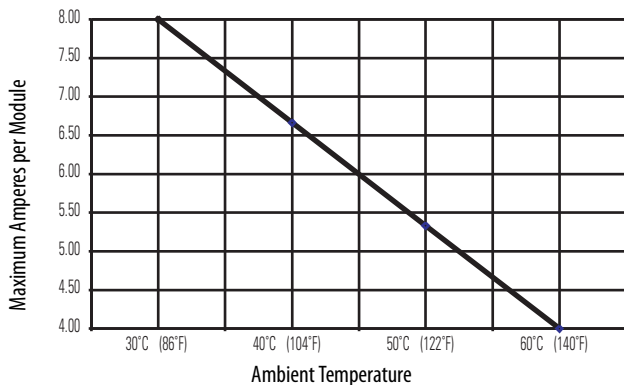


Table 66 - Certifications - 1769-OB16

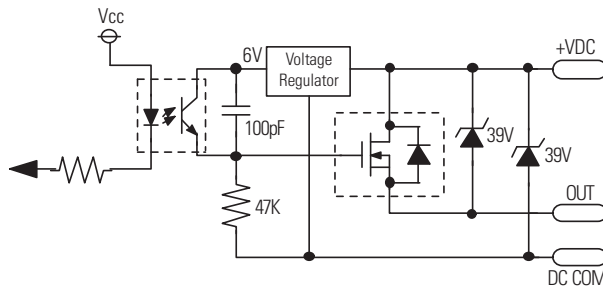
Certification⁽¹⁾	1769-OB16
c-UL	C-UL certified (under CSA C22.2 No. 142) UL 508 listed Class I, Division 2 Group A,B,C,D Hazardous Locations (UL 1604, C-UL under CSA C22.2 No. 213)
CE	CE compliant for all applicable directives
C-Tick	C-Tick compliant for all applicable directives Australian Radiocommunications Act, compliant with: <ul style="list-style-type: none"> • AS/NZS CISPR 11; Industrial Enclosure

(1) When marked. See the Product Certification link at <http://www.ab.com> for Declarations of Conformity, Certificates, and other certification details.

1769-OB16P

Compact solid state 24V DC source, protected output module

Simplified Output Circuit Diagram



Protection circuit is not shown.

1769-OB16P

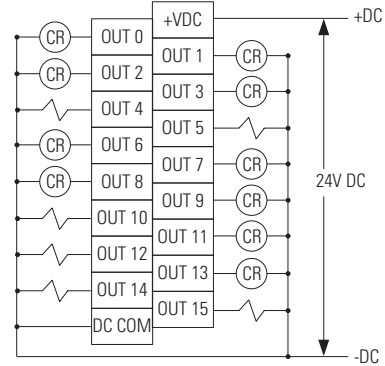


Table 67 - Technical Specifications - 1769-OB16P

Attribute	1769-OB16P
Outputs	16 (16 points/group)
Voltage category	24V DC source
Operating voltage range	20.4...26.4V DC
Output delay, on	1.0 ms
Output delay, off	2.0 ms
Current draw @ 5.1V	160 mA
Heat dissipation, max	2.69 W
Off-state leakage current, max ⁽¹⁾	1.0 mA @ 26.4V DC
On-state current, min	1.0 mA
On-state voltage drop, max	0.5V DC
Current per point, max	0.5 A @ 60 °C (140 °F) 1.0 A @ 30 °C (86 °F)
Current per module, max	4.0 A @ 60 °C (140 °F) 8.0 A @ 30 °C (86 °F)
Surge current ⁽²⁾	2.0 A for 10 ms, repeatable every 1 s
Isolation voltage	Verified by one of the following dielectric tests: 1200V AC for 1 s or 1697V DC for 1 s, output point to bus 75V DC working voltage (IEC Class 2 reinforced insulation)
Weight, approx	255 g (0.56 lb)
Dimensions (HxWxD), approx	118 x 35 x 87 mm (4.65 x 1.38 x 3.43 in.) Height with mounting tabs 138 mm (5.43 in.)
Slot width	1
Module location	DIN rail or panel mount
Power supply	1769-PA2, 1769-PB2, 1769-PA4, 1769-PB4
Power supply distance rating	8 modules

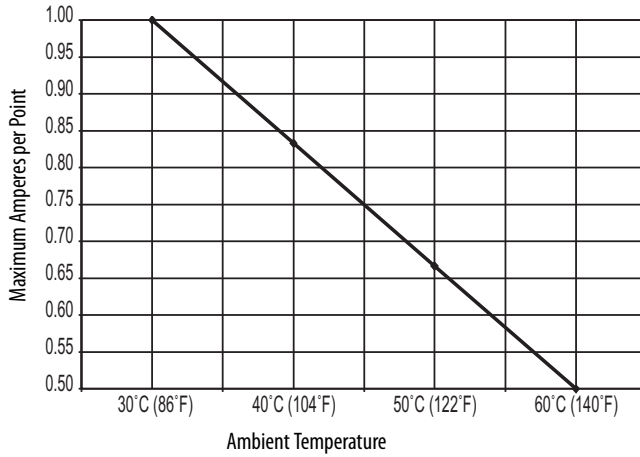
Table 67 - Technical Specifications - 1769-OB16P

Attribute	1769-OB16P
Terminal screw torque	0.68 N•m (6 lb•in)
Retaining screw torque	0.46 N•m (4.1 lb•in)
Wire size	(22...14 AWG) solid (22...16 AWG) stranded
Wire type	Cu-90 °C (194 °F)
Replacement terminal block	1769-RTBN18 (1 per kit)
Replacement door label	1769-RL1 (2 per kit)
Replacement door	1769-RD (2 per kit)
Vendor ID code	1
Product type code	7
Product code	91
Enclosure type rating	None (open style)

- (1) To limit the effects of leakage current through solid state outputs, a loading resistor can be connected in parallel with your load. Use a 5.6 k Ω , 1/2 W resistor for transistor outputs, 24V DC operation.
- (2) Use a 1N4004 diode reverse-wired across the load for transistor outputs switching 24V DC inductive loads.

Temperature Derating - 1769-OB16P

1769-OB16P Maximum Amperes per Point versus Temperature



1769-OB16P Maximum Amperes per Module versus Temperature

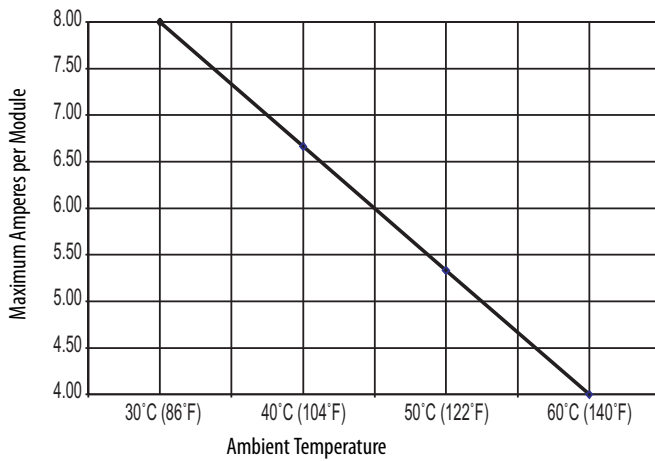


Table 68 - Certifications - 1769-OB16P

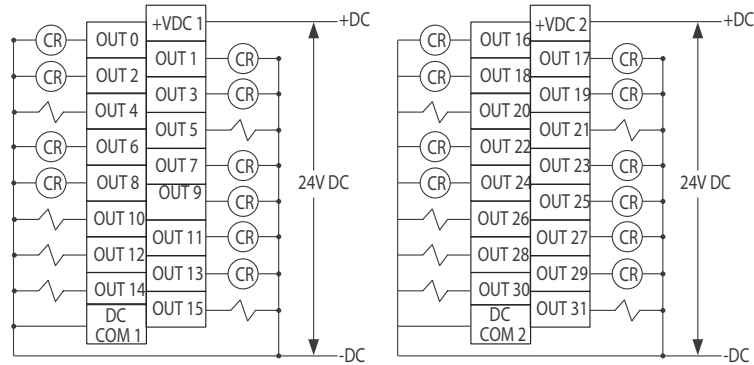
Certification ⁽¹⁾	1769-OB16P
c-UL	C-UL certified (under CSA C22.2 No. 142) UL 508 listed Class I, Division 2 Group A,B,C,D Hazardous Locations (UL 1604, C-UL under CSA C22.2 No. 213)
CE	CE compliant for all applicable directives
C-Tick	C-Tick compliant for all applicable directives Australian Radiocommunications Act, compliant with: <ul style="list-style-type: none"> AS/NZS CISPR 11; Industrial Enclosure

(1) When marked. See the Product Certification link at <http://www.ab.com> for Declarations of Conformity, Certificates, and other certification details.

1769-0B32

Compact solid state 24V DC source output module

1769-0B32



Simplified Output Circuit Diagram

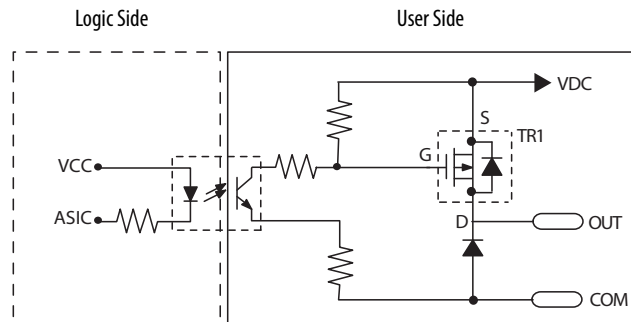


Table 69 - Technical Specifications - 1769-0B32

Attribute	1769-0B32
Outputs	32 (16 points/group)
Voltage category	24V DC source
Operating voltage range	20.4...26.4V DC
Output delay, on	0.1 ms
Output delay, off	1.0 ms
Current draw @ 5.1V	300 mA
Heat dissipation, max	4.5 W
Off-state leakage current, max ⁽¹⁾	1.0 mA @ 26.4V DC
On-state current, min	1.0 mA
On-state voltage drop, max	1.0V DC @ 1 A
Current per point, max	0.5 A @ 60 °C (140 °F) 1.0 A @ 30 °C (86 °F)
Current per module, max	4.0 A @ 60 °C (140 °F) 8.0 A @ 30 °C (86 °F)
Surge current ⁽²⁾	2.0 A for 10 ms, repeatable every 2 s

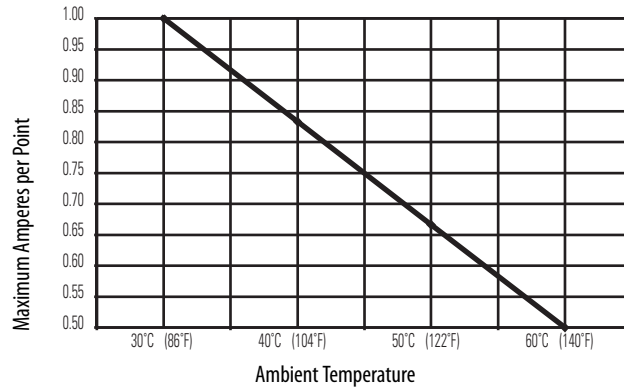
Table 69 - Technical Specifications - 1769-OB32

Attribute	1769-OB32
Isolation voltage	Verified by one of the following dielectric tests: 1200V AC for 1 s or 1697V DC for 1 s, output point to bus 75V DC working voltage (IEC Class 2 reinforced insulation)
Weight, approx	450 g (0.992 lb)
Dimensions (HxWxD), approx	118 x 52.5 x 87 mm (4.65 x 2.07 x 3.43 in.) Height with mounting tabs 138 mm (5.43 in.)
Slot width	1.5
Module location	DIN rail or panel mount
Power supply	1769-PA2, 1769-PB2, 1769-PA4, 1769-PB4
Power supply distance rating	6 modules
Terminal screw torque	0.68 N•m (6 lb•in)
Retaining screw torque	0.46 N•m (4.1 lb•in)
Wire size	(22...14 AWG) solid (22...16 AWG) stranded
Wire type	Cu-90 °C (194 °F)
Replacement terminal block	1769-RTBN18 (1 per kit)
Replacement door label	1769-RL1 (2 per kit)
Replacement door	1769-RD (2 per kit)
Vendor ID code	1
Product type code	7
Product code	73
Enclosure type rating	None (open style)

- (1) To limit the effects of leakage current through solid state outputs, a loading resistor can be connected in parallel with your load. Use a 5.6 k Ω , 1/2 W resistor for transistor outputs, 24V DC operation.
- (2) Use a 1N4004 diode reverse-wired across the load for transistor outputs switching 24V DC inductive loads.

Temperature Derating - 1769-OB32

1769-OB32 Maximum Amperes per Point versus Temperature



1769-OB32 Maximum Amperes per Module versus Temperature

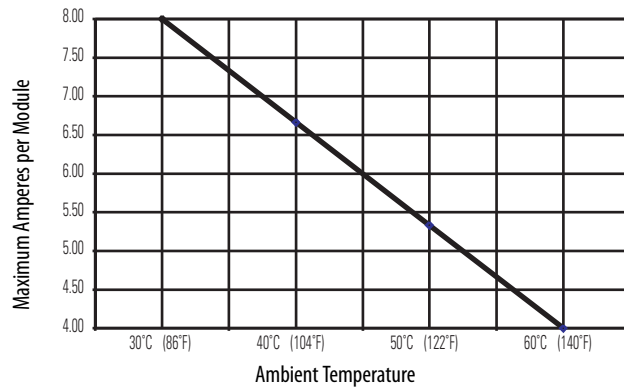


Table 70 - Certifications - 1769-OB32

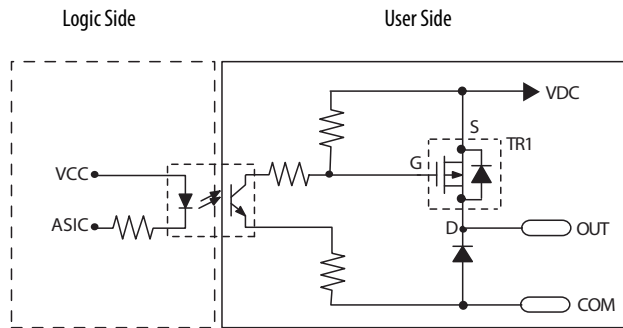
Certification ⁽¹⁾	1769-OB32
c-UL	C-UL certified (under CSA C22.2 No. 142) UL 508 listed Class I, Division 2 Group A,B,C,D Hazardous Locations (UL 1604, C-UL under CSA C22.2 No. 213)
CE	CE compliant for all applicable directives
C-Tick	C-Tick compliant for all applicable directives Australian Radiocommunications Act, compliant with: <ul style="list-style-type: none"> AS/NZS CISPR 11; Industrial Enclosure

(1) When marked. See the Product Certification link at <http://www.ab.com> for Declarations of Conformity, Certificates, and other certification details.

1769-OB32T

Compact solid state 24V DC source, terminated output module

Simplified Output Circuit Diagram



1769-OB32T

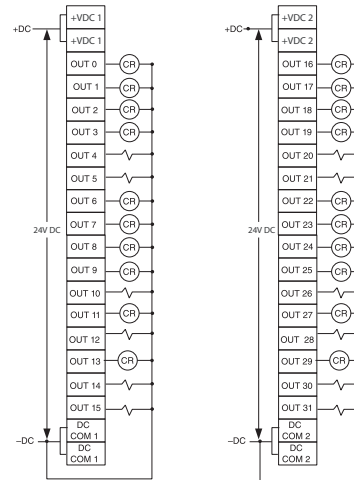


Table 71 - Technical Specifications - 1769-OB32T

Attribute	1769-OB32T
Outputs	32 terminated (16 points/group)
Voltage category	24V DC source
Operating voltage range	10.2...26.4V DC
Output delay, on	0.5 ms
Output delay, off	4.0 ms
Current draw @ 5.1V	220 mA
Heat dissipation, max	4.76 W
Off-state leakage current, max ⁽¹⁾	0.1 mA @ 26.4V DC
On-state current, min	1.0 mA
On-state voltage drop, max	0.3V DC @ 0.5 A
Current per point, max	0.5 A
Current per module, max	4.0 A
Surge current ⁽²⁾	2.0 A for 10 ms, repeatable every 2 s
Isolation voltage	Verified by one of the following dielectric tests: 1200V AC for 2 s or 1697V DC for 2 s, output point to bus 75V DC working voltage (IEC Class 2 reinforced insulation)
Weight, approx	230 g (0.51 lb)
Dimensions (HxWxD), approx	118 x 35 x 87 mm (4.65 x 1.38 x 3.43 in.) Height with mounting tabs 138 mm (5.43 in.)
Slot width	1
Module location	DIN rail or panel mount
Power supply	1769-PA2, 1769-PB2, 1769-PA4, 1769-PB4
Power supply distance rating	8 modules

Table 71 - Technical Specifications - 1769-OB32T

Attribute	1769-OB32T
Terminal screw torque	0.68 N•m (6 lb•in)
Retaining screw torque	0.46 N•m (4.1 lb•in)
Wire size	(22...14 AWG) solid (22...16 AWG) stranded
Wire type	Cu-90 °C (194 °F)
Replacement connector	1746-N3 (1 connector, 40 terminals)
Vendor ID code	1
Product type code	7
Product code	79
Enclosure type rating	None (open style)

(1) To limit the effects of leakage current through solid state outputs, a loading resistor can be connected in parallel with your load. Use a 5.6 kΩ, 1/2 W resistor for transistor outputs, 24V DC operation.

(2) Use a 1N4004 diode reverse-wired across the load for transistor outputs switching 24V DC inductive loads.

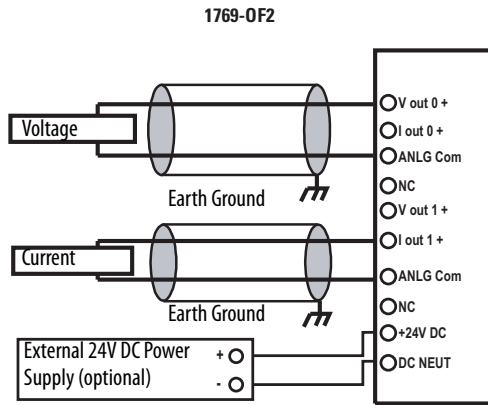
Table 72 - Certifications - 1769-OB32T

Certification ⁽¹⁾	1769-OB32T
c-UL	C-UL certified (under CSA C22.2 No. 142) UL 508 listed Class I, Division 2 Group A,B,C,D Hazardous Locations (UL 1604, C-UL under CSA C22.2 No. 213)
CE	CE compliant for all applicable directives
C-Tick	C-Tick compliant for all applicable directives Australian Radiocommunications Act, compliant with: <ul style="list-style-type: none"> • AS/NZS CISPR 11; Industrial Enclosure

(1) When marked. See the Product Certification link at <http://www.ab.com> for Declarations of Conformity, Certificates, and other certification details.

1769-0F2

Compact voltage/current output analog module



The external power supply must be rated Class 2, with a 24V DC range of 20.4...26.4V DC and 60 mA minimum. Series B and later modules support this option.

Table 73 - Technical Specifications - 1769-0F2

Attribute	1769-0F2
Outputs	2 single-ended
Output range	±10V 0...10V 0...5V 1...5V 0...20 mA 4...20 mA
Full scale range ⁽¹⁾	±10.5V -0.5...10.5V -0.5...5.25V 0.5...5.25V 0...21 mA 3.2...21 mA
Resolution	14 bits (unipolar) 14 bits plus sign (bipolar) ±10V DC: sign + 14 bits, 0.64 mV 0...10V DC: sign + 13 bits, 0.64 mV 0...5V DC: sign + 14 bits, 0.64 mV 1...5V DC: sign + 14 bits, 1.28 µA 0...20 mA: sign + 13 bits, 0.64 mV 4...20 mA: sign + 14 bits, 1.28 µA
Current draw @ 5.1V	120 mA
Current draw @ 24V	120 mA
Converter type	Delta Sigma
Heat dissipation, max	2.63 W
Conversion rate (all channels), max	2.5 ms
Step response to 63% ⁽²⁾	2.9 ms
Current load on voltage output, max	10 mA
Resistive load on current output	0...500 Ω (includes wire resistance)

Table 73 - Technical Specifications - 1769-OF2

Attribute	1769-OF2
Load range on voltage output	> 1 k Ω @ 10V DC
Inductive load (current outputs), max	0.1 mH
Capacitive load (voltage outputs), max	1 μ F
Field calibration	None required
Accuracy ⁽³⁾	Voltage: \pm 0.5% full scale @ 25 °C (77 °F) Current: \pm 0.35% full scale @ 25 °C (77 °F)
Accuracy drift with temperature	Voltage: \pm 0.0086% per °C Current: \pm 0.0058% per °C
Output ripple ⁽⁴⁾	\pm 0.05% @ 0 . . . 50 kHz
Nonlinearity	\pm 0.05%
Repeatability ⁽⁵⁾	\pm 0.05%
Module error	Voltage: \pm 0.8% Current: \pm 0.55%
Offset error	\pm 0.05%
Output impedance	15 Ω
Open and short-circuit protection	Yes
Short-circuit protection, max	21 mA
Output overvoltage protection	Yes
Time to detect open wire condition (current mode)	10 ms, typical 13.5 ms, max
Output response at system powerup and power down	\pm 5V DC spike for < 5 ms
Rated working voltage ⁽⁶⁾	30V AC/30V DC
Isolation voltage	500V AC or 710V DC for 1 min (qualification test), output group to bus 30V AC/30V DC working voltage (IEC Class 2 reinforced insulation)
Weight, approx	300 g (0.65 lb)
Dimensions (HxWxD), approx	118 x 35 x 87 mm (4.65 x 1.38 x 3.43 in.) Height with mounting tabs 138 mm (5.43 in.)
Slot width	1
Module location	DIN rail or panel mount
Power supply	1769-PA2, 1769-PB2, 1769-PA4, 1769-PB4
Optional 24V DC Class 2 power supply voltage range ⁽⁷⁾	20.4 . . . 26.4V DC
Power supply distance rating	8 modules
Terminal screw torque	0.68 N•m (6 lb•in)
Retaining screw torque	0.46 N•m (4.1 lb•in)
Wire size	(22 . . . 14 AWG) solid (22 . . . 16 AWG) stranded
Wire type	Cu-90 °C (194 °F)
Replacement terminal block	1769-RTBN18 (1 per kit)
Replacement door label	1769-RL2 (2 per kit)
Replacement door	1769-RD (2 per kit)
Vendor ID code	1

Table 73 - Technical Specifications - 1769-OF2

Attribute	1769-OF2
Product type code	10
Product code	32
Enclosure type rating	None (open style)

- (1) The over- or under-range flag will come on when the normal operating range (over/under) is exceeded. The module will continue to convert the analog input up to the maximum full scale range. The flag automatically resets when within the normal operating range.
- (2) Step response is the period of time between when the D/A converter was instructed to go from minimum to full range until the device is at 63% of full range.
- (3) Includes offset, gain, nonlinearity, and repeatability error terms.
- (4) Output ripple is the amount a fixed output varies with time, assuming a constant load and temperature.
- (5) Repeatability is the ability of the input module to register the same reading in successive measurements for the same input signal.
- (6) Rated working voltage is the maximum continuous voltage that can be applied at the input terminal, including the input signal and the value that floats above ground potential (for example, 10V DC input signal and 20V DC potential above ground).
- (7) If the optional 24V DC Class 2 power supply is used, the 24V DC current draw from the bus is 0 mA.

Table 74 - Certifications - 1769-OF2

Certification ⁽¹⁾	1769-OF2
c-UL	C-UL certified (under CSA C22.2 No. 142) UL 508 listed Class I, Division 2 Group A,B,C,D Hazardous Locations (UL 1604, C-UL under CSA C22.2 No. 213)
CE	CE compliant for all applicable directives
C-Tick	C-Tick compliant for all applicable directives Australian Radiocommunications Act, compliant with: <ul style="list-style-type: none"> • AS/NZS CISPR 11; Industrial Enclosure

- (1) When marked. See the Product Certification link at <http://www.ab.com> for Declarations of Conformity, Certificates, and other certification details.

1769-0F4

Compact voltage/current output analog module

Simplified Schematic

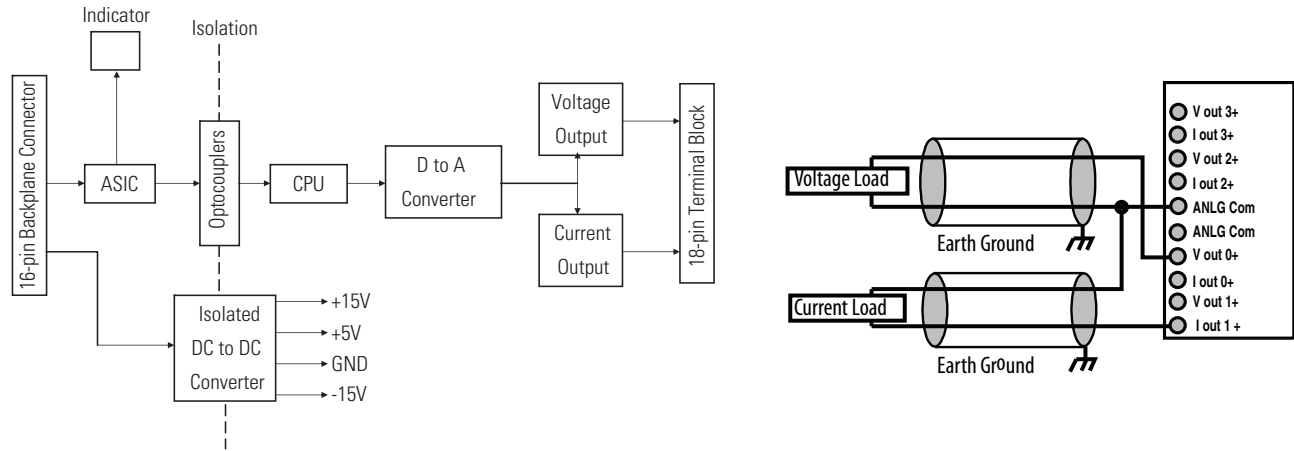


Table 75 - Technical Specifications - 1769-0F4

Attribute	1769-0F4
Outputs	4 single-ended
Output range	±10V 0...10V 0...5V 1...5V 0...20 mA 4...20 mA
Full scale range ⁽¹⁾	±10.5V -0.5...10.5V -0.5...5.25V 0.5...5.25V 0...21 mA 3.2...21 mA
Resolution	15 bits plus sign unipolar and bipolar
Current draw @ 5.1V	120 mA
Current draw @ 24V	170 mA
Heat dissipation, max	2.86 W
Conversion rate (all channels), max	Interrupts not enabled: 2.5 ms Interrupts enabled: 3.8 ms
Step response to 63% ⁽²⁾	2.9 ms
Resistive load	Current: 0...600 Ω (includes wire resistance) Voltage: 1 KΩ or greater
Inductive load, max	0.1 mH (current load) 1.0 μF (voltage load)
Field calibration	None required
Accuracy ⁽³⁾	0.5% full scale at 25 °C (77 °F)
Accuracy drift with temperature	±0.0086% of full scale per °C
Output ripple ⁽⁴⁾	±0.05% @ 0...50 kHz
Nonlinearity	±0.05%

Table 75 - Technical Specifications - 1769-OF4

Attribute	1769-OF4
Repeatability ⁽⁵⁾	±0.05%
Module error 0...60 °C (32...140 °F)	+/-0.8% of full scale
Output impedance	Voltage output: < 1.5Ω Current output: > 1 MΩ
Open and short-circuit protection	Yes
Short-circuit protection, max	40 mA
Output overvoltage protection	Yes
Output response at system power up and power down	2.5...-1.0V DC spike for < 15 ms
Rated working voltage ⁽⁶⁾	30V AC/30V DC
Isolation voltage	510V AC or 720V DC for 1 minute (qualification test), output group to bus 30V AC/30V DC working voltage (IEC Class 2 reinforced insulation)
Weight, approx	280 g (0.61 lb)
Dimensions (HxWxD), approx	118 x 35 x 87 mm (4.65 x 1.38 x 3.43 in.) Height with mounting tabs 138 mm (5.43 in.)
Slot width	1
Module location	DIN rail or panel mount
Power supply	1769-PA2, 1769-PB2, 1769-PA4, 1769-PB4
Optional 24V DC Class 2 power supply voltage range ⁽⁷⁾	20.4...26.4V DC
Power supply distance rating	8 modules
Terminal screw torque	0.68 N•m (6 lb•in)
Retaining screw torque	0.46 N•m (4.1 lb•in)
Wire size	(22...14 AWG) solid (22...16 AWG) stranded
Wire type	Cu-90 °C (194 °F)
Replacement terminal block	1769-RTBN18 (1 per kit)
Replacement door label	1769-RL2 (2 per kit)
Replacement door	1769-RD (2 per kit)
Vendor ID code	1
Product type code	10
Product code	48
Input words	5
Output words	5
Configuration words	32
Enclosure type rating	None (open style)

- (1) The over- or under-range flag will come on when the normal operating range (over/under) is exceeded. The module will continue to convert the analog input up to the maximum full scale range. The flag automatically resets when within the normal operating range.
- (2) Step response is the period of time between when the D/A converter was instructed to go from minimum to full range until the device is at 63% of full range.
- (3) Includes offset, gain, drift, nonlinearity, and repeatability error terms.
- (4) Output ripple is the amount a fixed output varies with time, assuming a constant load and temperature.
- (5) Repeatability is the ability of the output module to reproduce output readings when the same controller value is applied to it consecutively, under the same conditions and in the same direction.

- (6) Rated working voltage is the maximum continuous voltage that can be applied at the input terminal, including the input signal and the value that floats above ground potential (for example, 10V DC input signal and 20V DC potential above ground).
- (7) If the optional 24V DC Class 2 power supply is used, the 24V DC current draw from the bus is 0 mA.

Table 76 - Certifications - 1769-OF4

Certification ⁽¹⁾	1769-OF4
c-UL	C-UL certified (under CSA C22.2 No. 142) UL 508 listed Class I, Division 2 Group A,B,C,D Hazardous Locations (UL 1604, C-UL under CSA C22.2 No. 213)
CE	CE compliant for all applicable directives
C-Tick	C-Tick compliant for all applicable directives Australian Radiocommunications Act, compliant with: • AS/NZS CISPR 11; Industrial Enclosure

(1) When marked. See the Product Certification link at <http://www.ab.com> for Declarations of Conformity, Certificates, and other certification details.

1769-0F4CI

Compact current output, individually-isolated analog module

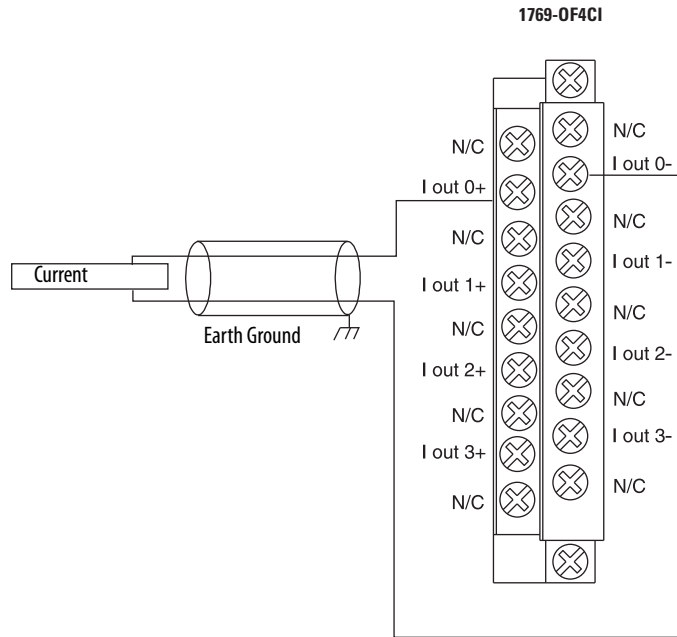


Table 77 - Technical Specifications - 1769-0F4CI

Attribute	1769-0F4CI
Outputs	4 differential, individually isolated
Output range	0...20 mA 4...20 mA
Full scale range ⁽¹⁾	0...21 mA 3.2...21 mA
Resolution	16 bits (unipolar) 0...20 mA: 15.91 bits, 0.323 μ A/bit 4...20 mA: 15.59 bits, 0.323 μ A/bit
Bus current draw	5V DC, 145 mA 24V DC, 120 mA
Heat dissipation, max	2.68 W
Conversion rate (all channels), max	110 ms
Limited voltage/current ⁽²⁾	< 2.9 ms
Resistive load on current output	0...500 Ω (includes wire resistance)
Inductive load (current outputs), max	0.1 mH
Field calibration	None required
Accuracy ⁽³⁾	\pm 0.35% full scale @ 25 $^{\circ}$ C (77 $^{\circ}$ F)
Accuracy drift with temperature	\pm 0.0058% FS per $^{\circ}$ C
Output ripple ⁽⁴⁾	\pm 0.05% @ 0...50 kHz
Nonlinearity	\pm 0.05%
Repeatability ⁽⁵⁾	\pm 0.05%
Module error	\pm 0.55%

Table 77 - Technical Specifications - 1769-0F4CI

Attribute	1769-0F4CI
Output impedence	>1 M Ω
Open and short-circuit protection	Yes
Short-circuit protection, max	21 mA
Output overvoltage protection	Yes
Output response at system powerup and power down	No current glitch
Rated working voltage ⁽⁶⁾	30V AC/30V DC
Isolation voltage	500V AC or 710V DC for 1 min (qualification test), output group to bus 30V AC/30V DC working voltage (IEC Class 2 reinforced insulation)
Weight, approx	270 g (0.60 lb)
Dimensions (HxWxD), approx	118 x 35 x 87 mm (4.65 x 1.38 x 3.43 in.) Height with mounting tabs 138 mm (5.43 in.)
Slot width	1
Module location	DIN rail or panel mount
Power supply	1769-PA2, 1769-PB2, 1769-PA4, 1769-PB4
Power supply distance rating	8 modules
Terminal screw torque	0.68 N•m (6 lb•in)
Retaining screw torque	0.46 N•m (4.1 lb•in)
Wire size	(22...14 AWG) solid (22...16 AWG) stranded
Wire type	Cu-90 °C (194 °F)
Recommended cable	Belden 8761 (shielded)
Replacement terminal block	1769-RTBN18 (1 per kit)
Replacement door label	1769-RL2 (2 per kit)
Replacement door	1769-RD (2 per kit)
Vendor ID code	1
Product type code	10
Product code	45
Input words	6
Output words	5
Configuration words	32
Enclosure type rating	None (open style)

- (1) The over- or under-range flag will come on when the normal operating range (over/under) is exceeded. The module will continue to convert the analog input up to the maximum full scale range. The flag automatically resets when within the normal operating range.
- (2) Step response is the period of time between when the D/A converter was instructed to go from minimum to full range until the device is at 63% of full range.
- (3) Includes offset, gain, nonlinearity, and repeatability error terms.
- (4) Output ripple is the amount a fixed output varies with time, assuming a constant load and temperature.
- (5) Repeatability is the ability of the input module to register the same reading in successive measurements for the same input signal.
- (6) Rated working voltage is the maximum continuous voltage that can be applied at the input terminal, including the input signal and the value that floats above ground potential (for example, 10V DC input signal and 20V DC potential above ground).

Environmental Specifications - 1769-OF4CI

Attribute	1769-OF4CI
Temperature, storage	-40...85 °C (-40...185 °F)
Temperature, operating	0...60 °C (32...140 °F)
Relative humidity	5...95% noncondensing
Altitude, operating	2000 m (6561 ft)
Vibration, operating	10...500 Hz, 5 g, 0.030 in. peak-to-peak
Shock, operating	30 g, 11 ms panel-mounted (20 g, 11 ms DIN rail-mounted)
Shock, nonoperating	40 g panel-mounted (30 g DIN rail-mounted)
Radiated and conducted emissions IEC 61000-6-4 CISPR 11	Group 1, Class A
ESD immunity IEC 61000-4-2	4 kV contact 8 kV air 4 kV indirect
Radiated immunity IEC 61000-4-3	10 V/m, 80...1000 MHz, 80% amplitude modulation
Burst, fast transient IEC 61000-4-4	2 kV, 5 kHz
Surge immunity IEC 61000-4-5	1 kV galvanic gun
Conducted immunity ⁽¹⁾ IEC 61000-4-6	10V DC, 0.15...80 MHz

(1) Conducted immunity frequency range may be 150...30 MHz if the Radiated immunity frequency range is 30...1000 MHz.

Table 78 - Certifications - 1769-OF4CI

Certification⁽¹⁾	1769-OF4CI
c-UL	C-UL certified (under CSA C22.2 No. 142) UL 508 listed UL listed for Class I, Division 2 Group A,B,C,D Hazardous Locations (ANSI/ISA 12.12.01-2007, 120-01,C-UL under CSA C22.2 No. 213)
CE	CE compliant for all applicable directives
C-Tick	C-Tick compliant for all applicable directives Australian Radiocommunications Act, compliant with: <ul style="list-style-type: none"> AS/NZS CISPR 11; Industrial Enclosure

(1) When marked. See the Product Certification link at <http://www.ab.com> for Declarations of Conformity, Certificates, and other certification details.

1769-0F4VI

Compact voltage output, individually isolated analog module

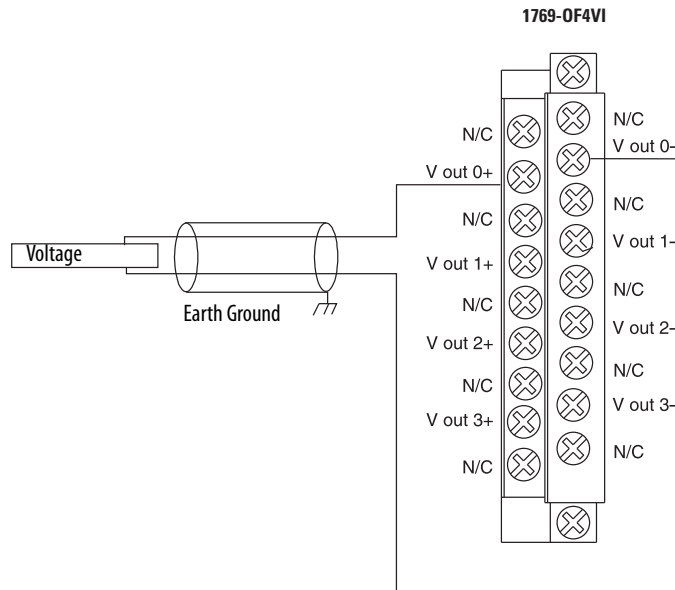


Table 79 - Technical Specifications - 1769-0F4VI

Attribute	1769-0F4VI
Outputs	4 differential, individually isolated
Output range ⁽¹⁾	±10V DC 0...10V DC 0...5V DC 1...5V DC
Full scale range	±10.5V DC -0.5...10.5V DC -0.5...5.25V DC 0.5...5.25V DC
Resolution	15 bits plus sign (bipolar) ±10V DC: 15.89 bits, 330 μV/bit 0...10V DC: 14.89 bits, 330 μV/bit 0...5V DC: 13.89 bits, 330 μV/bit 1...5V DC: 13.57 bits, 330 μV/bit
Bus current draw	5V DC, 145 mA 24V DC, 120 mA
Heat dissipation, max	2.0 W (all points-10 V into 2 k - worst case calculated)
Conversion rate (all channels), max	120 ms
Limited voltage/current ⁽²⁾	< 2.9 ms
Load output current, max	5 mA
Load range output	≥ 2 kΩ
Capacitive load (voltage outputs), max	1 μF
Field calibration	None required
Accuracy ⁽³⁾	±0.5% full scale @ 25 °C (77 °F)

Table 79 - Technical Specifications - 1769-OF4VI

Attribute	1769-OF4VI
Accuracy drift with temperature	±0.0086% FS per °C
Output ripple ⁽⁴⁾	±0.05% @ 0...50 kHz
Nonlinearity	±0.05%
Repeatability ⁽⁵⁾	±0.05%
Module error	±0.8%
Output impedance	< 1 Ω
Open and short-circuit protection	Yes
Short-circuit protection, max	35 mA typical 42 mA, max
Output overvoltage protection	Yes
Output response at system powerup and power down	Powerup: ±1.2V DC spike for < 0.4 ms Power down: ±1.2V DC spike for 21 ms
Rated working voltage ⁽⁶⁾	30V AC/30V DC
Isolation voltage	500V AC or 710V DC for 1 min (qualification test), output group to bus 30V AC/30V DC working voltage (IEC Class 2 reinforced insulation)
Weight, approx	270 g (0.60 lbs)
Dimensions (HxWxD), approx	118 x 35 x 87 mm (4.65 x 1.38 x 3.43 in.) Height with mounting tabs 138 mm (5.43 in.)
Slot width	1
Module location	DIN rail or panel mount
Power supply	1769-PA2, 1769-PB2, 1769-PA4, 1769-PB4
Power supply distance rating	8 modules
Terminal screw torque	0.68 N•m (6 lb•in)
Retaining screw torque	0.46 N•m (4.1 lb•in)
Wire size	(22...14 AWG) solid (22...16 AWG) stranded
Wire type	Cu-90 °C (194 °F)
Recommended cable	Belden 8761 (shielded)
Replacement terminal block	1769-RTBN18 (1 per kit)
Replacement door label	1769-RL2 (2 per kit)
Replacement door	1769-RD (2 per kit)
Vendor ID code	1
Product type code	10
Product code	42
Input words	6
Output words	5
Configuration words	32
Enclosure type rating	None (open style)

(1) The over- or under-range flag will come on when the normal operating range (over/under) is exceeded. The module will continue to convert the analog input up to the maximum full scale range. The flag automatically resets when within the normal operating range.

(2) Step response is the period of time between when the D/A converter was instructed to go from minimum to full range until the device is at 63% of full range.

- (3) Includes offset, gain, nonlinearity, and repeatability error terms.
- (4) Output ripple is the amount a fixed output varies with time, assuming a constant load and temperature.
- (5) Repeatability is the ability of the input module to register the same reading in successive measurements for the same input signal.
- (6) Rated working voltage is the maximum continuous voltage that can be applied at the input terminal, including the input signal and the value that floats above ground potential (for example, 10V DC input signal and 20V DC potential above ground).

Table 80 - Environmental Specifications - 1769-OF4VI

Attribute	1769-OF4VI
Temperature, storage	-40...85 °C (-40...185 °F)
Temperature, operating	0...60 °C (32...140 °F)
Relative humidity	5...95% noncondensing
Altitude, operating	2000 m (6561 ft)
Vibration, operating	10...500 Hz, 5 g, 0.030 in. peak-to-peak
Shock, operating	30 g, 11 ms panel-mounted (20 g, 11 ms DIN rail-mounted)
Shock, nonoperating	40 g panel-mounted (30 g DIN rail-mounted)
Radiated and conducted emissions IEC 61000-6-4 CISPR 11	Group 1, Class A
ESD immunity IEC 61000-4-2	4 kV contact 8 kV air 4 kV indirect
Radiated immunity IEC 61000-4-3	10 V/m, 80...1000 MHz, 80% amplitude modulation
Burst, fast transient IEC 61000-4-4	2 kV, 5 kHz
Surge immunity IEC 61000-4-5	1 kV galvanic gun
Conducted immunity ⁽¹⁾ IEC 61000-4-6	10V DC, 0.15...80 MHz

(1) Conducted immunity frequency range may be 150...30 MHz if the Radiated immunity frequency range is 30...1000 MHz.

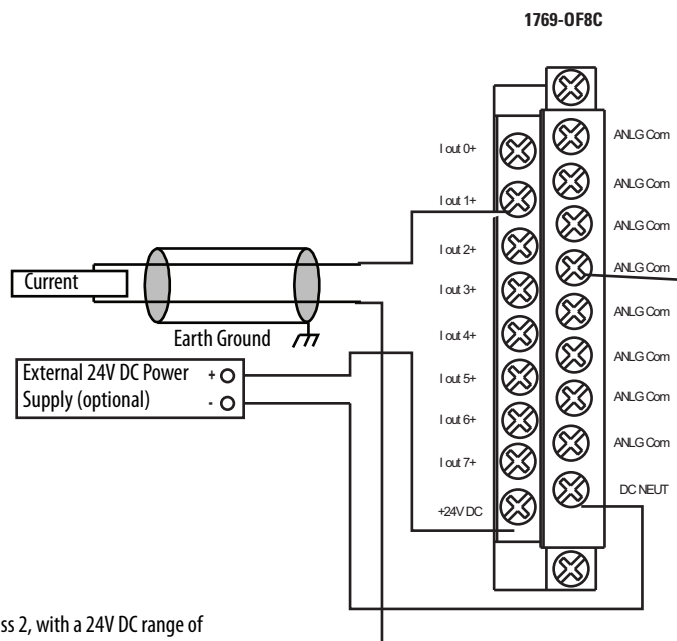
Table 81 - Certifications - 1769-OF4VI

Certification ⁽¹⁾	1769-OF4VI
c-UL	C-UL certified (under CSA C22.2 No. 142) UL 508 listed UL listed for Class I, Division 2 Group A,B,C,D Hazardous Locations (ANSI/ISA 12.12.01-2007, C-UL under CSA C22.2 No. 213)
CE	CE compliant for all applicable directives
C-Tick	C-Tick compliant for all applicable directives Australian Radiocommunications Act, compliant with: • AS/NZS CISPR 11; Industrial Enclosure

(1) When marked. See the Product Certification link at <http://www.ab.com> for Declarations of Conformity, Certificates, and other certification details.

1769-0F8C

Compact current output analog module



The external power supply must be rated Class 2, with a 24V DC range of 20.4...26.4V DC and 60 mA minimum. Series B and later modules support this option.

Table 82 - Technical Specifications - 1769-0F8C

Attribute	1769-0F8C
Outputs	8 single-ended
Output range	0...20 mA 4...20 mA
Full scale range ⁽¹⁾	0...21 mA 3.2...21 mA
Resolution	16 bits (unipolar) 0...20 mA: 15.91 bits, 0.323 μA/bit 4...20 mA: 15.59 bits, 0.323 μA/bit
Bus current draw	5V DC, 145 mA 24V DC, 185 mA
Heat dissipation, max	2.69 W
Conversion rate (all channels), max	5 ms
Step response to 63% ⁽²⁾	< 2.9 ms
Resistive load on current output	0...500 Ω (includes wire resistance)
Inductive load (current outputs), max	0.1 mH
Field calibration	None required
Accuracy ⁽³⁾	±0.35% full scale @ 25 °C (77 °F)

Table 82 - Technical Specifications - 1769-0F8C

Attribute	1769-0F8C
Accuracy drift with temperature	±0.0058% per °C
Output ripple ⁽⁴⁾	±0.05% @ 0...50 kHz
Nonlinearity	±0.05%
Repeatability ⁽⁵⁾	±0.05%
Module error	±0.55%
Offset error	±0.05%
Output impedance	> 1 MΩ
Open and short-circuit protection	Yes
Short-circuit protection, max	21 mA
Output overvoltage protection	Yes
Output response at system powerup and power down	±0.5V DC spike for < 5 ms
Rated working voltage ⁽⁶⁾	30V AC/30V DC
Isolation voltage	500V AC or 710V DC for 1 min (qualification test), output group to bus 30V AC/30V DC working voltage (IEC Class 2 reinforced insulation)
Weight, approx	281 g (0.62 lb)
Dimensions (HxWxD), approx	118 x 35 x 87 mm (4.65 x 1.38 x 3.43 in.) Height with mounting tabs 138 mm (5.43 in.)
Slot width	1
Module location	DIN rail or panel mount
Power supply	1769-PA2, 1769-PB2, 1769-PA4, 1769-PB4
Optional 24V DC Class 2 power supply voltage range ⁽⁷⁾	20.4...26.4V DC
Power supply distance rating	8 modules
Terminal screw torque	0.68 N•m (6 lb•in)
Retaining screw torque	0.46 N•m (4.1 lb•in)
Wire size	(22...14 AWG) solid (22...16 AWG) stranded
Wire type	Cu-90 °C (194 °F)
Replacement terminal block	1769-RTBN18 (1 per kit)
Replacement door label	1769-RL2 (2 per kit)
Replacement door	1769-RD (2 per kit)
Vendor ID code	1
Product type code	10
Product code	40
Input words	11
Output words	9
Configuration words	64
Enclosure type rating	None (open style)

(1) The over- or under-range flag will come on when the normal operating range (over/under) is exceeded. The module will continue to convert the analog input up to the maximum full scale range. The flag automatically resets when within the normal operating range.

(2) Step response is the period of time between when the D/A converter was instructed to go from minimum to full range until the device is at 63% of full range.

- (3) Includes offset, gain, nonlinearity, and repeatability error terms.
- (4) Output ripple is the amount a fixed output varies with time, assuming a constant load and temperature.
- (5) Repeatability is the ability of the input module to register the same reading in successive measurements for the same input signal.
- (6) Rated working voltage is the maximum continuous voltage that can be applied at the input terminal, including the input signal and the value that floats above ground potential (for example, 10V DC input signal and 20V DC potential above ground).
- (7) If the optional 24V DC Class 2 power supply is used, the 24V DC current draw from the bus is 0 mA.

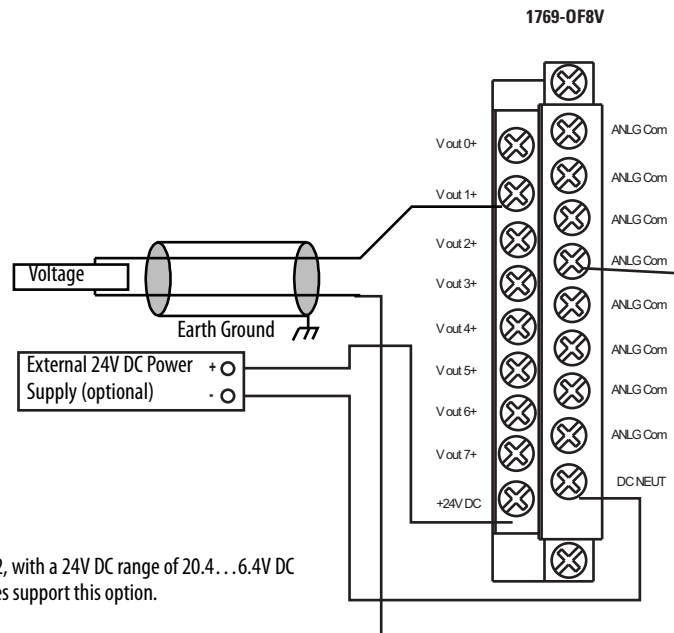
Table 83 - Certifications - 1769-OF8C

Certification⁽¹⁾	1769-OF8C
c-UL	C-UL certified (under CSA C22.2 No. 142) UL 508 listed Class I, Division 2 Group A,B,C,D Hazardous Locations (UL 1604, C-UL under CSA C22.2 No. 213)
CE	CE compliant for all applicable directives
C-Tick	C-Tick compliant for all applicable directives Australian Radiocommunications Act, compliant with: <ul style="list-style-type: none"> • AS/NZS CISPR 11; Industrial Enclosure

(1) When marked. See the Product Certification link at <http://www.ab.com> for Declarations of Conformity, Certificates, and other certification details.

1769-0F8V

Compact voltage output analog module



The external power supply must be rated Class 2, with a 24V DC range of 20.4...6.4V DC and 60 mA minimum. Series B and later modules support this option.

Table 84 - Technical Specifications - 1769-0F8V

Attribute	1769-0F8V
Outputs	8 single-ended
Output range	±10V 0...10V 0...5V 1...5V
Full scale range ⁽¹⁾	±10.5V -0.5...10.5V -0.5...5.25V 0.5...5.25V
Resolution	16 bits plus sign (bipolar) ±10V DC: 15.89 bits, 330 μV/bit 0...10V DC: 14.89 bits, 330 μV/bit 0...5V DC: 13.89 bits, 330 μV/bit 1...5V DC: 13.57 bits, 330 μV/bit
Bus current draw	5V DC, 145 mA 24V DC, 135 mA
Heat dissipation, max	2.16 W
Conversion rate (all channels), max	5.0 ms
Step response to 63% ⁽²⁾	< 2.9 ms
Load output current, max	10 mA
Load range output	> 1 kΩ
Capacitive load (voltage outputs), max	1 μF

Table 84 - Technical Specifications - 1769-OF8V

Attribute	1769-OF8V
Field calibration	None required
Accuracy ⁽³⁾	±0.5% full scale @ 25 °C (77 °F)
Accuracy drift with temperature	±0.0086% per °C
Output ripple ⁽⁴⁾	±0.05% @ 0...50 kHz
Nonlinearity	±0.05%
Repeatability ⁽⁵⁾	±0.05%
Module error	±0.8%
Offset error	±0.05%
Output impedance	< 1 Ω
Open and short-circuit protection	Yes
Short-circuit protection, max	30 mA
Output overvoltage protection	Yes
Output response at system powerup and power down	± 0.5V DC spike for < 5 ms
Rated working voltage ⁽⁶⁾	30V AC/30V DC
Isolation voltage	500V AC or 710V DC for 1 min (qualification test), output group to bus 30V AC/30V DC working voltage (IEC Class 2 reinforced insulation)
Weight, approx	263 g (0.58 lb)
Dimensions (HxWxD), approx	118 x 35 x 87 mm (4.65 x 1.38 x 3.43 in.) Height with mounting tabs 138 mm (5.43 in.)
Slot width	1
Module location	DIN rail or panel mount
Power supply	1769-PA2, 1769-PB2, 1769-PA4, 1769-PB4
Optional 24V DC Class 2 power supply voltage range ⁽⁷⁾	20.4...26.4V DC
Power supply distance rating	8 modules
Terminal screw torque	0.68 N•m (6 lb•in)
Retaining screw torque	0.46 N•m (4.1 lb•in)
Wire size	(22...14 AWG) solid (22...16 AWG) stranded
Wire type	Cu-90 °C (194 °F)
Replacement terminal block	1769-RTBN18 (1 per kit)
Replacement door label	1769-RL2 (2 per kit)
Replacement door	1769-RD (2 per kit)
Vendor ID code	1
Product type code	10
Product code	39
Input words	11
Output words	9
Configuration words	64
Enclosure type rating	None (open style)

- (1) The over- or under-range flag will come on when the normal operating range (over/under) is exceeded. The module will continue to convert the analog input up to the maximum full scale range. The flag automatically resets when within the normal operating range.
- (2) Step response is the period of time between when the D/A converter was instructed to go from minimum to full range until the device is at 63% of full range.
- (3) Includes offset, gain, nonlinearity, and repeatability error terms.
- (4) Output ripple is the amount a fixed output varies with time, assuming a constant load and temperature.
- (5) Repeatability is the ability of the input module to register the same reading in successive measurements for the same input signal.
- (6) Rated working voltage is the maximum continuous voltage that can be applied at the input terminal, including the input signal and the value that floats above ground potential (for example, 10V DC input signal and 20V DC potential above ground).
- (7) If the optional 24V DC Class 2 power supply is used, the 24V DC current draw from the bus is 0 mA.

Table 85 - Certifications - 1769-OF8V

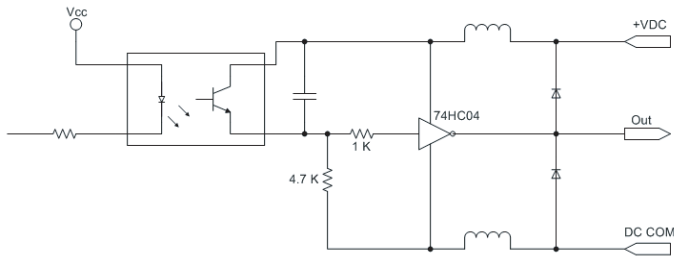
Certification⁽¹⁾	1769-OF8V
c-UL	C-UL certified (under CSA C22.2 No. 142) UL 508 listed Class I, Division 2 Group A,B,C,D Hazardous Locations (UL 1604, C-UL under CSA C22.2 No. 213)
CE	CE compliant for all applicable directives
C-Tick	C-Tick compliant for all applicable directives Australian Radiocommunications Act, compliant with: <ul style="list-style-type: none"> • AS/NZS CISPR 11; Industrial Enclosure

(1) When marked. See the Product Certification link at <http://www.ab.com> for Declarations of Conformity, Certificates, and other certification details.

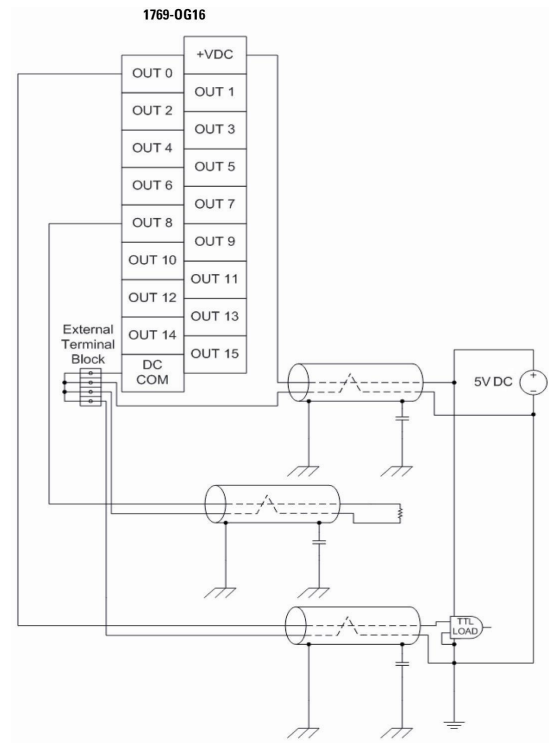
1769-0G16

Compact TTL output module

Simplified Output Circuit Diagram



- Use Belden 8761, or equivalent, shielded wire.
- Do not connect more than two wires to any single terminal.
- DC power cable and I/O cables should not exceed 10 m (30 ft).
- The capacitors shown above must be 0.01 μ F and rated for 2000V min.
- User power supply must be rated Class 2 with a 5V DC range of 4.5 . . . 5.5V DC.



Low to True Format - 1769-0G16

- 0...0.4V DC = Output guaranteed to be in on-state
- 0.4...4.5V DC = Output state not guaranteed
- 4.5...5.5V DC = Output guaranteed to be in off-state

Table 86 - Technical Specifications - 1769-0G16

Attribute	1769-0G16
Outputs	16
Voltage category	5V DC TTL (Low=True) ⁽¹⁾
Operating voltage range	4.5 . . . 5.5V DC 50 mV peak-to-peak ripple max
Output delay, off to on	0.25 ms
Output delay, on to off	0.50 ms
Current draw @ 5.1V	200 mA
Heat dissipation, max	1.2 W
Off-state voltage, typical	4.5 . . . 5.5V DC
On-state voltage	0 . . . 0.4V DC
Load current, min	0.15 mA

Table 86 - Technical Specifications - 1769-0G16

Attribute	1769-0G16
Current per point, max	24 mA
Isolation voltage	Verified by one of the following dielectric tests: 1200V AC for 2 s or 1697V DC for 2 s, output point to bus 75V DC working voltage (IEC Class 2 reinforced insulation)
Weight, approx	250 g (0.55 lb)
Dimensions (HxWxD), approx	118 x 35 x 87 mm (4.65 x 1.38 x 3.43 in.) Height with mounting tabs 138 mm (5.43 in.)
Slot width	1
Module location	DIN rail or panel mount
Power supply	1769-PA2, 1769-PB2, 1769-PA4, 1769-PB4
Power supply distance rating	8 modules
Terminal screw torque	0.68 N•m (6 lb•in)
Retaining screw torque	0.46 N•m (4.1 lb•in)
Wire size	(22...14 AWG) solid (22...16 AWG) stranded
Wire type	Cu-90 °C (194 °F)
Vendor ID code	1
Product type code	7
Product code	78
Input words	1
Output words	1
Configuration words	5
Enclosure type rating	None (open-style)

(1) TTL inputs are inverted (-0.2 to +0.8 = low voltage = True = On.) Use a NOT instruction in your program to convert to traditional True = High logic.

Table 87 - Certifications - 1769-0G16

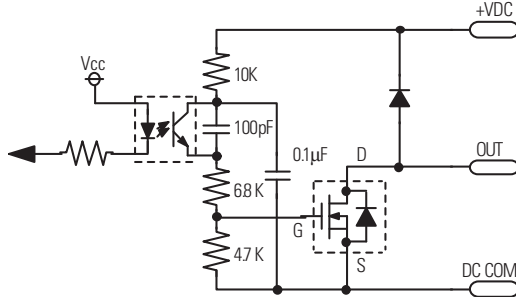
Certification ⁽¹⁾	1769-0G16
c-UL	C-UL certified (under CSA C22.2 No. 142) UL 508 listed Class I, Division 2 Group A,B,C,D Hazardous Locations (UL 1604, C-UL under CSA C22.2 No. 213)
CE	CE compliant for all applicable directives

(1) When marked. See the Product Certification link at <http://www.ab.com> for Declarations of Conformity, Certificates, and other certification details.

1769-0V16

Compact solid state 24V DC sink output module

Simplified Output Circuit Diagram



1769-0V16

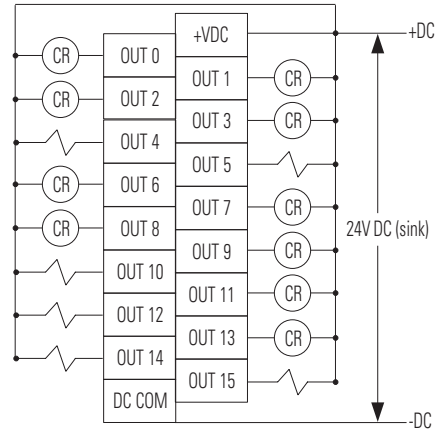


Table 88 - Technical Specifications - 1769-0V16

Attribute	1769-0V16
Outputs	16 (16 points/group)
Voltage category	24V DC sink
Operating voltage range	20.4...26.4V DC
Output delay, on	0.1 ms
Output delay, off	1.0 ms
Current draw @ 5.1V	200 mA
Heat dissipation, max	2.06 W
Off-state leakage current, max ⁽¹⁾	1.0 mA @ 26.4V DC
On-state current, min	1.0 mA
On-state voltage drop, max	1.0V DC @ 1 A
Current per point, max	0.5 A @ 60 °C (140 °F) 1.0 A @ 30 °C (86 °F)
Current per module, max	4.0 A @ 60 °C (140 °F) 8.0 A @ 30 °C (86 °F)
Surge current ⁽²⁾	2.0 A for 10 ms, repeatable every 2 s
Isolation voltage	Verified by one of the following dielectric tests: 1200V AC for 1 s or 1697V DC for 1 s, output point to bus 75V DC working voltage (IEC Class 2 reinforced insulation)
Weight, approx	280 g (0.61 lb)
Dimensions (HxWxD), approx	118 x 35 x 87 mm (4.65 x 1.38 x 3.43 in.) Height with mounting tabs 138 mm (5.43 in.)
Slot width	1
Module location	DIN rail or panel mount
Power supply	1769-PA2, 1769-PB2, 1769-PA4, 1769-PB4

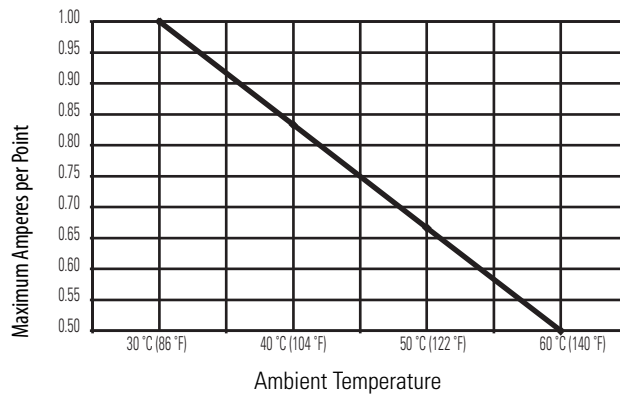
Table 88 - Technical Specifications - 1769-0V16

Attribute	1769-0V16
Power supply distance rating	8 modules
Terminal screw torque	0.68 N•m (6 lb•in)
Retaining screw torque	0.46 N•m (4.1 lb•in)
Wire size	(22...14 AWG) solid (22...16 AWG) stranded
Wire type	Cu-90 °C (194 °F)
Replacement terminal block	1769-RTBN18 (1 per kit)
Replacement door label	1769-RL1 (2 per kit)
Replacement door	1769-RD (2 per kit)
Vendor ID code	1
Product type code	7
Product code	72
Enclosure type rating	None (open style)

- (1) To limit the effects of leakage current through solid state outputs, a loading resistor can be connected in parallel with your load. Use a 5.6 kΩ, 1/2 W resistor for transistor outputs, 24V DC operation.
- (2) Use a 1N4004 diode reverse-wired across the load for transistor outputs switching 24V DC inductive loads.

Temperature Derating - 1769-0V16

1769-0V16 Maximum Amperes per Point versus Temperature



1769-0V16 Maximum Amperes per Module versus Temperature

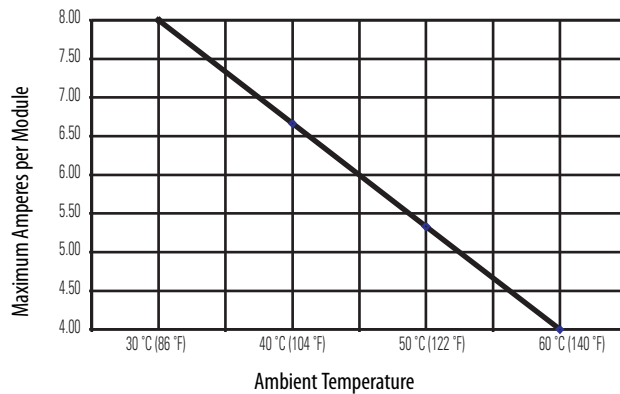


Table 89 - Certifications - 1769-0V16

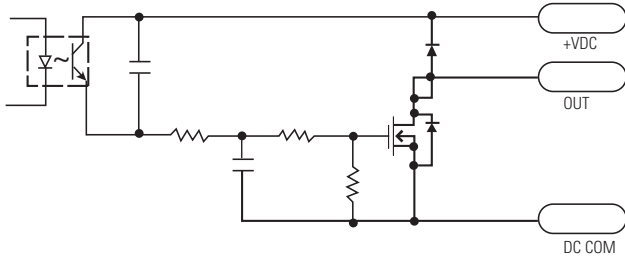
Certification⁽¹⁾	1769-0V16
c-UL	C-UL certified (under CSA C22.2 No. 142) UL 508 listed Class I, Division 2 Group A,B,C,D Hazardous Locations (UL 1604, C-UL under CSA C22.2 No. 213)
CE	CE compliant for all applicable directives
C-Tick	C-Tick compliant for all applicable directives Australian Radiocommunications Act, compliant with: <ul style="list-style-type: none">• AS/NZS CISPR 11; Industrial Enclosure

(1) When marked. See the Product Certification link at <http://www.ab.com> for Declarations of Conformity, Certificates, and other certification details.

1769-0V32T

Compact solid state 24V DC sink, terminated output module

Simplified Output Circuit Diagram



1769-0V32T

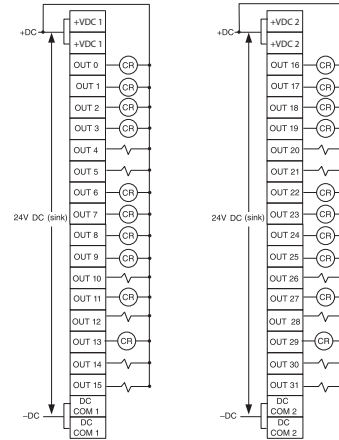


Table 90 - Technical Specifications - 1769-0V32T

Attribute	1769-0V32T
Outputs	32 terminated (16 points/group)
Voltage category	24V DC sink
Operating voltage range	10.2...26.4V DC
Output delay, on	< 16V, 1.5 ms >= 16V, 1.0 ms
Output delay, off	4.0 ms
Bus current draw	5V DC, 0.220 A 24V DC, 0 A
Heat dissipation, max	4.5 W
Off-state leakage current, max ⁽¹⁾	1.0 mA @ 26.4V DC
On-state current, min	1.0 mA
On-state voltage drop, max	0.3V DC @ 0.5 A
Current per point, max	0.5 A
Current per module, max	4.0 A
Surge current ⁽²⁾	2.0 A for 10 ms, repeatable every 2 s
Isolation voltage	Verified by one of the following dielectric tests: 1200V AC for 1 s or 1697V DC for 1 s, output point to bus 75V DC working voltage (IEC Class 2 reinforced insulation)
Weight, approx	450 g (0.992 lb)
Dimensions (HxWxD), approx	118 x 35 x 87 mm (4.65 x 1.38 x 3.43 in.) Height with mounting tabs 138 mm (5.43 in.)
Slot width	1
Module location	DIN rail or panel mount
Power supply	1769-PA2, 1769-PB2, 1769-PA4, 1769-PB4

Table 90 - Technical Specifications - 1769-0V32T

Attribute	1769-0V32T
Power supply distance rating	8 modules
Terminal screw torque	0.68 N•m (6 lb•in)
Retaining screw torque	0.46 N•m (4.1 lb•in)
Wire size	(22...14 AWG) solid (22...16 AWG) stranded
Wire type	Cu-90 °C (194 °F)
Replacement connector	1746-N3 (1 connector, 40 terminals)
Vendor ID code	1
Product type code	7
Product code	75
Enclosure type rating	None (open style)

- (1) To limit the effects of leakage current through solid state outputs, a loading resistor can be connected in parallel with your load. Use a 5.6 k Ω , 1/2 W resistor for transistor outputs, 24V DC operation.
- (2) Use a 1N4004 diode reverse-wired across the load for transistor outputs switching 24V DC inductive loads.

Table 91 - Certifications - 1769-0V32T

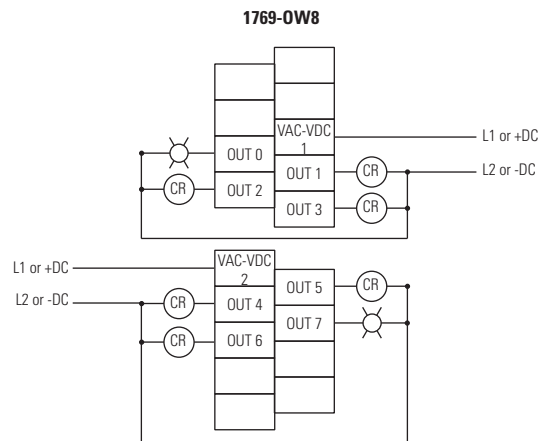
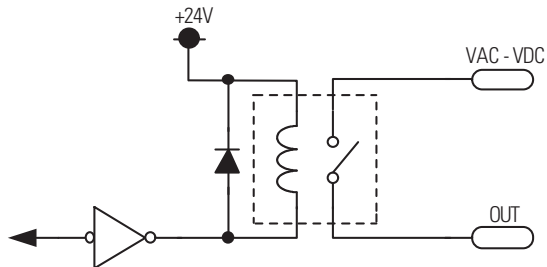
Certification ⁽¹⁾	1769-0V32T
c-UL	C-UL certified (under CSA C22.2 No. 142) UL 508 listed Class I, Division 2 Group A,B,C,D Hazardous Locations (UL 1604, C-UL under CSA C22.2 No. 213)
CE	CE compliant for all applicable directives
C-Tick	C-Tick compliant for all applicable directives Australian Radiocommunications Act, compliant with: <ul style="list-style-type: none"> AS/NZS CISPR 11; Industrial Enclosure

- (1) When marked. See the Product Certification link at <http://www.ab.com> for Declarations of Conformity, Certificates, and other certification details.

1769-0W8

Compact AC/DC relay contact module

Simplified Output Circuit Diagram


Table 92 - Technical Specifications - 1769-0W8

Attribute	1769-0W8
Outputs	8 normally open (4 points/group)
Operating voltage range	5...265V AC 5...125V DC
Delay, on	10 ms
Delay, off	10 ms
Current draw @ 5.1V	125 mA
Current draw @ 24V	100 mA
Heat dissipation, max	2.83 W
Off-state leakage, max	0 mA
On-state current, min	10 mA @ 5V DC
Current per point, max	2.5 A
Current per module, max	16 A
Isolation voltage	Verified by one of the following dielectric tests: 1836V AC for 1 s or 2596V DC for 1 s, output point to bus and group to group 265V AC working voltage (IEC Class 2 reinforced insulation)
Weight, approx	280 g (0.61 lb)
Dimensions (HxWxD), approx	118 x 35 x 87 mm (4.65 x 1.38 x 3.43 in.) Height with mounting tabs 138 mm (5.43 in.)
Slot width	1
Module location	DIN rail or panel mount
Power supply	1769-PA2, 1769-PB2, 1769-PA4, 1769-PB4
Power supply distance rating	8 modules
Terminal screw torque	0.68 N•m (6 lb•in)
Retaining screw torque	0.46 N•m (4.1 lb•in)

Table 92 - Technical Specifications - 1769-OW8

Attribute	1769-OW8
Wire size	(22...14 AWG) solid (22...16 AWG) stranded
Wire type	Cu-90 °C (194 °F)
Replacement terminal block	1769-RTBN10 (1 per kit)
Replacement door label	1769-RL1 (2 per kit)
Replacement door	1769-RD (2 per kit)
Vendor ID code	1
Product type code	7
Product code	86
Enclosure type rating	None (open style)

Table 93 - Relay Contact Ratings - 1769-OW8

Volts, max	Continuous Amps per Point, max	Amperes ⁽¹⁾		Voltamperes		NEMA ICS 2-125
		Make	Break	Make	Break	
240V AC	2.5 A	7.5 A	0.75 A	1800VA	180VA	C300
120V AC		15 A	1.5 A			
125V DC	1.0 A	0.22 A ⁽²⁾		28VA		R150
24V DC	2.0 A	1.2 A ⁽²⁾		28VA		—

(1) Connecting surge suppressors across your external inductive load will extend the life of the relay contacts.

(2) For DC voltage applications, the make/break ampere rating for relay contacts can be determined by dividing 28VA by the applied DC voltage. For example, 28VA/48V DC = 0.58 A. For DC voltage applications less than 48V, the make/break ratings for relay contacts cannot exceed 2 A.

Table 94 - Certifications - 1769-OW8

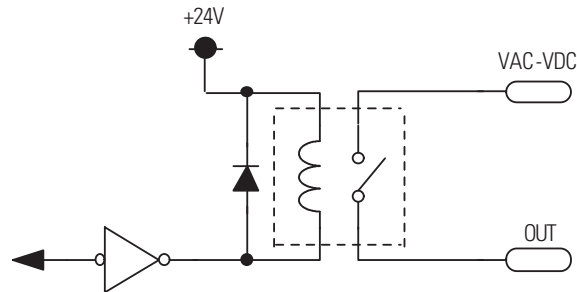
Certification ⁽¹⁾	1769-OW8
c-UL	C-UL certified (under CSA C22.2 No. 142) UL 508 listed Class I, Division 2 Group A,B,C,D Hazardous Locations (UL 1604, C-UL under CSA C22.2 No. 213)
CE	CE compliant for all applicable directives
C-Tick	C-Tick compliant for all applicable directives Australian Radiocommunications Act, compliant with: <ul style="list-style-type: none"> AS/NZS CISPR 11; Industrial Enclosure

(1) When marked. See the Product Certification link at <http://www.ab.com> for Declarations of Conformity, Certificates, and other certification details.

1769-0W8I

Compact AC/DC individually isolated, relay contact module

Simplified Output Circuit Diagram



1769-0W8I

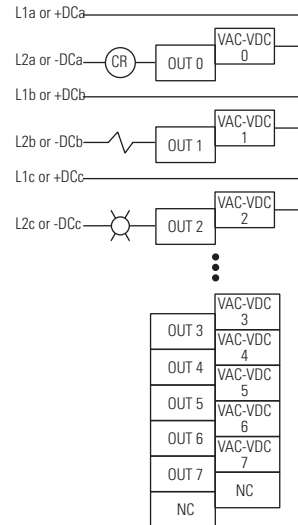


Table 95 - Technical Specifications - 1769-0W8I

Attribute	1769-0W8I
Outputs	8 normally open, individually isolated (4 points/group)
Operating voltage range	5...265V AC 5...125V DC
Delay, on	10 ms
Delay, off	10 ms
Current draw @ 5.1V	125 mA
Current draw @ 24V	100 mA
Heat dissipation, max	2.83 W
Off-state leakage, max	0 mA
On-state current, min	10 mA @ 5V DC
Current per point, max	2.5 A
Current per module, max	16 A
Isolation voltage	Verified by one of the following dielectric tests: 1836V AC for 1 s or 2596V DC for 1 s, output point to bus 265V AC working voltage (IEC Class 2 reinforced insulation) Verified by one of the following dielectric tests: 1836V AC for 1 s or 2596V DC for 1 s, group to group 265V AC working voltage (basic insulation) 150V AC working voltage (IEC Class 2 reinforced insulation)
Weight, approx	290 g (0.64 lb)
Dimensions (HxWxD), approx	118 x 35 x 87 mm (4.65 x 1.38 x 3.43 in.) Height with mounting tabs 138 mm (5.43 in.)
Slot width	1

Table 95 - Technical Specifications - 1769-OW8I

Attribute	1769-OW8I
Module location	DIN rail or panel mount
Power supply	1769-PA2, 1769-PB2, 1769-PA4, 1769-PB4
Power supply distance rating	8 modules
Terminal screw torque	0.68 N•m (6 lb•in)
Retaining screw torque	0.46 N•m (4.1 lb•in)
Wire size	(22...14 AWG) solid (22...16 AWG) stranded
Wire type	Cu-90 °C (194 °F)
Replacement terminal block	1769-RTBN18 (1 per kit)
Replacement door label	1769-RL1 (2 per kit)
Replacement door	1769-RD (2 per kit)
Vendor ID code	1
Product type code	7
Product code	87
Enclosure type rating	None (open style)

Table 96 - Relay Contact Ratings - 1769-OW8I

Volts, max	Continuous Amps per Point, max	Amperes ⁽¹⁾		Voltamperes		NEMA ICS 2-125
		Make	Break	Make	Break	
240V AC	2.5 A	7.5 A	0.75 A	1800VA	180VA	C300
120V AC		15 A	1.5 A			
125V DC	1.0 A	0.22 A ⁽²⁾		28VA		R150
24V DC	2.0 A	1.2 A ⁽²⁾		28VA		—

(1) Connecting surge suppressors across your external inductive load will extend the life of the relay contacts.

(2) For DC voltage applications, the make/break ampere rating for relay contacts can be determined by dividing 28VA by the applied DC voltage. For example, 28VA/48V DC = 0.58 A. For DC voltage applications less than 48V, the make/break ratings for relay contacts cannot exceed 2 A.

Table 97 - Certifications - 1769-OW8I

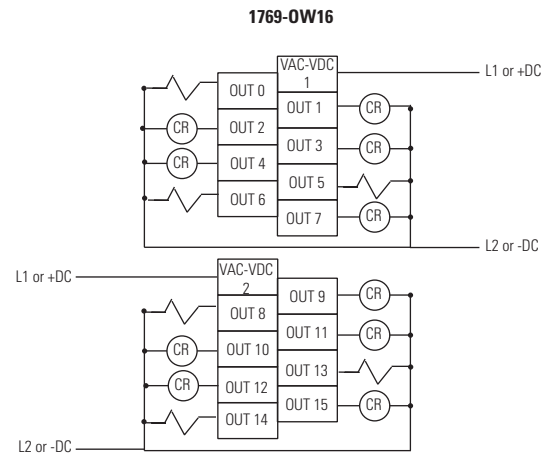
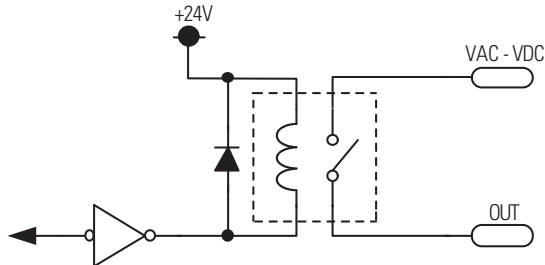
Certification ⁽¹⁾	1769-OW8I
c-UL	C-UL certified (under CSA C22.2 No. 142) UL 508 listed Class I, Division 2 Group A,B,C,D Hazardous Locations (UL 1604, C-UL under CSA C22.2 No. 213)
CE	CE compliant for all applicable directives
C-Tick	C-Tick compliant for all applicable directives Australian Radiocommunications Act, compliant with: <ul style="list-style-type: none"> AS/NZS CISPR 11; Industrial Enclosure

(1) When marked. See the Product Certification link at <http://www.ab.com> for Declarations of Conformity, Certificates, and other certification details.

1769-0W16

Compact AC/DC relay contact module

Simplified Output Circuit Diagram


Table 98 - Technical Specifications - 1769-0W16

Attribute	1769-0W16
Outputs	16 normally open (8 points/group)
Operating voltage range	5...265V AC 5...125V DC
Delay, on	10 ms
Delay, off	10 ms
Current draw @ 5.1V	205 mA
Current draw @ 24V	180 mA
Heat dissipation, max	4.75 W
Off-state leakage, max	0 mA
On-state current, min	10 mA @ 5V DC
Current per point, max	2.5 A
Current per module, max	20 A
Isolation voltage	Verified by one of the following dielectric tests: 1836V AC for 1 s or 2596V DC for 1 s, output point to bus 265V AC working voltage (IEC Class 2 reinforced insulation) Verified by one of the following dielectric tests: 1836V AC for 1 s or 2596V DC for 1 s, group to group 265V AC working voltage (basic insulation) 150V AC working voltage (IEC Class 2 reinforced insulation)
Weight, approx	450 g (0.99 lb)
Dimensions (HxWxD), approx	118 x 52.5 x 87 mm (4.65 x 2.07 x 3.43 in.) Height with mounting tabs 138 mm (5.43 in.)
Slot width	1.5
Module location	DIN rail or panel mount
Power supply	1769-PA2, 1769-PB2, 1769-PA4, 1769-PB4
Power supply distance rating	8 modules

Table 98 - Technical Specifications - 1769-0W16

Attribute	1769-0W16
Terminal screw torque	0.68 N•m (6 lb•in)
Retaining screw torque	0.46 N•m (4.1 lb•in)
Wire size	(22...14 AWG) solid (22...16 AWG) stranded
Wire type	Cu-90 °C (194 °F)
Replacement terminal block	1769-RTBN18 (1 per kit)
Replacement door label	1769-RL1 (2 per kit)
Replacement door	1769-RD (2 per kit)
Vendor ID code	1
Product type code	7
Product code	85
Enclosure type rating	None (open style)

Table 99 - Relay Contact Ratings - 1769-0W16

Volts, max	Continuous Amps per Point, max	Amperes ⁽¹⁾		Voltamperes		NEMA ICS 2-125
		Make	Break	Make	Break	
240V AC	2.5 A	7.5 A	0.75 A	1800VA	180VA	C300
120V AC		15 A	1.5 A			
125V DC	1.0 A	0.22 A ⁽²⁾		28VA		R150
24V DC	2.0 A	1.2 A ⁽²⁾		28VA		—

(1) Connecting surge suppressors across your external inductive load will extend the life of the relay contacts.

(2) For DC voltage applications, the make/break ampere rating for relay contacts can be determined by dividing 28VA by the applied DC voltage. For example, 28VA/48V DC = 0.58 A. For DC voltage applications less than 48V, the make/break ratings for relay contacts cannot exceed 2 A.

Table 100 - Certifications - 1769-0W16

Certification ⁽¹⁾	1769-0W16
c-UL	C-UL certified (under CSA C22.2 No. 142) UL 508 listed Class I, Division 2 Group A,B,C,D Hazardous Locations (UL 1604, C-UL under CSA C22.2 No. 213)
CE	CE compliant for all applicable directives
C-Tick	C-Tick compliant for all applicable directives Australian Radiocommunications Act, compliant with: <ul style="list-style-type: none"> AS/NZS CISPR 11; Industrial Enclosure

(1) When marked. See the Product Certification link at <http://www.ab.com> for Declarations of Conformity, Certificates, and other certification details.

1769-ARM

Compact address reserve module

Use the 1769-ARM address reserve module in CompactLogix systems to cost-effectively reserve module slots. After creating the CompactLogix system's I/O configuration and user program, any I/O module in the system can be removed and replaced with a 1769-ARM module once the removed module is inhibited by using RSLogix 5000 programming software. Inhibiting a module creates an I/O configuration and user program removing all references to that module.

To use the 1769-ARM module in MicroLogix systems, configure a generic module by using RSLogix 5000 programming software. Any user-program references to the slot position occupied by the 1769-ARM module must not use another module's parameters.

Table 101 - Technical Specifications - 1769-ARM

Attribute	1769-ARM
Current draw @ 5.1V	60 mA
Current draw @ 24V	0 mA
Heat dissipation, max	0.3 W
Weight, approx	280 g (0.62 lb)
Dimensions (HxWxD), approx	118 x 35 x 87 mm (4.65 x 1.38 x 3.43 in.) Height with mounting tabs 138 mm (5.43 in.)
Slot width	1
Module location	DIN rail or panel mount
Power supply	1769-PA2, 1769-PB2, 1769-PA4, 1769-PB4
Power supply distance rating	8 modules
Vendor ID code	1
Product type code	7
Product code	74
Enclosure type rating	None (open style)

Table 102 - Certifications - 1769-ARM

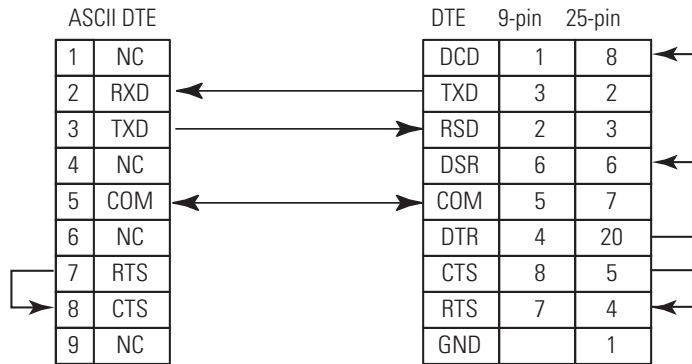
Certification ⁽¹⁾	1769-ARM
c-UL	C-UL certified (under CSA C22.2 No. 142) UL 508 listed Class I, Division 2 Group A,B,C,D Hazardous Locations (UL 1604, C-UL under CSA C22.2 No. 213)
CE	CE compliant for all applicable directives
C-Tick	C-Tick compliant for all applicable directives Australian Radiocommunications Act, compliant with: <ul style="list-style-type: none"> AS/NZS CISPR 11; Industrial Enclosure

(1) When marked. See the Product Certification link at <http://www.ab.com> for Declarations of Conformity, Certificates, and other certification details.

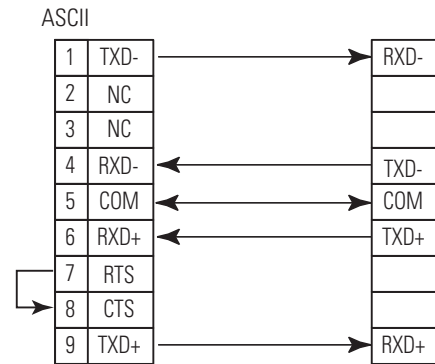
1769-ASCII

Compact ASCII module

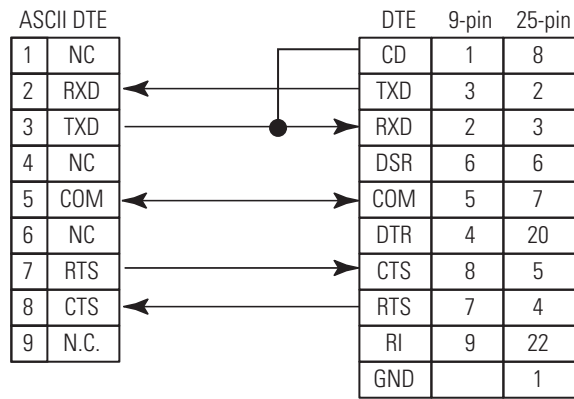
RS-232 Wiring Module to DTE Device (hardware handshaking disabled)



RS-422 Wiring



RS-232 Wiring - Module to Printer (hardware handshaking enabled, standard printer adapter cable)



RS-485 Wiring

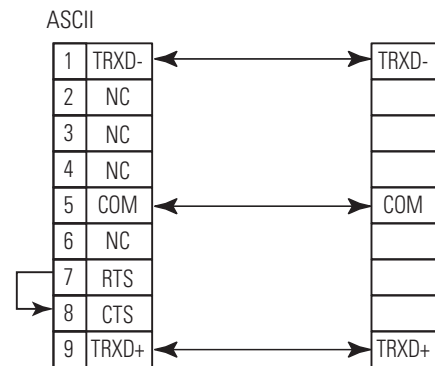


Table 103 - Technical Specifications - 1769-ASCII

Attribute	1769-ASCII
Inputs	2 full duplex (RS-232, RS-422) 2 half duplex (RS-485)
Serial input voltage signal	3...25V DC with respect to signal ground (SG) 0, Asserted, ON, Space, Active -3...-25V DC with respect to signal ground (SG) 1, Disasserted, OFF, Mark, Inactive
Current draw @ 5.1V	425 mA
Current draw @ 24V	0 mA
Power dissipation, max	2.13 W
Thermal dissipation, max	7.3 BTU/hr
Isolation voltage	30V Tested to withstand 710V DC for 60 s
Transmit transaction ID	0...255
Handshaking	RTS/CTS hardware handshaking always enabled
Weight, approx	0.18 kg (0.40 lb)

Table 103 - Technical Specifications - 1769-ASCII

Attribute	1769-ASCII
Dimensions (HxWxD), approx	118 x 35 x 87 mm (4.65 x 1.38 x 3.43 in.) Height with mounting tabs 138 mm (5.43 in.)
Slot width	1
Module location	DIN rail or panel mount
Power supply	1769-PA2, 1769-PB2, 1769-PA4, 1769-PB4
Power supply distance rating	4 modules
Recommended cable	Belden 8761, shielded
Serial port connectors	Two DB-9 male with pins
Wire category	2 - on communication ports ⁽¹⁾
Vendor ID code	1
Product type code	109
Product code	66
Input words	108
Output words	108
Configuration words	31
Enclosure type rating	None (open style)

(1) Use this conductor category information for planning conductor routing as described in the system level installation manual. See the Industrial Automation Wiring and Grounding Guidelines, publication [1770-4.1](#).

Table 104 - Certifications - 1769-ASCII

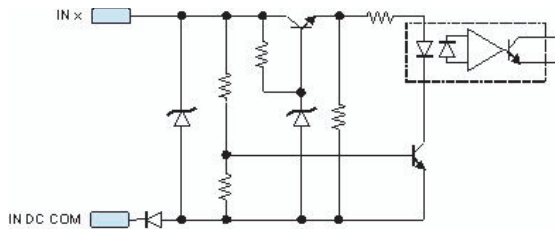
Certification ⁽¹⁾	1769-ASCII
c-UL-us	UL Listed for Class I, Division 2 Group A,B,C,D Hazardous Locations, certified for U.S. and Canada.
CE	European Union 89/335/EEC EMC Directive, compliant with: <ul style="list-style-type: none"> EN 50082-2; Industrial Immunity EN 61326; Meas./Control/Lab., Industrial Requirements EN 61000-6-2; Industrial Immunity EN 61000-6-4; Industrial Emissions
C-Tick	<ul style="list-style-type: none"> Australian Radiocommunications Act, compliant with: AS/NZS CISPR 11; Industrial Emissions

(1) When marked. See the Product Certification link at <http://www.ab.com> for Declarations of Conformity, Certificates, and other certification details.

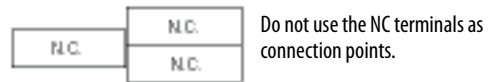
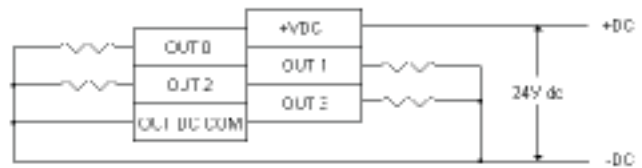
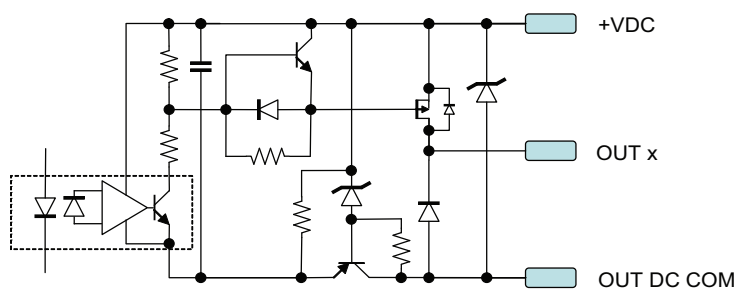
1769-BOOLEAN

Compact combination 24V DC sink input/source output BOOLEAN control module

Simplified Input Schematic



Simplified Output Schematic



Do not use the NC terminals as connection points.

Table 105 - Technical Specifications - 1769-BOOLEAN

Attribute	1769-BOOLEAN
Current draw @ 5.1V	220 mA
Current draw @ 24V	0 mA
Heat dissipation, max	3.55 W
Closed loop time	Output on-state current ≥ 5 mA: 100 μ s max Output on-state current < 5 mA: 150 μ s max
Isolation voltage	Verified by one of the following dielectric tests: 1200V AC for 1 s or 1697V DC for 1 s 75V DC working voltage (IEC Class 2 reinforced insulation)
Weight, approx	282 g (0.625 lb)
Dimensions (HxWxD), approx	118 x 35 x 87 mm (4.65 x 1.38 x 3.43 in.) Height with mounting tabs 138 mm (5.43 in.)
Slot width	1
Module location	DIN rail or panel mount
Power supply	1769-PA2, 1769-PB2, 1769-PA4, 1769-PB4
Power supply distance rating	8 modules

Table 105 - Technical Specifications - 1769-BOOLEAN

Attribute	1769-BOOLEAN
Terminal screw torque	0.68 N•m (6 lb•in)
Retaining screw torque	0.46 N•m (4.1 lb•in)
Wire size	(22...14 AWG) solid (22...16 AWG) stranded
Wire type	Cu-90 °C (194 °F)
Vendor ID code	1
Product type code	109
Product code	37
Enclosure type rating	None (open-style)

Table 106 - 1769-BOOLEAN Input Specifications

Attribute	1769-BOOLEAN
Inputs	8 real 8 virtual
Voltage category	24V AC sinking
Operating voltage range	10...30V DC @ 30 °C (86 °F) 10...26V DC @ 60 °C (140 °F)
Digital filter, off to on	0 s, 100 µs, 200 µs, 500 µs, 1 ms, 2 ms, 4 ms, 8 ms
Digital filter, on to off	0 s, 100 µs, 200 µs, 500 µs, 1 ms, 2 ms, 4 ms, 8 ms
Input delay, off to on	10 µs
Input delay, on to off	10 µs
Current draw @ 5.1V	115 mA
Off-state voltage, max	5V DC
Off-state current, max	1.5 mA
On-state voltage, min	10V DC
On-state current, min	2 mA
Inrush current, max ⁽¹⁾	250 mA
Input impedance, max	2.0 kΩ @ 24V DC 2.3 kΩ @ 30V DC
IEC input compatibility	Type 1+
Isolation voltage	Verified by one of the following dielectric tests: 1200V AC for 1 s or 1697V DC for 1 s, input point to bus 75V DC working voltage (IEC Class 2 reinforced insulation)

(1) A current limiting resistor can be used to limit inrush current; however, the operating characteristics of the AC input circuit will be affected. If a 6.8 kΩ (2.5 W minimum) resistor is placed in series with the input, the inrush current is reduced to 35 mA. In this configuration the minimum on-state voltage increases to 92V AC. Before adding the resistor in a hazardous environment, be sure to consider the operating temperature of the resistor and the temperature limits of the environment. The operating temperature of the resistor must remain below the temperature limit of the environment.

Table 107 - 1769-BOOLEAN Output Specifications

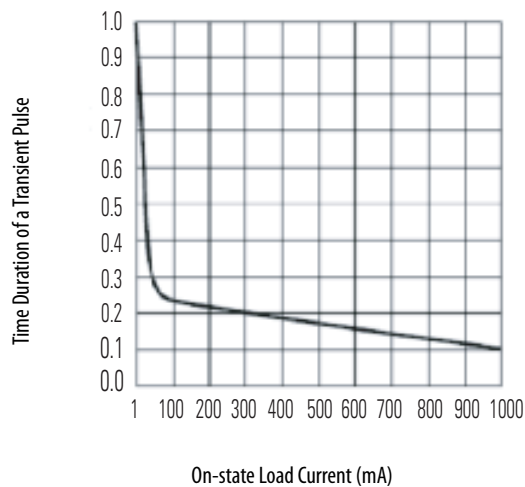
Attribute	1769-BOOLEAN
Outputs	4
Voltage category	24V DC, sourcing
Operating voltage range	20.4 . . . 26.4V DC
Output delay, on ⁽¹⁾	10 μ s, output on-state current \geq 5 mA
Output delay, off ⁽¹⁾	10 μ s, output on-state current \geq 5 mA
Off-state leakage current, max ⁽²⁾	1.0 mA @ 26.4V DC
On-state current, max	1.0 mA
On-state voltage drop, max	1.0V DC @ 1 A
Current per point, max	0.5 A @ 60 °C (140 °F) 1.0 A @ 30 °C (86 °F)
Surge current ⁽³⁾	2 A for 10 ms, repeatable every 2 s
Isolation voltage	Verified by one of the following dielectric tests: 1200V AC for 1 s or 1697V DC for 1 s, output point to bus 75V DC working voltage (IEC Class 2 reinforced insulation)

(1) Triac outputs turn on and off at AC line zero cross.

(2) To limit the effects of leakage current through solid state outputs, a loading resistor can be connected in parallel with your load. For 120V AC operation, use a 15 k Ω , 2 W resistor. For 240V AC operation use a 5 k Ω , 5 W resistor.

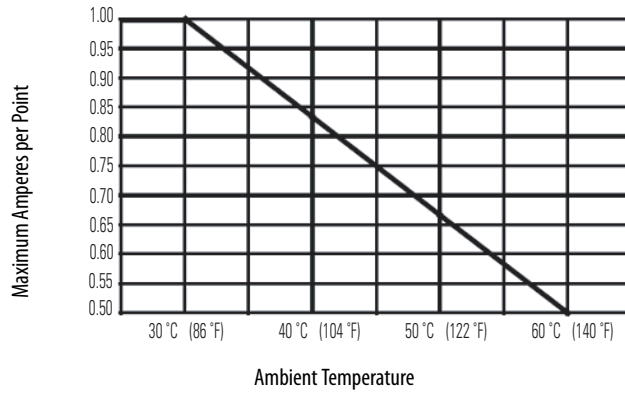
(3) Connecting surge suppressors across your external load will extend the life of the triac outputs.

Transistor Output Transient Pulses - 1769-BOOLEAN



Temperature Derating - 1769-B00LEAN

1769-B00LEAN Maximum Amperes per Point versus Temperature



1769-B00LEAN Maximum Amperes per Module versus Temperature

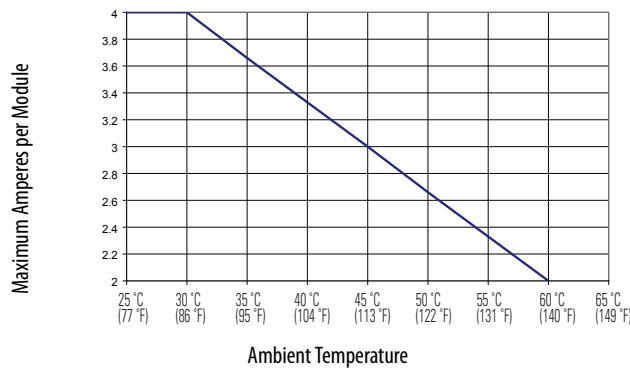


Table 108 - Certifications - 1769-B00LEAN

Certification ⁽¹⁾	1769-B00LEAN
c-UL	C-UL certified (under CSA C22.2 No. 142) UL 508 listed Class I, Division 2 Group A,B,C,D Hazardous Locations (UL 1604, C-UL under CSA C22.2 No. 213)
CE	CE compliant for all applicable directives
C-Tick	C-Tick compliant for all applicable directives Australian Radiocommunications Act, compliant with: <ul style="list-style-type: none"> AS/NZS CISPR 11; Industrial Enclosure

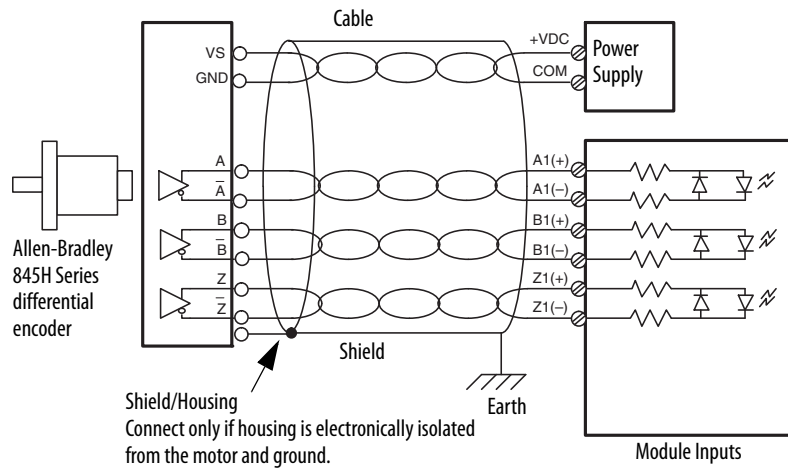
(1) When marked. See the Product Certification link at <http://www.ab.com> for Declarations of Conformity, Certificates, and other certification details.

1769-HSC

Compact high-speed counter module

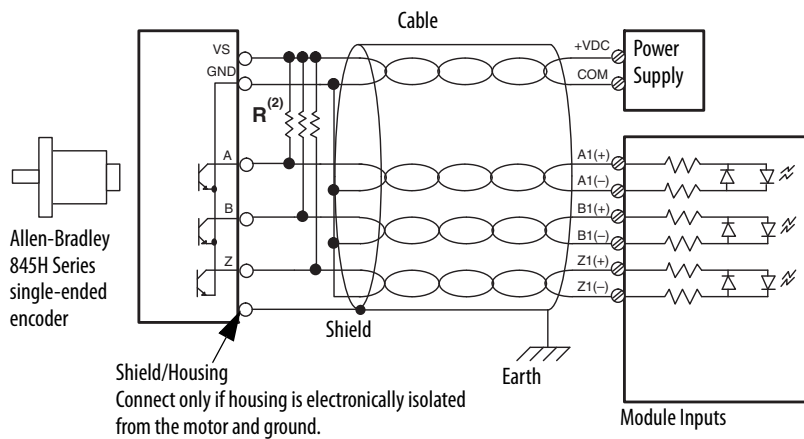
Differential Encoder Wiring

See the encoder manual for proper cable type. The type of cable used should be twisted pair, individually shielded cable with a maximum length of 300 m (1000 ft).



Single-ended Encoder Wiring

See the encoder manual for proper cable type. The type of cable used should be twisted pair, individually shielded cable with a maximum length of 300 m (1000 ft).



External resistors are required if they are not internal to the encoder. The pull-up resistor (R) value depends on the power supply value. To calculate the maximum resistor value, the following formula:

$$R = \frac{(V_{dc} - V_{min})}{I_{min}}$$

where:

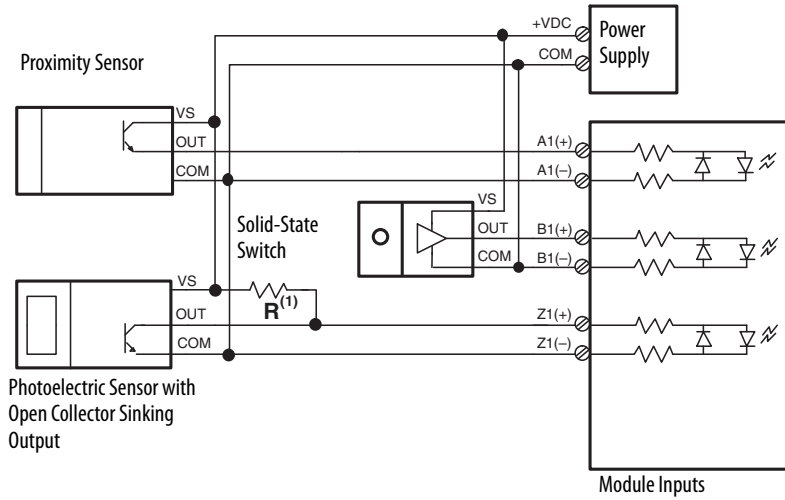
- R = maximum pull-up resistor value
- VDC = power supply voltage
- Vmin = 2.6V DC
- min = 6.8 mA

Power Supply Voltage (V DC)	Pull-up Resistor Value Max (R) ⁽¹⁾
5V DC	352 Ω
12V DC	1382 Ω
24V DC	3147 Ω

(1) Resistance values may change, depending upon your application.

The minimum resistor (R) value depends on the current sinking capability of the encoder.

Discrete Device Wiring



External resistors are required if they are not internal to the encoder. The pull-up resistor (R) value depends on the power supply value. To calculate the maximum resistor value, the following formula:

$$R = \frac{(Vdc - Vmin)}{Imin}$$

where:

- R = maximum pull-up resistor value
- VDC = power supply voltage
- Vmin = 2.6V DC
- min = 6.8 mA

Power Supply Voltage (V DC)	Pull-up Resistor Value Max (R) ⁽¹⁾
5V DC	352 Ω
12V DC	1382 Ω
24V DC	3147 Ω

(1) Resistance values may change, depending upon your application.

The minimum resistor (R) value depends on the current sinking capability of the encoder.

Output Wiring

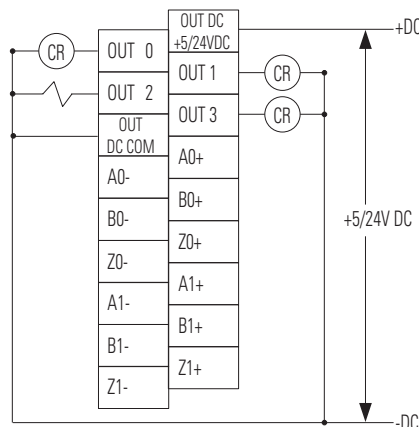


Table 109 - Technical Specifications - 1769-HSC

Attribute	1769-HSC
Bus current draw	425 mA, 5V DC 0 mA, 24V DC
Heat dissipation, max	6.21 W, the Watts per point, plus the min Watts, with all points energized
Isolation voltage	75V (continuous), reinforced insulation type, channel-to-system and channel-to-channel Type tested at 1200V AC for 2 s
Weight, approx	309 g (0.681 lb)
Dimensions (HxWxD), approx	118 x 35 x 87 mm (4.65 x 1.38 x 3.43 in.) Height with mounting tabs 138 mm (5.43 in.)
Slot width	1
Module location	DIN rail or panel mount
Power supply	1769-PA2, 1769-PB2, 1769-PA4, 1769-PB4
Power supply distance rating	4 modules
Terminal screw torque	0.68 N•m (6 lb•in)
Retaining screw torque	0.46 N•m (4.1 lb•in)
Wire size	0.32...2.1 mm ² (22...14 AWG) solid copper wire or 0.32...1.3 mm ² (22...16 AWG) stranded copper wire rated at 90 °C (194 °F) insulation max
Wire type	Cu-90 °C (194 °F)
Recommended cable	Individually shielded, twisted-pair cable (or the type recommended by the encoder or sensor manufacturer)
Wiring Category ⁽¹⁾	2 - on signal ports
Vendor ID code	1
Product type code	109
Product code	19
Enclosure type rating	None (open-style)

(1) Use this Conductor Category information for planning conductor routing. Refer to the Industrial Automation Wiring and Grounding Guidelines, publication [1770-4.1](#).

Table 110 - 1769-HSC Input Specifications

Attribute	1769-HSC
Inputs	2 quadrature (ABZ) differential inputs
Input voltage range ⁽¹⁾	2.6...30V DC
On-state voltage, max	30V DC
On-state voltage, min	2.6V DC
On-state current, min	6.8 mA
Off-state voltage, max	1.0V DC
Off-state current, max	1.5 mA
Off-state leakage current, max	1.5 mA
Input current, max	15 mA
Input current, min	6.8 mA
Input impedance	1950 Ω
Pulse width, min	250 ns

Table 110 - 1769-HSC Input Specifications

Attribute	1769-HSC
Phase separation, min	131 ns
Input frequency, max	1 MHz
Isolation voltage	Verified by one of the following dielectric tests: 1200V AC or 1697V DC for 1 s, input to bus and input to input 75V DC working voltage (IEC Class 2 reinforced insulation)

(1) See Compact I/O Modules Installation Instructions, publication [1769-IN088](#).

Table 111 - 1769-HSC Output Specifications

Attribute	1769-HSC
Outputs	16 total, 4 physical and 12 virtual
Output voltage range	5...30V DC
On-state voltage, max	User power - 0.1V DC
On-state output current per point, max	1 A, 30V DC, 40 °C 0.5A, 5V DC, 60 °C
On-state output current per module, max	4 A, 30V DC, 40 °C 2A, 5V DC, 60 °C
On-state output current, min	1 mA
On-state voltage drop, max	0.5V DC
Off-state leakage current, max	5 µA
Turn-on time, max	400 µs ⁽¹⁾
Turn-off time, max	200 µs
Reverse polarity protection	30V DC
Isolation voltage	Verified by one of the following dielectric tests: 1200V AC or 1697V DC for 1 s, output to bus 75V DC working voltage (IEC Class 2 reinforced insulation)

(1) Maximum turn-on time applies to output voltage range of 5...7V DC. For output voltages greater than 7V DC, the maximum turn-on time is 200 µs.

Table 112 - Environmental Specifications - 1769-HSC

Attribute	1769-HSC
Temperature, operating IEC 60068-2-1 (Test Ad, Operating Cold), IEC 60068-2-2 (Test Bd, Operating Dry Heat), IEC 60068-2-14 (Test Nb, Operating Thermal Shock)	0...60 °C (32...140 °F)
Temperature, surrounding air, max	40 °C (104 °F)
Temperature, nonoperating IEC 60068-2-1 (Test Ab, Unpackaged Nonoperating Cold), IEC 60068-2-2 (Test Bb, Unpackaged Nonoperating Dry Heat), IEC 60068-2-14 (Test Na, Unpackaged Nonoperating Thermal Shock)	-40...85 °C (-40...185 °F)
Relative humidity IEC 60068-2-30 (Test Db, Unpackaged Damp Heat)	5...95% noncondensing
Vibration, operating IEC 60068-2-6 (Test Fc, Operating)	5 g @ 10...500 Hz, peak-to-peak
Vibration, relay operation IEC 60068-2-6	2 g @ 10...500 Hz ⁽¹⁾

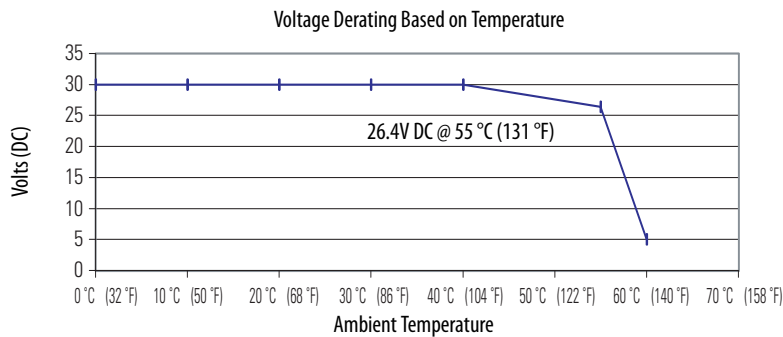
Table 112 - Environmental Specifications - 1769-HSC

Attribute	1769-HSC
Shock, operating IEC 60068-2-27 (Test Ea, Unpackaged Shock)	30 g, 11 ms panel mounted 20 g, 11 ms DIN rail mounted
Shock, nonoperating IEC 60068-2-27 (Test Ea, Unpackaged Shock)	40 g, panel mounted 30 g, DIN rail mounted
Emissions CISPR 11	Group 1, Class A
ESD immunity IEC 61000-4-2	6 kV contact discharges 8 kV air discharges
Radiated RF immunity IEC 61000-4-3	10V/m with 1 kHz sine-wave 80% AM from 80...2000 MHz 10V/m with 200 Hz 50% Pulse 100% AM at 900 and 1890 MHz 10V/m with 1 kHz sine-wave 80% AM from 2000...2700 MHz
EFT/B immunity IEC 61000-4-4	±2 kV at 5 kHz on power ports ±2 kV at 5 kHz on signal ports
Surge transient immunity IEC 61000-4-5	±1 kV line-line (DM) and ±2 kV line-earth (CM) on power ports ±1 kV line-line (DM) and ±2 kV line-earth (CM) on signal ports ±1 kV line-earth (CM) on shielded ports
Conducted RF immunity IEC 61000-4-6	10V rms with 1 kHz sine-wave 80% AM from 150 kHz...80 MHz

(1) This rating applies for your system if a relay module, such as the 1769-0W8, is used.

Temperature Derating - 1769-HSC

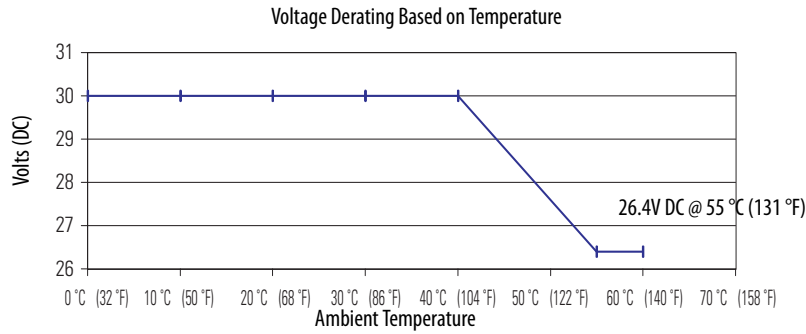
Maximum Input Voltage - 24V DC Operation



Temperature	Derated Voltage ⁽¹⁾
0...40 °C (32...104 °F)	30V DC
55 °C (131 °F)	26.4V DC
60 °C (140 °F)	5V DC

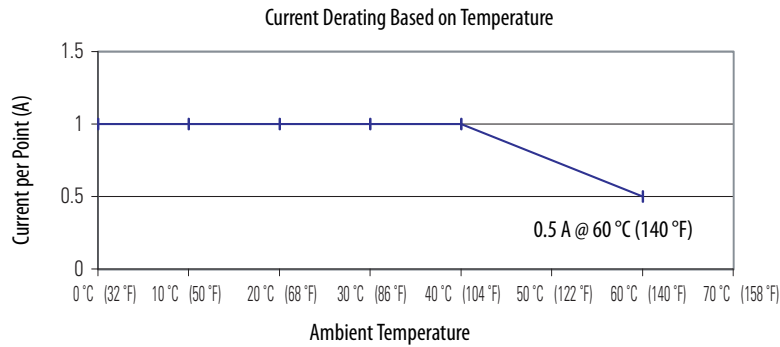
(1) Input voltage derating between 55°C and 60°C is achieved by using a dropping resistor.
 For 24V DC input voltage, use a 2.4 kΩ, ½ Watt resistor.
 For input voltages other than 24V DC, use a ½ Watt resistor with value: 125 x (V_{in} - 5V).

Maximum Output Voltage - 24V DC Operation



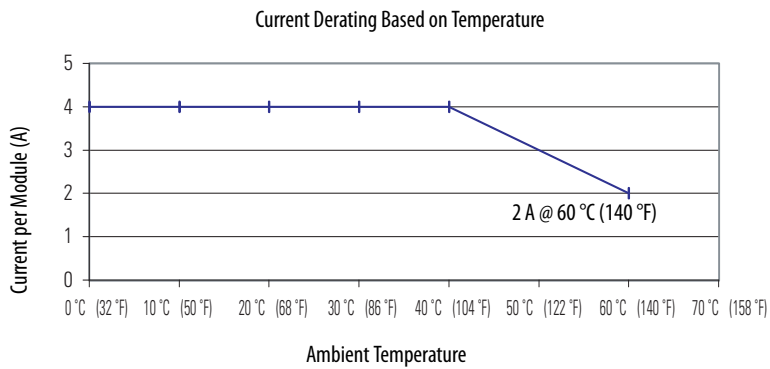
Temperature	Derated Voltage
0...40 °C (32...104 °F)	30V DC
55...60 °C (131...140 °F)	26.4V DC

Maximum Output Current per Point - 5V DC Operation



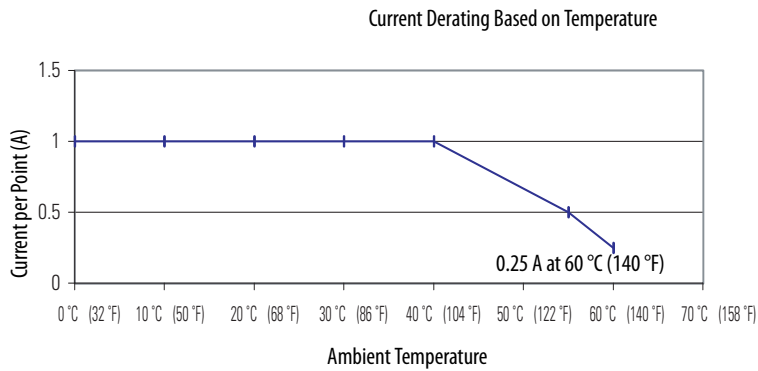
Temperature	Derated Current
0...40 °C (32...104 °F)	1 A
60 °C (140 °F)	0.5 A

Maximum Output Current per Module - 5V DC Operation



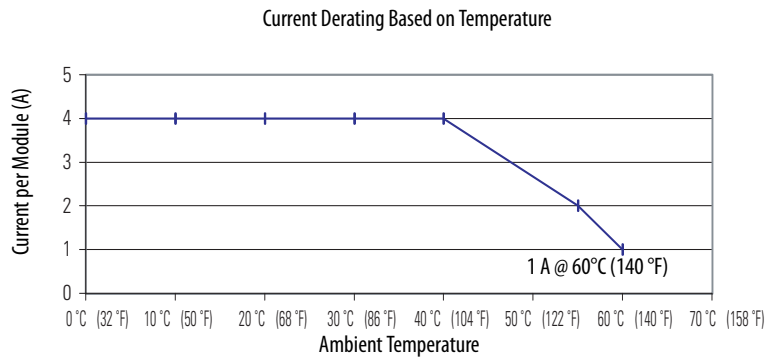
Temperature	Derated Current
0...40 °C (32...104 °F)	4 A
60 °C (140 °F)	2 A

Maximum Output Current per Point - 24V DC Operation



Temperature	Derated Current
0...40 °C (32...104 °F)	1 A
55 °C (131 °F)	0.5 A
60 °C (140 °F)	0.25 A

Maximum Output Current per Module - 24V DC Operation



Temperature	Derated Current
0...40 °C (32...104 °F)	4 A
55 °C (131 °F)	2 A
60 °C (140 °F)	1 A

Table 113 - Certifications - 1769-HSC

Certification ⁽¹⁾	1769-HSC
c-UL-us	UL Listed Industrial Control Equipment, certified for U.S. and Canada. See UL File E65584
c-UL-us	UL Listed for Class I, Division 2 Group A,B,C,D Hazardous Locations, certified for U.S. and Canada. See UL File E321922
CE	European Union 2004/108/EC EMC Directive, compliant with: <ul style="list-style-type: none"> EN 61000-6-2; Industrial Immunity EN 61000-6-4; Industrial Emissions EN 61131-2; Programmable Controllers (Clause 8, Zone A & B)
C-Tick	Australian Radiocommunications Act, compliant with: <ul style="list-style-type: none"> AS/NZS CISPR 11; Industrial Emissions

(1) When marked. See the Product Certification link at <http://www.ab.com> for Declarations of Conformity, Certificates, and other certification details.

Compact I/O Accessories

Category	Cat. No.	Description
End cap	1769-ECL	Left-end cap for Compact I/O system
	1769-ECR	Right-end cap for Compact I/O system
Expansion cable	1769-CLL1	Left bank-to-left bank expansion 305 mm (1 ft)
	1769-CLL3	Left bank-to-left bank expansion 1 m (3.28 ft)
	1769-CRR1	Right bank-to-right bank expansion 305 mm (1 ft)
	1769-CRR3	Right bank-to-right bank expansion 1 m (3.28 ft)
	1769-CRL1	Right bank-to-left bank expansion 305 mm (1 ft)
	1769-CRL3	Right bank-to-left bank expansion 1 m (3.28 ft)
Replacement terminal block	1769-RTBN10	10-pin NEMA terminal block
	1769-RTBN18	18-pin NEMA terminal block
Replacement door labels	1769-RL1	Replacement door labels for digital I/O, 2 per kit
	1769-RL2	Replacement door labels for analog and specialty I/O, 2 per kit
Replacement doors	1769-RD	Door replacement kit, 2 per kit
Replacement connector kit	1746-N3	Connector kit to terminate a cable which connects field I/O devices to 32-point I/O modules, 1 connector and 40 terminals

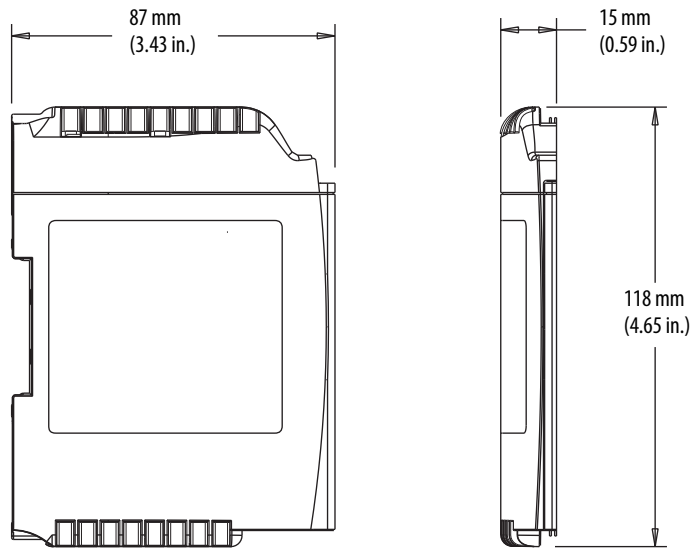
End Caps

The final I/O bank in Compact system needs an end cap on the end without the expansion cable. The 1769-L23x controller comes with a right-end cap, so you do not need to order one separately.

Table 114 - Technical Specifications - 1769-ECL, 1769-ECR

Attribute	1769-ECL	1769-ECR
Current draw @ 5.1V	5 mA	
Current draw @ 24V	0 mA	
Weight, approx	130 g (0.286 lb)	
Location	Left end	Right end
North American temperature code	T3C	
IEC temperature code	N/A	T4
Enclosure type rating	None (open-style)	None (open-style)

Mounting Dimensions - 1769-ECL



Mounting Dimensions - 1769-ECR

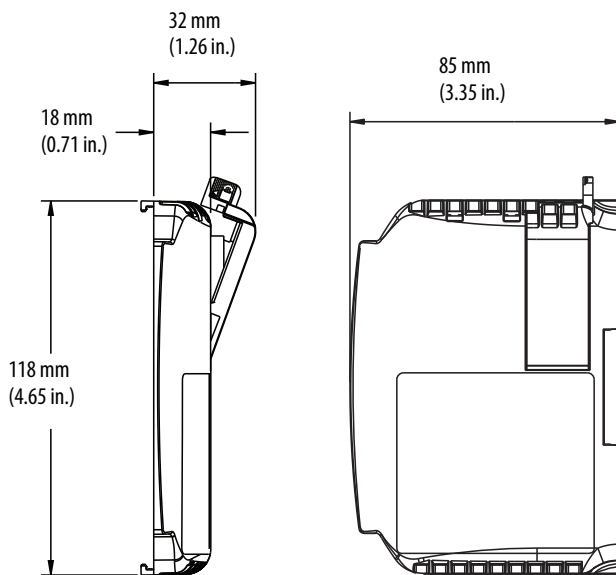


Table 115 - Certifications - 1769-ECL, 1769-ECR

Certification ⁽¹⁾	1769-ECL	1769-ECR
c-UL	UL Listed for Class I, Division 2 Group A, B, C, D Hazardous Locations, certified for U.S. and Canada. See UL File E10314	
CE	European Union 2004/108/EC EMC Directive, compliant with: <ul style="list-style-type: none"> EN 61000-6-2; Industrial Immunity EN 61000-6-4; Industrial Emissions 	
C-Tick	Australian Radiocommunications Act, compliant with: <ul style="list-style-type: none"> AS/NZS CISPR 11; Industrial Enclosure 	—
ATEX	—	European Union 94/9/EC ATEX Directive, compliant with: <ul style="list-style-type: none"> EN 60079-15; Potentially Explosive Atmospheres, Protection “n” (II 3 G Ex nA IIC T4 X) EN 60079-0; General Requirements (Zone 2)

(1) When marked. See the Product Certification link at <http://www.ab.com> for Declarations of Conformity, Certificates, and other certification details.

Expansion Cables

The 1769-CLL_x, -CRR_x, and -CRL_x cables extend the 1769 bus communication lines. A maximum of two cables can be used in a 1769 system, allowing for three groups or banks of I/O modules. Each bank requires its own power supply.

**Table 116 -
Table 117 - Technical Specifications - 1769-CLL_x, 1769-CRR_x, 1769-CRL_x**

Attribute	1769-CLL1, 1769-CRR1, 1769-CRL1	1769-CLL3, 1769-CRR3, 1769-CRL3
Weight, approx	300 g (0.66 lb)	350 g (0.77 lb)
Length	305 mm (1 ft)	1 m (3.28 ft)

Dimensions - 1769-CLLx, 1769-CRRx, 1769-CRLx

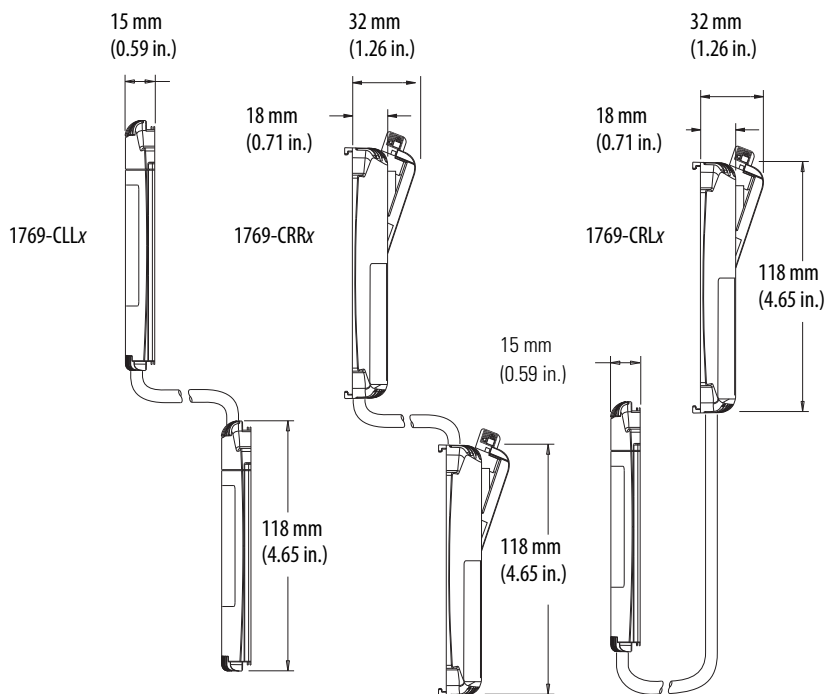


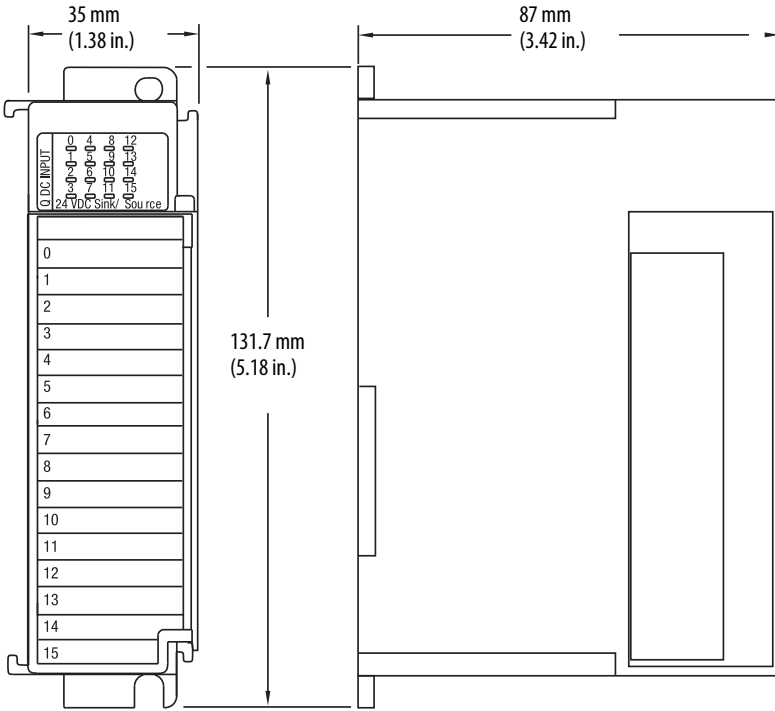
Table 118 - Certifications - 1769-CLLx, 1769-CRRx, 1769-CRLx

Certification ⁽¹⁾	1769-CLLx, 1769-CRRx, 1769-CRLx
c-UL	C-UL certified (under CSA C22.2 No. 142) UL 508 listed Class I, Division 2 Group A,B,C,D Hazardous Locations (UL 1604, C-UL under CSA C22.2 No. 213)
CE	CE compliant for all applicable directives
C-Tick	C-Tick compliant for all applicable directives Australian Radiocommunications Act, compliant with: • AS/NZS CISPR 11; Industrial Enclosure

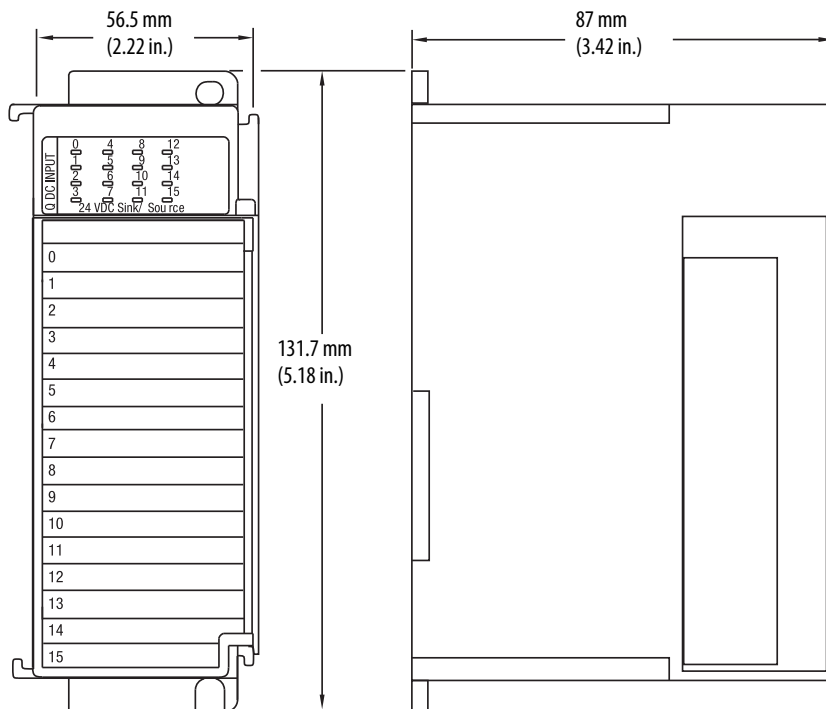
(1) When marked. See the Product Certification link at <http://www.ab.com> for Declarations of Conformity, Certificates, and other certification details.

Compact I/O Mounting Dimensions

Single 1769 Slot Dimensions



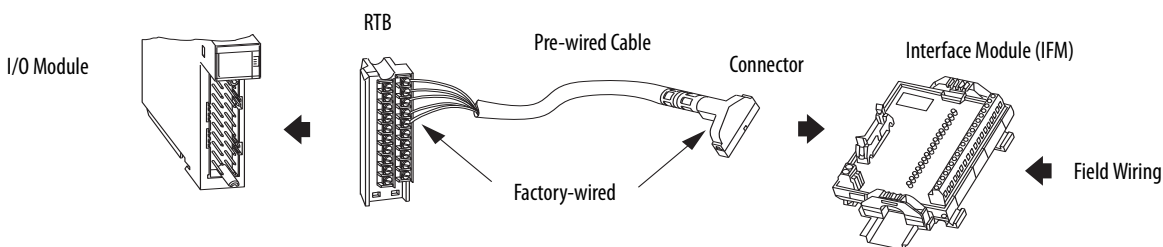
One-and-a-half 1769 Slot Dimensions



Wiring Systems

As an alternative to buying removable terminal blocks (RTBs) and connecting the wires yourself, you can buy a wiring system of:

- interface modules (IFMs) that provide the output terminal blocks for digital I/O modules. Use the pre-wired cables that match the I/O module to the IFM.
- analog interface modules (AIFMs) that provide the output terminal blocks for analog I/O modules. Use the pre-wired cables that match the I/O module to the AIFM.
- I/O module-ready cables. One end of the cable assembly is an RTB that plugs into the front of the I/O module. The other end has individually color-coded conductors that connect to a standard terminal block.



Additional Resources

These documents contain additional information concerning related products from Rockwell Automation.

Resource	Description
Compact I/O Modules Installation Instructions, publication 1769-IN088	Provides installation instructions for all 1769 Compact I/O modules.
Industrial Automation Wiring and Grounding Guidelines, publication 1770-4.1	Provides general guidelines for installing a Rockwell Automation industrial system.
Product Certifications website, http://www.ab.com	Provides declarations of conformity, certificates, and other certification details.

You can view or download publications at <http://www.rockwellautomation.com/literature/>. To order paper copies of technical documentation, contact your local Allen-Bradley distributor or Rockwell Automation sales representative.

Notes:

Important User Information

Read this document and the documents listed in the additional resources section about installation, configuration, and operation of this equipment before you install, configure, operate, or maintain this product. Users are required to familiarize themselves with installation and wiring instructions in addition to requirements of all applicable codes, laws, and standards.

Activities including installation, adjustments, putting into service, use, assembly, disassembly, and maintenance are required to be carried out by suitably trained personnel in accordance with applicable code of practice.

If this equipment is used in a manner not specified by the manufacturer, the protection provided by the equipment may be impaired.

In no event will Rockwell Automation, Inc. be responsible or liable for indirect or consequential damages resulting from the use or application of this equipment.

The examples and diagrams in this manual are included solely for illustrative purposes. Because of the many variables and requirements associated with any particular installation, Rockwell Automation, Inc. cannot assume responsibility or liability for actual use based on the examples and diagrams.

No patent liability is assumed by Rockwell Automation, Inc. with respect to use of information, circuits, equipment, or software described in this manual.

Reproduction of the contents of this manual, in whole or in part, without written permission of Rockwell Automation, Inc., is prohibited.

Documentation Feedback

Your comments will help us serve your documentation needs better. If you have any suggestions on how to improve this document, complete this form, publication [RA-DU002](#), available at <http://www.rockwellautomation.com/literature/>.

Allen-Bradley, Rockwell Software, Rockwell Automation, Compact I/O, CompactLogix, MicroLogix, and LISTEN. THINK. SOLVE are trademarks of Rockwell Automation, Inc.
Trademarks not belonging to Rockwell Automation are property of their respective companies.

Rockwell Otomasyon Ticaret A.Ş., Kar Plaza İş Merkezi E Blok Kat:6 34752 İçerenköy, İstanbul, Tel: +90 (216) 5698400

www.rockwellautomation.com

Power, Control and Information Solutions Headquarters

Americas: Rockwell Automation, 1201 South Second Street, Milwaukee, WI 53204-2496 USA, Tel: (1) 414.382.2000, Fax: (1) 414.382.4444
Europe/Middle East/Africa: Rockwell Automation NV, Pegasus Park, De Kleetlaan 12a, 1831 Diegem, Belgium, Tel: (32) 2 663 0600, Fax: (32) 2 663 0640
Asia Pacific: Rockwell Automation, Level 14, Core F, Cyberport 3, 100 Cyberport Road, Hong Kong, Tel: (852) 2887 4788, Fax: (852) 2508 1846

Publication 1769-TD006E-EN-P - January 2015

Supersedes Publication 1769-TD006D-EN-P - September 2013

Copyright © 2015 Rockwell Automation, Inc. All rights reserved. Printed in the U.S.A.